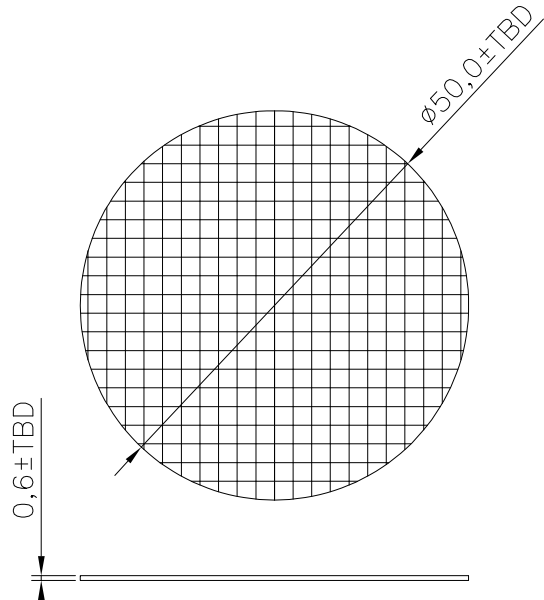


Approved by Linear Technology

TDK P/N: WT-505060-8K2-LT (Flexible Type)

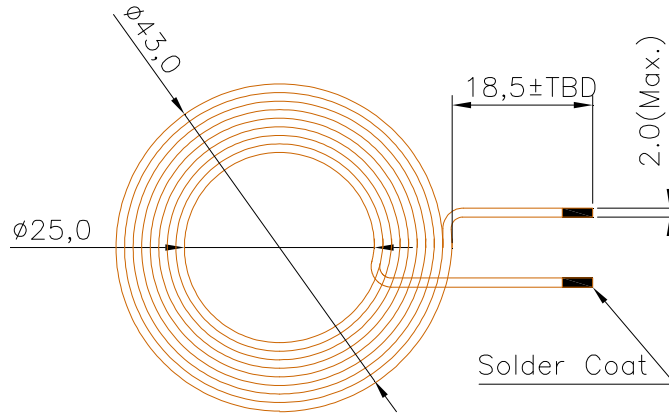


< Dimension for Ferrite sheet >

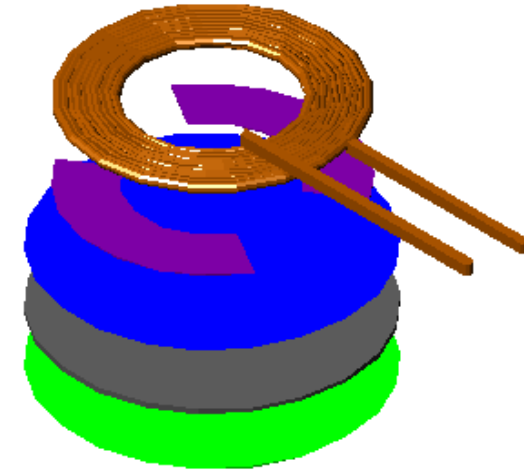


< Dimension for Coil >

- Coil Spec: 0.08mmx105 8Ts(1Layer)
(Type2 Wire)



< Structure >



< Electrical Characteristics >

- Ls: 4.95uH (Ref.), @100kHz
- Rdc: 0.03Ω (Ref.)
- Q value: 97(Ref.), @100KHz

< Thickness >

Unit:mm

Coil part	Thickness (TYP)	Thickness (MAX)
Coil	1.050	1.300
Adhesive Tape	0.030	0.040
PET Tape	0.030	0.035
FK2	0.600	TBD
PET Tape	0.030	0.035
Total	1.740	TBD

Unit:mm

Cross Wire part	Thickness (TYP)	Thickness (MAX)
Coil	1.050	1.300
Coil	1.050	1.300
Adhesive Tape	0.030	0.040
PET Tape	0.030	0.035
FK2	0.600	TBD
PET Tape	0.030	0.035
Total	2.790	TBD

