

THIS DRAWING IS UNPUBLISHED.

RELEASED FOR PUBLICATION

20

© COPYRIGHT 20

BY TYCO ELECTRONICS CORPORATION

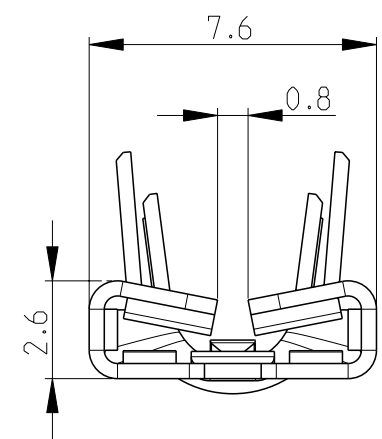
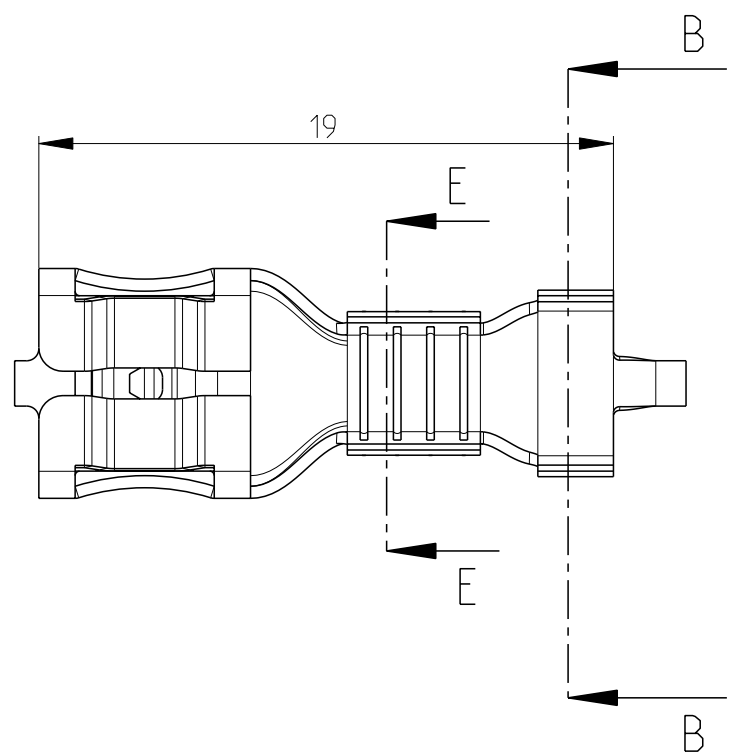
ALL RIGHTS RESERVED.

LOC - -

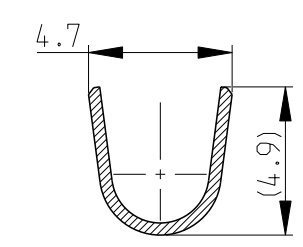
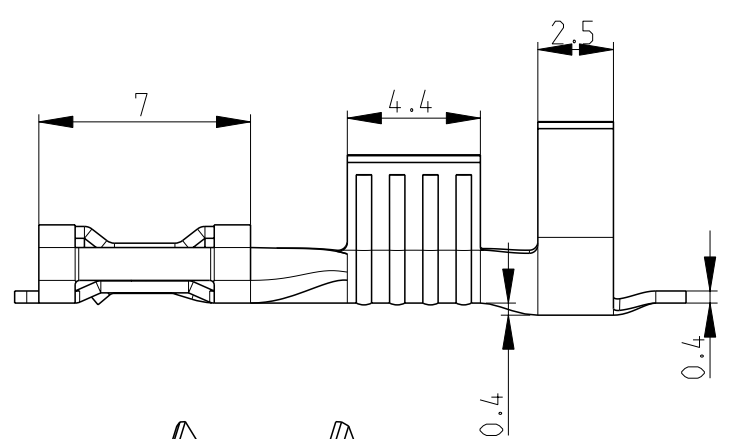
DIST - -

REVISIONS

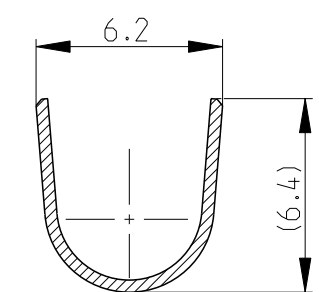
P	LTR	DESCRIPTION	DATE	DWN	APVD
	A	REV.A RELEASE BASED ON REV.3	23OCT2014	DL	TD
	A1	RELEASE PER ECR-14-018864	24DEC2014	DL	TD



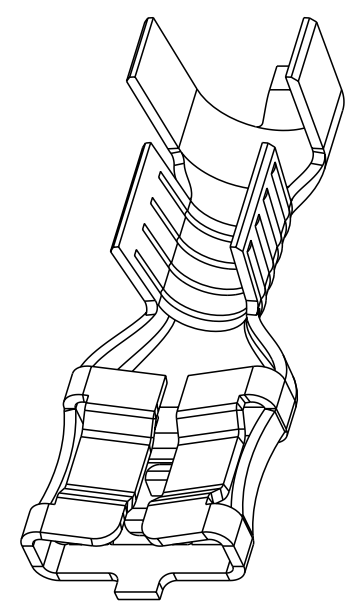
- NOTE:
- CONTINUOUS STRIP ON REELS
 - MATING TAB ACCORDING TO UL310 AND IEC61210 NORM. (WIDTH*THICKNESS IS 6.3*0.8mm)
 - WIRE SIZE IS #12-#10 AWG(3.3-5.3 sqmm)
 - INSULATION RANGE IS Ø3.6-5mm
 - CUT-OFF TAB LENGTH IS 0.5mm MAX.



SECTION E-E



SECTION B-B



Pre-NICKEL	Steel	2178301-1
FINISH	MATERIAL	PART NO.

THIS DRAWING IS A CONTROLLED DOCUMENT.		DWN VIBHUTHI 29NOV2012	TE Connectivity											
DIMENSIONS: mm		CHK SUBHASH M 29NOV2012												
TOLERANCES UNLESS OTHERWISE SPECIFIED:		APVD SURESH T N 29NOV2012												
<table border="0"> <tr><td>0 PLC</td><td>±0.5</td></tr> <tr><td>1 PLC</td><td>±0.5</td></tr> <tr><td>2 PLC</td><td>±0.25</td></tr> <tr><td>3 PLC</td><td>±</td></tr> <tr><td>4 PLC</td><td>±</td></tr> <tr><td>ANGLES</td><td>±°</td></tr> </table>		0 PLC			±0.5	1 PLC	±0.5	2 PLC	±0.25	3 PLC	±	4 PLC	±	ANGLES
0 PLC	±0.5													
1 PLC	±0.5													
2 PLC	±0.25													
3 PLC	±													
4 PLC	±													
ANGLES	±°													
MATERIAL SEE TABLE	FINISH SEE TABLE	PRODUCT SPEC 108-64027	SIZE A3	CAGE CODE 00779	DRAWING NO C-2178301	RESTRICTED TO -								
		APPLICATION SPEC 114-64027	SCALE 4:1		SHEET 1 OF 1	REV A1								
		WEIGHT -	CUSTOMER DRAWING											