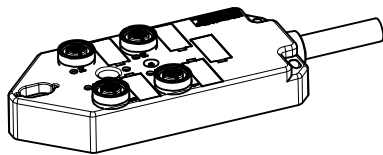
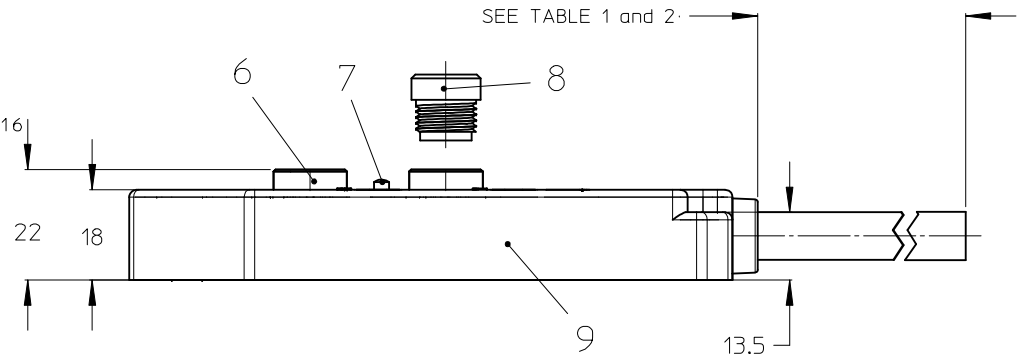
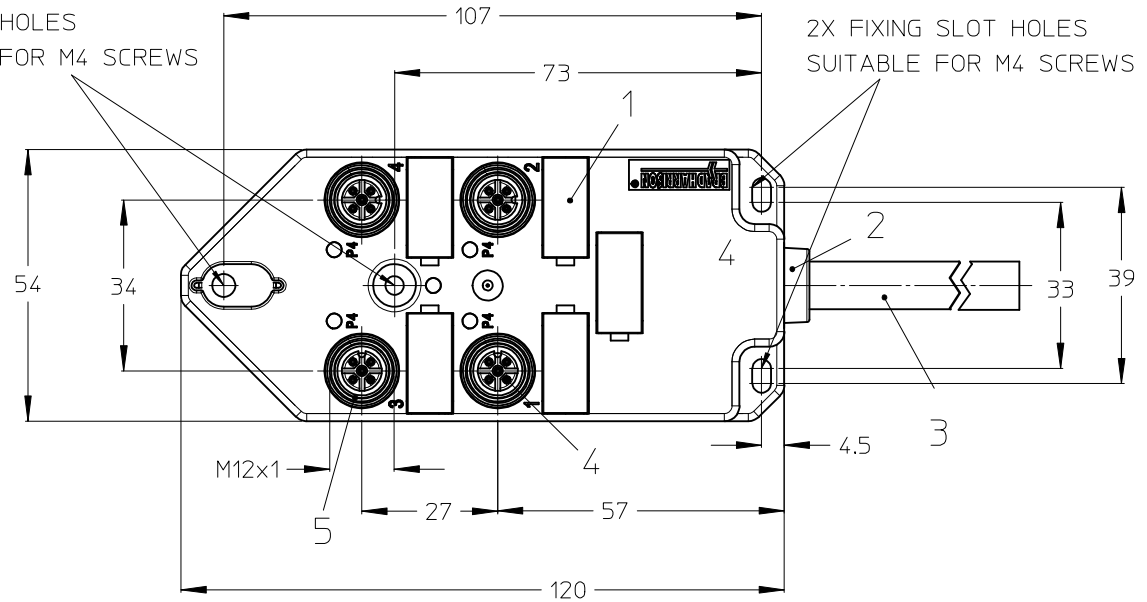


TABLE 1 BILL OF MATERIAL

ITEM	QTY	DESCRIPTION	MATERIAL	FINISH
1	5	LABEL	ABS	WHITE
2	1	CABLE PLATE	PBT	YELLOW
3	1	CABLE	SEE ENG. NO. MATRIX	SEE ENG. NO. MATRIX
4	16	CONTACT	BRASS	GOLD OVER NICKEL
5	4	O-RING	FPM	RED
6	4	SHELL	BRASS	NICKEL PLATET
7	5	LED	NON LED = PBT/ WITH LED = PA	NON LED=YELLOW/ WITH LED=TRANSPARENT
8	2	PROTECTING CAP	PP	BLACK
9	1	HOUSING	PBT	YELLOW

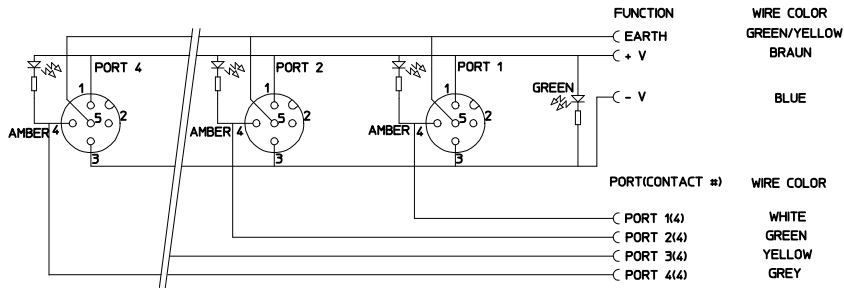
GENERAL CHARACTERISTICS

NOMINAL VOLTAGE: 10-30 V DC
 POLLUTION DEGREE: 3
 RATED CURRENT: 4 A PER PORT / 12 A MAX: TOTAL
 CONTACT RESISTANCE: $\leq 5 \text{ m}\Omega$
 ISULATION RESISTANCE: $> 10^8 \text{ OHM}$
 IP DEGREE OF PROTECTION: IP 67
 IP 68 REFER TO TEST SUMMARY TS-120005-016
 TEMPERATURE RANGE: -25°C to + 85°C
 (BOX ONLY)
 FLAMMABILITY:
 Insert: V0
 HOUSING: V0
 POTTING MATERIAL: V0

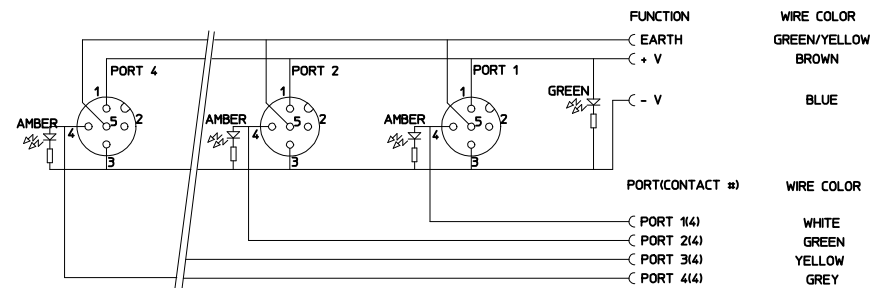


ENTER DESCRIPTION EC NO: IPG2014-0267 DRW:JULIETTE/MEIER/2013/09/24 CHK:DHS/ILLER 2013/09/25 APPR:CBURGER 2013/10/07	QUALITY SYMBOLS ▽=0 ▽=0	GENERAL TOLERANCES (UNLESS SPECIFIED)		DIMENSION STYLE MM ONLY		SCALE 1:1	DESIGN UNITS METRIC	THIRD ANGLE PROJECTION	
		4 PLACES \pm --- \pm ---	mm INCH	DRAWN BY LSG	DATE 2011/08/18	TITLE MPIS M12 PNP NPN NOS 4P 4PT AC FE STR PUR PVC XM			
		3 PLACES \pm --- \pm ---		CHECKED BY ZISMAYILOV	DATE 2011/12/14	molex			
		2 PLACES ± 0.1 \pm ---		APPROVED BY CBURGER	DATE 2011/12/20				
1 PLACE ± 0.2 \pm ---		MATERIAL NO. SEE TABLE 2		DOCUMENT NO. SD-120005-015	SHEET NO. 1 OF 3				
0 PLACE \pm --- \pm ---		DRAFT WHERE APPLICABLE MUST REMAIN WITHIN DIMENSIONS		THIS DRAWING CONTAINS INFORMATION THAT IS PROPRIETARY TO MOLEX INCORPORATED AND SHOULD NOT BE USED WITHOUT WRITTEN PERMISSION					

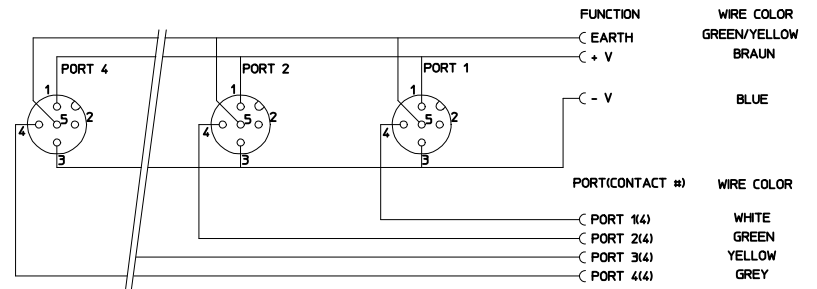
WIRING DIAGRAM SINGLE PORT NPN



WIRING DIAGRAM SINGLE PORT PNP



WIRING DIAGRAM SINGLE PORT NON LED



ENTER DESCRIPTION EC NO: IPG2014-0267 DRW:ULETTEWEIER 2013/09/24 CHKD:RSILLER 2013/09/25 APPR:CBURGER 2013/10/07	DESCRIPTION REV	QUALITY SYMBOLS	GENERAL TOLERANCES (UNLESS SPECIFIED)	DIMENSION STYLE	SCALE	DESIGN UNITS	THIRD ANGLE PROJECTION
		▼=0 ▽=0	mm INCH 4 PLACES ± --- ± --- 3 PLACES ± --- ± --- 2 PLACES ± 0.1 ± --- 1 PLACE ± 0.2 ± --- 0 PLACE ± --- ± ---	MM ONLY	1:1	METRIC	TITLE MPIS M12 PNP NPN NOS 4P 4PT AC FE STR PUR PVC XM molex DOCUMENT NO. SD-120005-015 SHEET NO. 2 OF 3
		ANGULAR ± 2 ° DRAFT WHERE APPLICABLE MUST REMAIN WITHIN DIMENSIONS	DRAWN BY LSG DATE 2011/08/18 CHECKED BY ZISMAYILOV DATE 2011/12/14 APPROVED BY CBURGER DATE 2011/12/20	MATERIAL NO.	SEE TABLE 2		
			THIS DRAWING CONTAINS INFORMATION THAT IS PROPRIETARY TO MOLEX INCORPORATED AND SHOULD NOT BE USED WITHOUT WRITTEN PERMISSION				

TABLE 2

MOLEX PN	ENG.NR.	LED	MOLEX P/N	ENG. NO	LED
1200051009	BTY400N-FBN-05	YES	1201148012	BTY400P-FBP-10	YES
1200051010	BTY400N-FBN-10	YES	1201140182	BTY400P-FBP-15	YES
1200051011	BTY400N-FBN-15	YES	1201148013	BTY400P-FBP-20	YES
1200051000	BTY400P-FBN-05	YES	1200550879	BTY400P-FBP-25	YES
1200051001	BTY400P-FBN-10	YES	1200550539	BTY400P-FBI-05	YES
1200051002	BTY400P-FBN-15	YES	1200550540	BTY400P-FBI-10	YES
1200050016	BTY400N-FBP-003	YES	1200550564	BTY400P-FBE-05	YES
1201148008	BTY400N-FBP-05	YES	1200550553	BTY400P-FBE-10	YES
1201148009	BTY400N-FBP-10	YES	1200550712	BTY400P-FBE-20	YES
1201148010	BTY400N-FBP-15	YES	1200550586	BTY4000-FBP-05	NO
1200050026	BTY400N-FBP-20	YES	1200550587	BTY4000-FBP-10	NO
1200550689	BTY400P-FBP-02	YES	1201140183	BTY4000-FBE-05	NO
1200050012	BTY400P-FBP-003	YES	1200550883	BTY400P-FBP-05-1	YES
1201148011	BTY400P-FBP-05	YES			

ENG. NO. MATRIX:

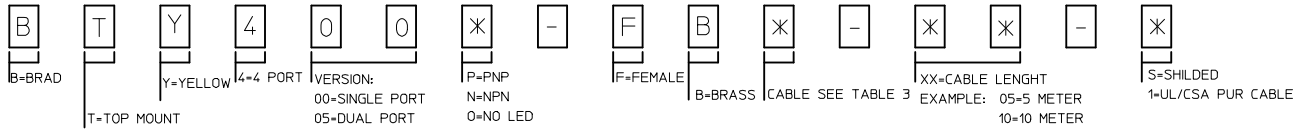


TABLE 3

CABLE	TEM. RANGE STATISCH	TEM. RANGE FLEXIBLE	CABLE DIAMETER (MM) SIGLE (4POLE) 4/6/8 PORT	CABLE DIAMETER (MM) DUAL (SPOLE) 4/6/8 PORT	DRAG CHAIN	UL STYLE
P=PUR/PVC/Black	-30°C TO +90°C	-5°C TO +90°C	8.4 ±0.2 / 9.5±0.2 / 9.5 ±0.2	9.5 ±0.2 / 9.8 ±0.2 / 11.4 ±0.2	1.5 MIO. CYCLES	-
P=PUR/PVC/Black/UL/CSA	-25°C TO +90°C	-	7.5 ± 0.2	8.6 ± 0.2	-	-
N=PVC/GREY	-	-10°C TO +80°C	8.4 ± 0.2	9.5 ± 0.2	10 MIO. CYCLES	2464
I=CEI/GREY	-5°C TO +70°C	-	8.4 ± 0.2	9.5 ± 0.2	-	-
E=PVC/YELLOW	-5°C TO +70°C	-	8.4 ± 0.2	9.5 ± 0.2	-	-

ENTER DESCRIPTION EC NO: IPG2014-0267 DRAWN:ULETTEMER 2013/09/24 CHKD:RSILLER 2013/09/25 APPR:CBURGER 2013/10/07 C1	QUALITY SYMBOLS ▽=0 ▽=0	GENERAL TOLERANCES (UNLESS SPECIFIED)		DIMENSION STYLE MM ONLY		SCALE 1:1	DESIGN UNITS METRIC	THIRD ANGLE PROJECTION	
		4 PLACES ± --- ± --- 3 PLACES ± --- ± --- 2 PLACES ± 0.1 ± --- 1 PLACE ± 0.2 ± --- 0 PLACE ± --- ± ---		DRAWN BY LSG DATE 2011/08/18 CHECKED BY ZISMAYILOV DATE 2011/12/14 APPROVED BY CBURGER DATE 2011/12/20		TITLE MPIS M12 PNP NPN NOS 4P 4PT AC FE STR PUR PVC XM			
		ANGULAR ± 2 ° DRAFT WHERE APPLICABLE MUST REMAIN WITHIN DIMENSIONS		MATERIAL NO. SEE TABLE 2		DOCUMENT NO. SD-120005-015		SHEET NO. 3 OF 3	
		THIS DRAWING CONTAINS INFORMATION THAT IS PROPRIETARY TO MOLEX INCORPORATED AND SHOULD NOT BE USED WITHOUT WRITTEN PERMISSION							