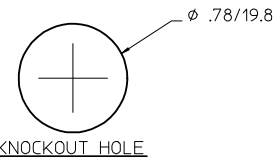
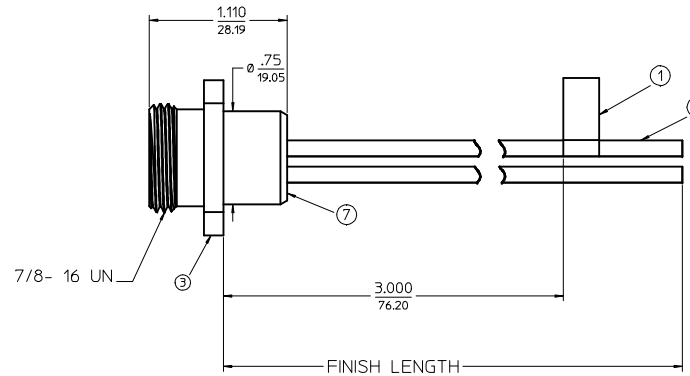
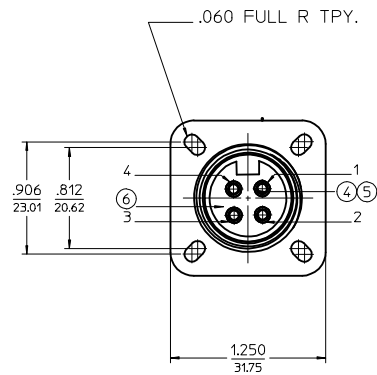
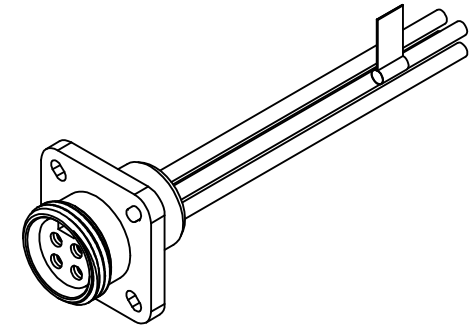


MATERIAL NUMBER	OLD PART NUMBER	FINISH LENGTH
130013-0403	1R4G04A20A1201	1.0'+.75"-0 [3M+19.1-0]

VOLTAGE RATING	600 VAC/VDC
AMPERAGE RATING	10A
PROJECTION	IP67
OPERATING TEMPERATURE	-20° C TO 105° C
UL CERTIFICATIONS	UL RECOGNIZED, FILE NO. E152210
CSA CERTIFICATIONS	CSA CERTIFIED, FILE NO. LR6837



WIRING DIAGRAM

- 1 → BLACK
- 2 → WHITE
- 3 → RED
- 4 → GREEN-YELLOW

ITEM.	QTY.	COMPONENT	MATERIAL	FINISH
1	1	FLAG LABEL	PLASTIC FILM	BLACK/YELLOW
2	4	CONDUCTOR-16 AWG, 26X#30 COPPER STRANDING 600V	PVC	SEE WIRING DIAGRAM
3	1	RECEPTACLE SHELL	STAINLESS STEEL	PASSIVATED
4	4	SOCKET SLEEVE	STAINLESS STEEL	
5	4	CONTACT SOCKET	COPPER ALLOY	GOLD PLATED
6	1	INSERT	PVC	YELLOW
7	1	POTTING	EPOXY	BLACK

RELEASED EC NO: WNA2010-0010 DRAWN: S.GARCIA 2009/07/02 CHECKED: B.WOODMAN APPR: J.MURPHY 2009/07/08 REV DESCRIPTION	QUALITY SYMBOLS	GENERAL TOLERANCES (UNLESS SPECIFIED)	DIMENSION STYLE	SCALE	DESIGN UNITS	THIRD ANGLE PROJECTION
	4 PLACES ±.--- ±.--- 3 PLACES ±.--- ±.005 2 PLACES ±0.013 ±.010 1 PLACE ±0.25 ±.--- ANGULAR ±1/2°	IN/MM 2:1 INCH	INCH DATE 2009/07/02 DATE 2009/07/02 DATE	S. GARCIA B. WOODMAN J. MURPHY	FR RECEPTACLE MOLEX INCORPORATED SD-130013-009	SHEET NO. 1 OF 1
DRAFT WHERE APPLICABLE MUST REMAIN WITHIN DIMENSIONS		SEE CHART		THIS DRAWING CONTAINS INFORMATION THAT IS PROPRIETARY TO MOLEX INCORPORATED AND SHOULD NOT BE USED WITHOUT WRITTEN PERMISSION		