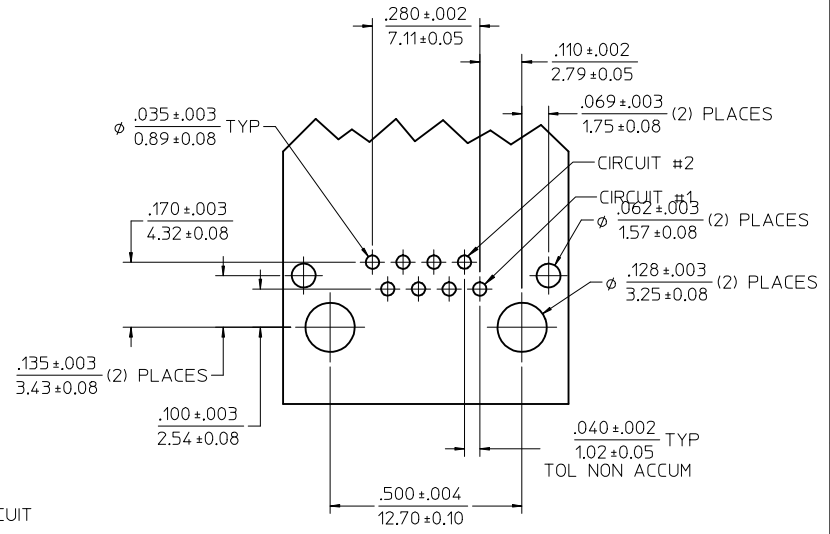
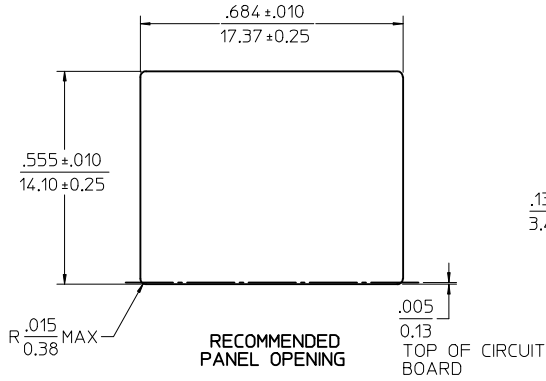
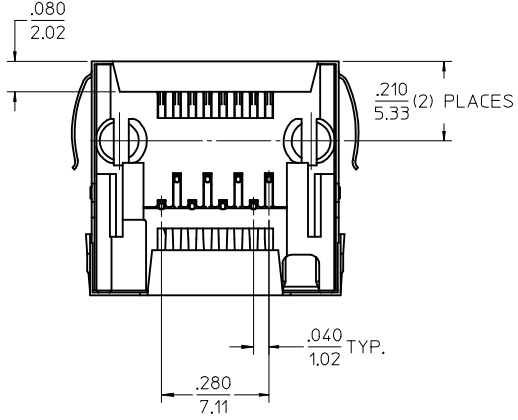
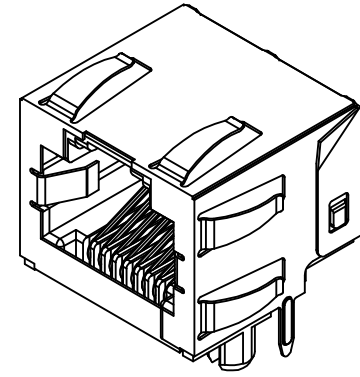
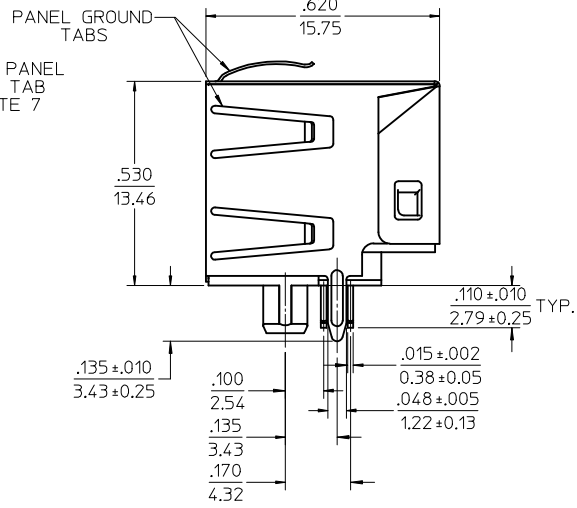
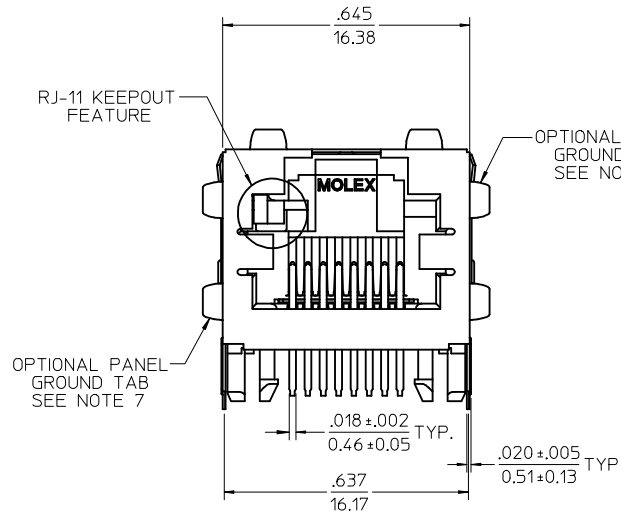


PC BOARD LAYOUT
COMPONENT SIDE OF BOARD
RECOMMENDED PCB THICKNESS: .062/1.57

- NOTES:
 1) MATERIAL:
 HOUSING: NYLON(IPA), GLASS FILLED, UL94V-0, COLOR: BLACK
 TERMINALS: PHOSPHOR BRONZE
 2) FINISH:
 TERMINALS:
 SELECT GOLD IN CONTACT AREA: 50 MICROINCHES (1.27 MICROMETERS) MIN.,
 SELECT TIN IN PC TAIL AREA: 100 MICROINCHES (2.54 MICROMETERS) MIN.,
 WITH OVERALL NICKEL UNDERPLATE: 50 MICROINCHES (1.27 MICROMETERS) MIN.
 3) PRODUCT SPECIFICATION AND PROCESSING PARAMETERS: PS-43860-003.
 4) PACKAGING SPECIFICATION:
 CONNECTOR ASSEMBLIES PACKAGED IN EXTRUDED TUBES PER MOLEX
 PACKAGING SPECIFICATION PK-43860-004.
 5) ALL UNTOLERANCED DIMENSIONS ARE SHOWN FOR REFERENCE ONLY.
 6) CONFORMS TO FCC REGULATION PART 68.5 FOR MODULAR JACKS.
 7) THIS PART CONFORMS TO CLASS B REQUIREMENTS OF COSMETIC
 SPECIFICATION PS-45499-002.

UPDATE VIEWS IEC NO: UCP2015-0148 2014/08/22 DRWINHNGUYEN 2014/08/22 CHKD:JBELL 2015/05/19 APPR:FSMITH	DESCRIPTION REV#	QUALITY SYMBOLS	GENERAL TOLERANCES (UNLESS SPECIFIED)	DIMENSION STYLE	SCALE	DESIGN UNITS	THIRD ANGLE PROJECTION
		$\nabla = 0$ $\nabla = 0$ $\nabla = 0$	mm INCH 4 PLACES ± --- ± --- 3 PLACES ± --- ± --- 2 PLACES ± --- ± --- 1 PLACE ± --- ± --- 0 PLACE ± ±	IN/MM DRAWN BY DATE MKAMAR 00/03/07 CHECKED BY DATE MKAMAR 00/03/07 APPROVED BY DATE JROBERTS 00/03/07	4:1 INCH	TITLE RJ-45 INVERTED MODULAR JACK ASSEMBLY WITH RJ-11 KEEPUT FEATURE	
		ANGULAR ±1/2° DRAFT WHERE APPLICABLE MUST REMAIN WITHIN DIMENSIONS	MATERIAL NO. 446200001	DOCUMENT NO. SD-44620-001	SHEET NO. 1 OF 4		
		THIS DRAWING CONTAINS INFORMATION THAT IS PROPRIETARY TO MOLEX INCORPORATED AND SHOULD NOT BE USED WITHOUT WRITTEN PERMISSION					



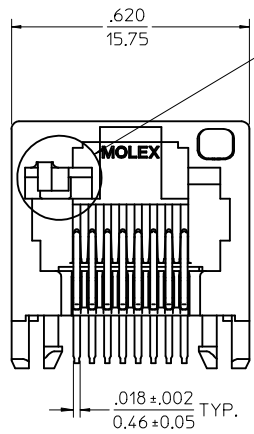
PC BOARD LAYOUT
COMPONENT SIDE OF BOARD
RECOMMENDED PCB THICKNESS: .062/1.57

- NOTES:
 1) MATERIAL:
 HOUSING: NYLON(PA), GLASS FILLED, UL94V-0, COLOR: BLACK
 TERMINALS: PHOSPHOR BRONZE
 SHIELD: BRASS
 2) FINISH:
 TERMINALS:
 SELECT GOLD IN CONTACT AREA: 50 MICROINCHES (1.27 MICROMETERS) MIN.,
 SELECT TIN IN PC TAIL AREA: 100 MICROINCHES (2.54 MICROMETERS) MIN.,
 WITH OVERALL NICKEL UNDERPLATE: 50 MICROINCHES (1.27 MICROMETERS) MIN.
 SHIELD:
 100 MICROINCHES (2.54 MICROMETERS) NICKEL OVER 50 MICROINCHES
 (1.27 MICROMETERS) COPPER UNDERPLATE; PCB GROUND TABS DIPPED IN TIN
 3) PRODUCT SPECIFICATION AND PROCESSING PARAMETERS: PS-43860-003.
 4) PACKAGING SPECIFICATION:
 CONNECTOR ASSEMBLIES PACKAGED IN THERMOFORMED TRAYS PER MOLEX
 PACKAGING SPECIFICATION PK-43860-005.
 5) ALL UNTOLERANCED DIMENSIONS ARE SHOWN FOR REFERENCE ONLY.
 6) CONFORMS TO FCC REGULATION PART 68.5 FOR MODULAR JACKS.
 7) AVAILABLE WITH THE (2) SPECIFIED PANEL GROUND TABS OMITTED FOR
 SIDE TO SIDE STACKABILITY, PER THE ASSEMBLY MATERIAL NUMBER TABLE.
 8) THIS PART CONFORMS TO CLASS B REQUIREMENTS OF COSMETIC
 SPECIFICATION PS-45499-002.

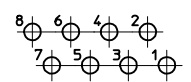
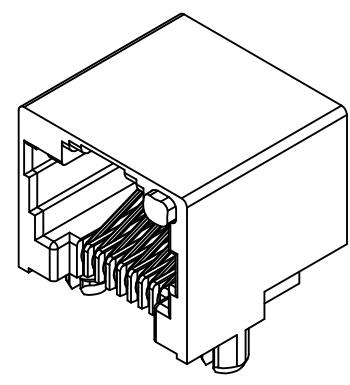
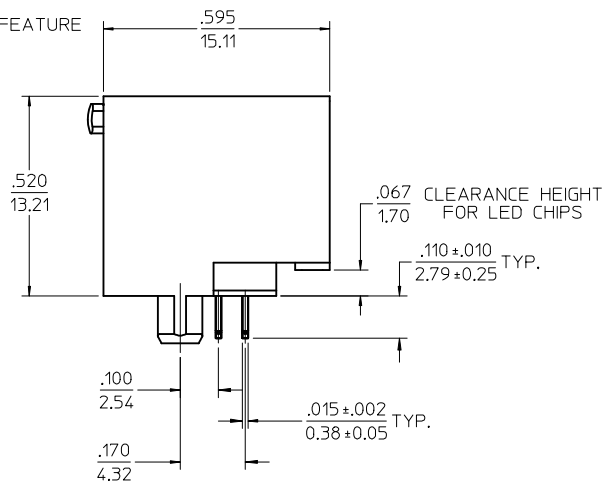
ASSEMBLY MATERIAL NUMBER	PANEL GROUND TABS
446200002	ALL
446200003	SEE NOTE 7

SEE SHEET 1 IEC NO: UCP2015-0148 2014/08/22 DRWINHNGUYEN 2014/08/22 CHKD:JBELL 2015/05/19 APPR:FSMITH	QUALITY SYMBOLS ▽=0 ▽=0 ▽=0	GENERAL TOLERANCES (UNLESS SPECIFIED)		DIMENSION STYLE IN/MM		SCALE 4:1	DESIGN UNITS INCH	THIRD ANGLE PROJECTION
		4 PLACES ± --- ± --- 3 PLACES ± --- ± --- 2 PLACES ± --- ± --- 1 PLACE ± --- ± --- 0 PLACE ± ±	mm INCH DRAWN BY MKAMAR DATE 00/03/07	CHECKED BY MKAMAR DATE 00/03/07	TITLE RJ-45 INVERTED MODULAR JACK ASSEMBLY WITH RJ-11 KEEP-OUT FEATURE			
		ANGULAR ±1/2°		APPROVED BY JROBERTS DATE 00/03/07	DOCUMENT NO. SD-44620-001			
		DRAFT WHERE APPLICABLE MUST REMAIN WITHIN DIMENSIONS		MATERIAL NO. SEE CHART	SHEET NO. 2 OF 4			

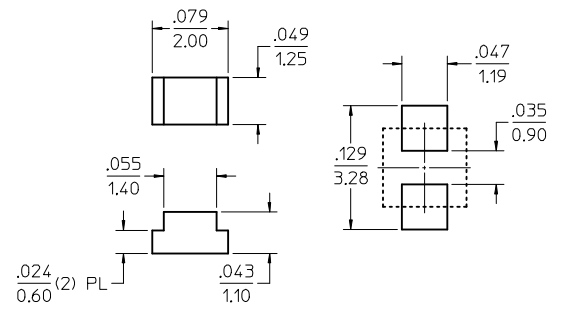
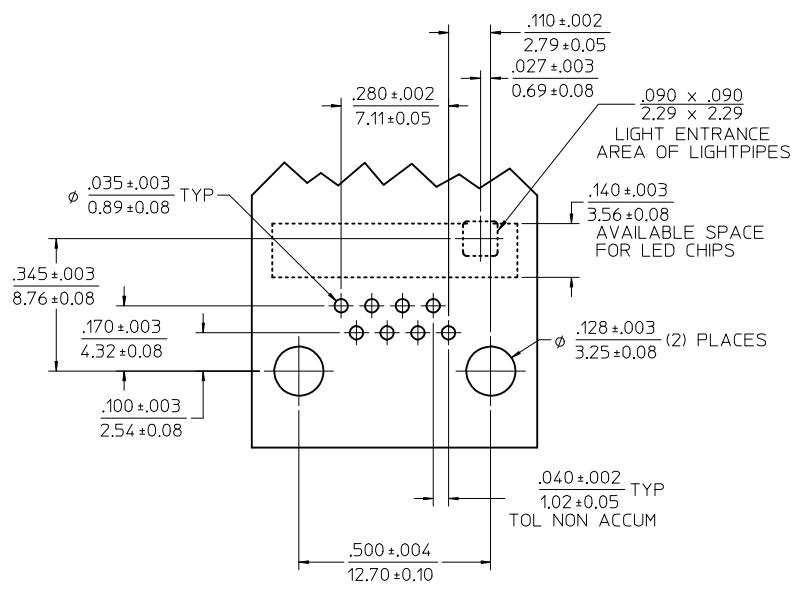
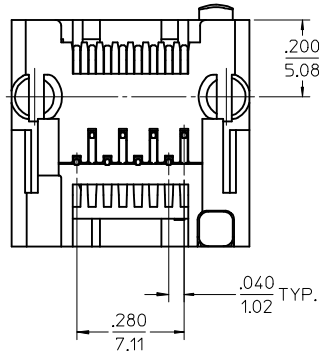
THIS DRAWING CONTAINS INFORMATION THAT IS PROPRIETARY TO MOLEX INCORPORATED AND SHOULD NOT BE USED WITHOUT WRITTEN PERMISSION



RJ-11 KEEPUT FEATURE



TYPICAL PC TERMINAL HOLE LAYOUT
SCALE 5:1



RECOMMENDED SMT
LED SOLDER PATTERN
SCALE 10:1
(SEE NOTE 8)

PC BOARD LAYOUT
COMPONENT SIDE OF BOARD
RECOMMENDED PCB THICKNESS: .062/1.57

ASSEMBLY MATERIAL NUMBER	LIGHT PIPE MATERIAL
446201004	POLYCARBONATE
446201005	POLYSULFONE

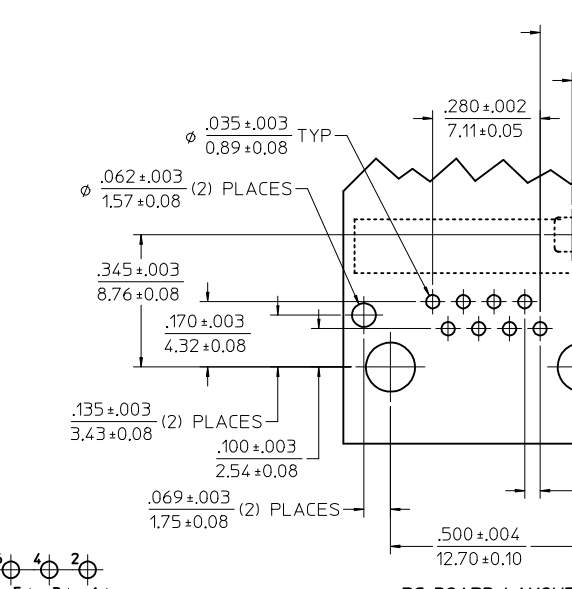
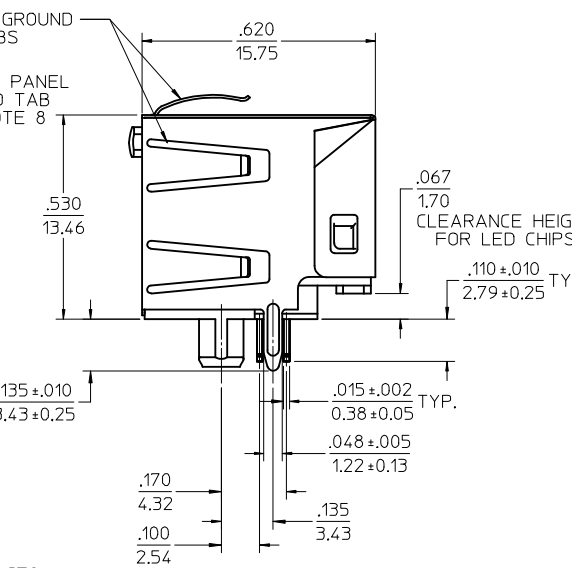
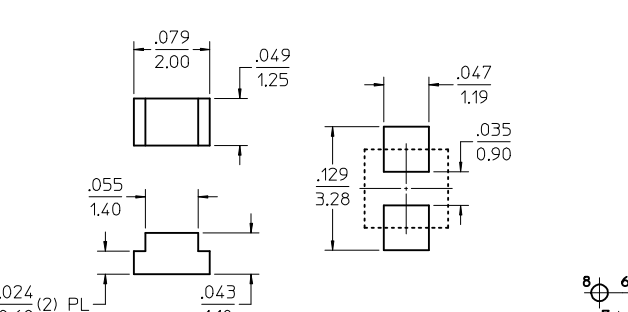
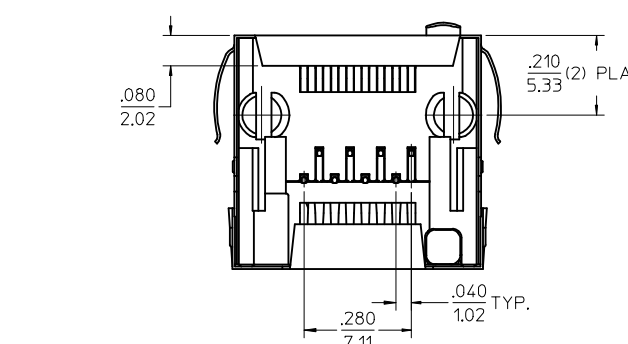
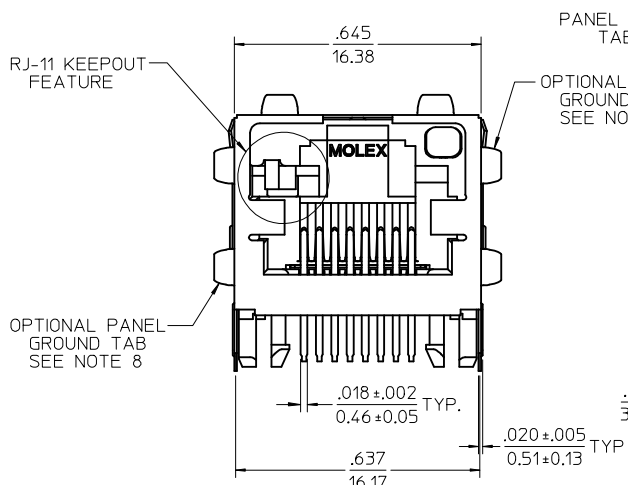
- NOTES:
- MATERIAL:
HOUSING: NYLON(PA), GLASS FILLED, UL94V-0, COLOR: BLACK
TERMINALS: PHOSPHOR BRONZE
LIGHT PIPES:
POLYCARBONATE-WAVE OR HAND SOLDER ONLY (NOT DESIGNED FOR I/R REFLOW OR CONVECTION REFLOW SOLDER PROCESSES)
POLYSULFONE-MAXIMUM REFLOW TEMPERATURE: 400°F (205°C)
 - FINISH:
TERMINALS:
SELECT GOLD IN CONTACT AREA: 50 MICROINCHES (1.27 MICROMETERS) MIN.,
SELECT TIN IN PC TAIL AREA: 100 MICROINCHES (2.54 MICROMETERS) MIN.,
WITH OVERALL NICKEL UNDERPLATE: 50 MICROINCHES (1.27 MICROMETERS) MIN.
 - PRODUCT SPECIFICATION AND PROCESSING PARAMETERS: PS-43860-003.
 - PACKAGING SPECIFICATION:
CONNECTOR ASSEMBLIES PACKAGED IN EXTRUDED TUBES PER MOLEX PACKAGING SPECIFICATION PK-43860-004.
 - APPLICATION SPECIFICATION: AS-43860-001.
 - ALL UNTOLERANCED DIMENSIONS ARE SHOWN FOR REFERENCE ONLY.
 - CONFORMS TO FCC REGULATION PART 68.5 FOR MODULAR JACKS.
 - FOR CROSS REFERENCE OF RECOMMENDED LED'S, SEE MOLEX WEBSITE.
 - THIS PART CONFORMS TO CLASS B REQUIREMENTS OF COSMETIC SPECIFICATION PS-45499-002.

SEE SHEET 1	DESCRIPTION	QUALITY SYMBOLS
REV: D3	2014/08/22 2014/08/22 2015/05/19	▽=0 ▽=0 ▽=0

GENERAL TOLERANCES (UNLESS SPECIFIED)	
mm	INCH
4 PLACES ± .005	± .0004
3 PLACES ± .005	± .0004
2 PLACES ± .005	± .0004
1 PLACE ± .005	± .0004
0 PLACE ±	±

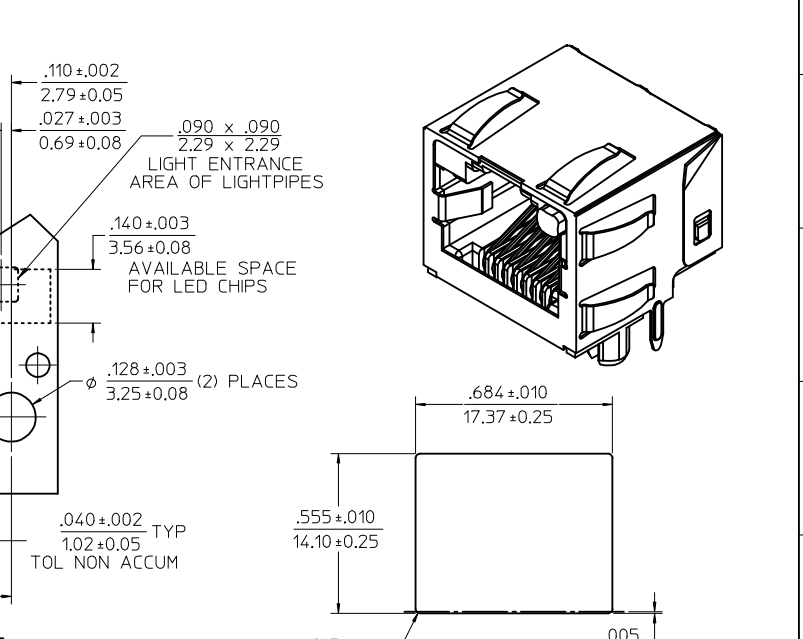
ANGULAR ±1/2°
DRAFT WHERE APPLICABLE MUST REMAIN WITHIN DIMENSIONS

DIMENSION STYLE		SCALE		DESIGN UNITS		THIRD ANGLE PROJECTION	
IN/MM		4:1		INCH		THIRD ANGLE PROJECTION	
DRAWN BY	DATE	TITLE	RJ-45 INVERTED MODULAR JACK ASSEMBLY WITH RJ-11 KEEPUT FEATURE				
MKAMAR	00/03/07						
CHECKED BY	DATE						
MKAMAR	00/03/07		SD-44620-001				
APPROVED BY	DATE		DOCUMENT NO. SD-44620-001 SHEET NO. 3 OF 4				
JROBERTS	00/03/07		THIS DRAWING CONTAINS INFORMATION THAT IS PROPRIETARY TO MOLEX. INCORPORATED AND SHOULD NOT BE USED WITHOUT WRITTEN PERMISSION				



NOTES:

- MATERIAL: HOUSING: NYLON(PA), GLASS FILLED, UL94V-0, COLOR: BLACK; TERMINALS: PHOSPHOR BRONZE; SHIELD: BRASS; LIGHT PIPES: POLYCARBONATE-WAVE OR HAND SOLDER ONLY (NOT DESIGNED FOR I/R REFLOW OR CONVECTION REFLOW SOLDER PROCESSES); POLYSULFONE-MAXIMUM REFLOW TEMPERATURE: 400°F (205°C)
- FINISH: TERMINALS: SELECT GOLD IN CONTACT AREA: 50 MICRONS (1.27 MICROMETERS) MIN., SELECT TIN IN PC TAIL AREA: 100 MICRONS (2.54 MICROMETERS) MIN., WITH OVERALL NICKEL UNDERPLATE: 50 MICRONS (1.27 MICROMETERS) MIN.; SHIELD: 100 MICRONS (2.54 MICROMETERS) NICKEL OVER 50 MICRONS (1.27 MICROMETERS) COPPER UNDERPLATE; PCB GROUND TABS DIPPED IN TIN
- PRODUCT SPECIFICATION AND PROCESSING PARAMETERS: PS-43860-003.
- PACKAGING SPECIFICATION: CONNECTOR ASSEMBLIES PACKAGED IN THERMOFORMED TRAYS PER MOLEX PACKAGING SPECIFICATION PK-43860-005.
- APPLICATION SPECIFICATION: AS-43860-001
- ALL UNTOLERANCED DIMENSIONS ARE SHOWN FOR REFERENCE ONLY.
- CONFORMS TO FCC REGULATION PART 68.5 FOR MODULAR JACKS.
- AVAILABLE WITH THE (2) SPECIFIED PANEL GROUND TABS OMITTED FOR SIDE TO SIDE STACKABILITY, PER THE ASSEMBLY MATERIAL NUMBER TABLE.
- FOR CROSS REFERENCE OF RECOMMENDED LED'S, SEE MOLEX WEBSITE.
- THIS PART CONFORMS TO CLASS B REQUIREMENTS OF COSMETIC SPECIFICATION PS-45499-002.



ASSEMBLY MATERIAL NUMBER	LIGHT PIPE MATERIAL	PANEL GROUND TABS
446201006	POLYCARBONATE	ALL
446201007	POLYCARBONATE	SEE NOTE 8
446201008	POLYSULFONE	ALL
446201009	POLYSULFONE	SEE NOTE 8

REV	DESCRIPTION
D3	SEE SHEET 1

QUALITY SYMBOLS
▽=0
▽=0
▽=0

GENERAL TOLERANCES (UNLESS SPECIFIED)	
mm	INCH
4 PLACES ±	±
3 PLACES ±	±
2 PLACES ±	±
1 PLACE ±	±
0 PLACE ±	±
ANGULAR ±1/2°	
DRAFT WHERE APPLICABLE MUST REMAIN WITHIN DIMENSIONS	

DIMENSION STYLE	
IN/MM	
DRAWN BY	DATE
DATE	DATE
CHECKED BY	DATE
DATE	DATE
APPROVED BY	DATE
DATE	DATE

SCALE	DESIGN UNITS	THIRD ANGLE PROJECTION
4:1	INCH	THIRD ANGLE PROJECTION
RJ-45 INVERTED MODULAR JACK ASSEMBLY WITH RJ-11 KEEPOUT FEATURE		
molex		
DOCUMENT NO.	SD-44620-001	SHEET NO. 4 OF 4
THIS DRAWING CONTAINS INFORMATION THAT IS PROPRIETARY TO MOLEX INCORPORATED AND SHOULD NOT BE USED WITHOUT WRITTEN PERMISSION		