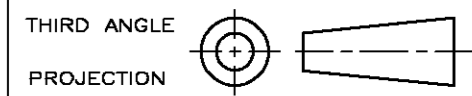


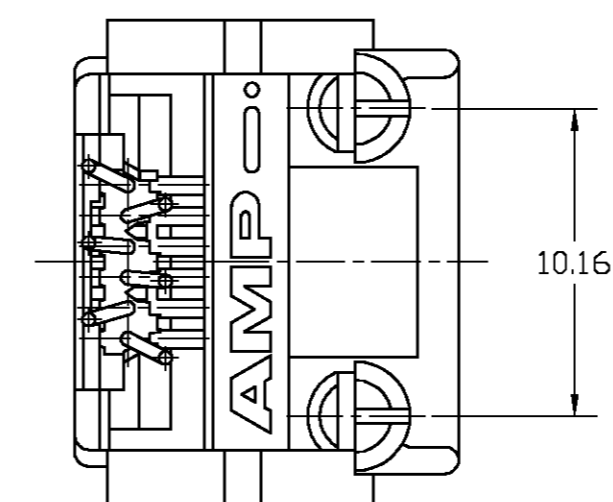
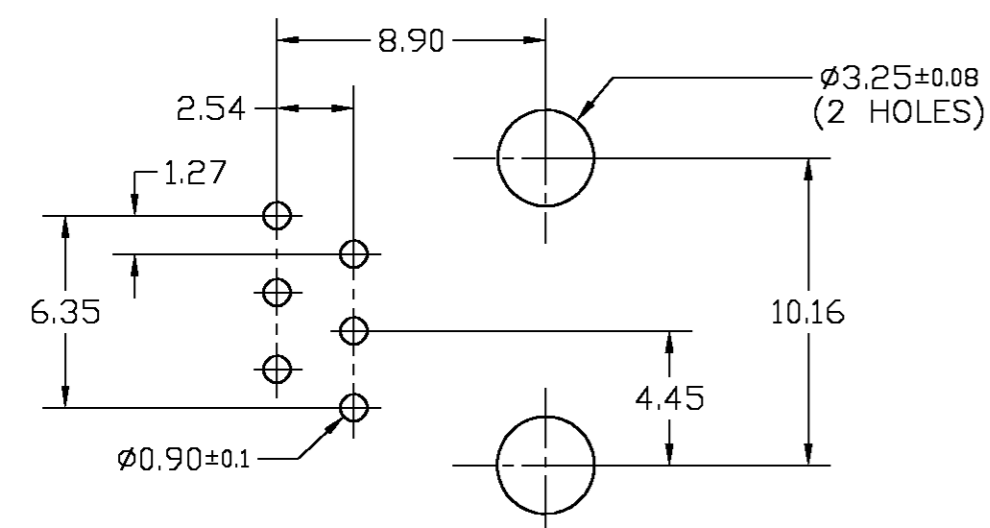
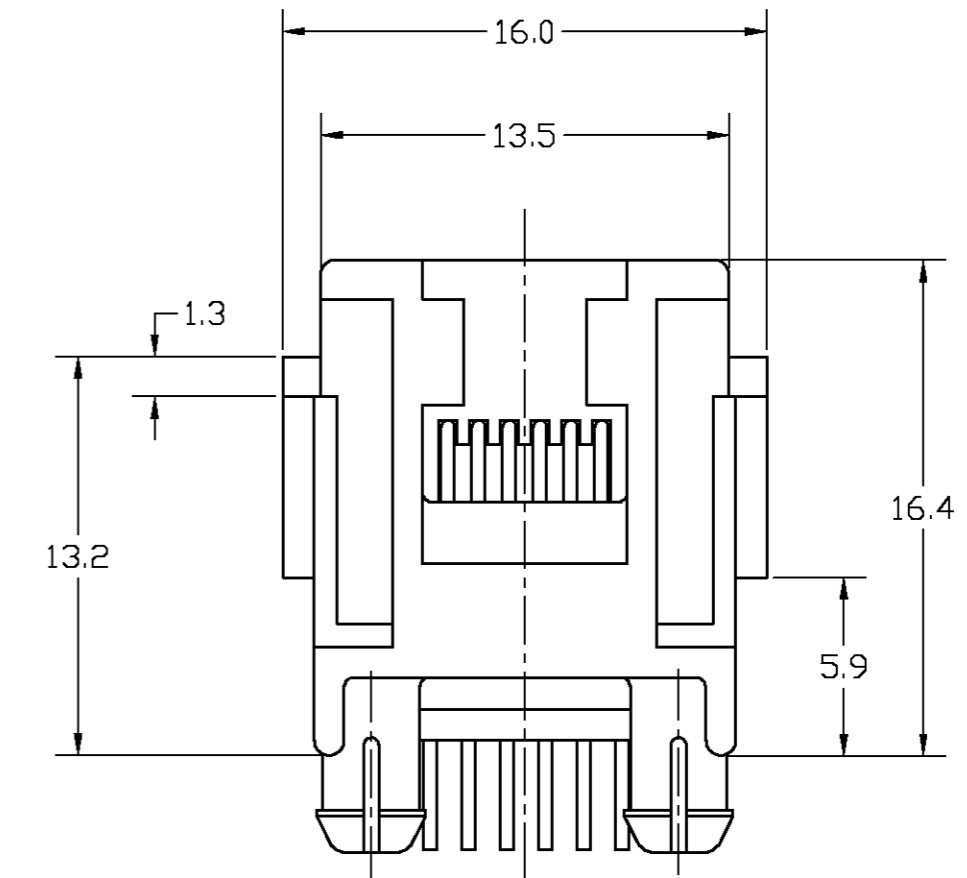
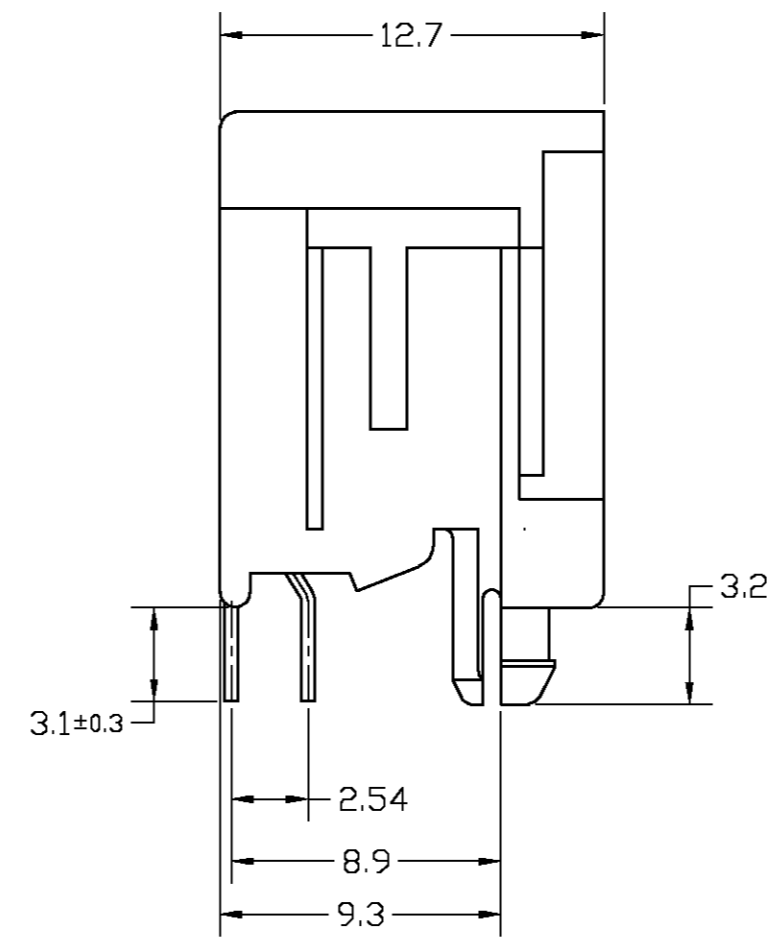
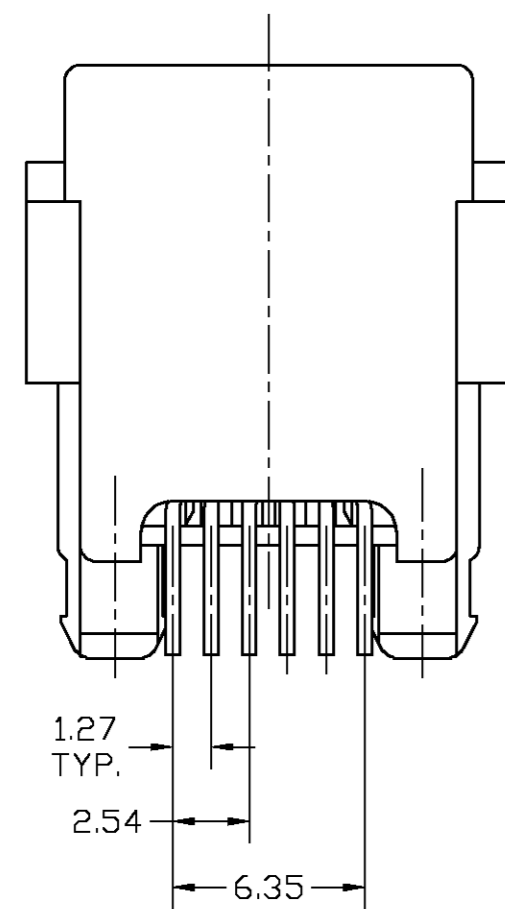
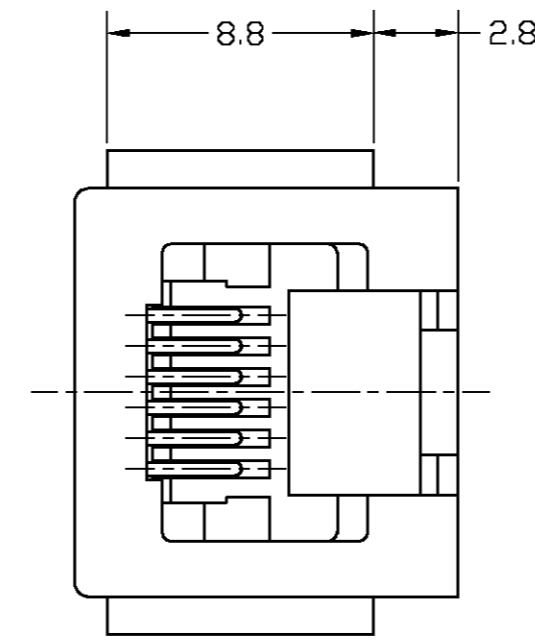
DO NOT SCALE
DIMENSIONS IN mm

METRIC



NOTES:

- 1 SEE SHEET 2 FOR 6 POS./4 CONTACTS
- 2 TOLERANCES UNLESS OTHERWISE SPECIFIED: $\pm 0,15$
- 3 FOR APPLICATION REQUIREMENTS SEE AMP SPEC. 114-19019
- 4 FOR PERFORMANCE REQUIREMENTS SEE AMP SPEC. 108-19064



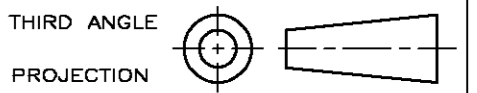
PRINTED CIRCUIT BOARD LAYOUT

VIEW SHOWN IS CIRCUIT (NONCOMPONENT) SIDE OF BOARD.
TOLERANCES UNLESS OTHERWISE SPECIFIED: $\pm 0,05$.
PRINTED CIRCUIT BOARD THICKNESS: 1,6 mm NOMINAL.

800 PCS ON A 60 CM DIA. REEL	6 POSITIONS/ 6 CONTACTS.	IN CONTACT AREA: 1,2 μ m MIN. SEL. GOLD OVER 1,2 μ m MIN. NICKEL SOLDER TINES: 2,0 μ m MIN. TIN-LEAD OVER 1,2 μ m MIN. NICKEL	HOUSING: PBT,UL 94-HB COLOR: BLACK CONTACTS: PHOSPHOR BRONZE	216548-1
PACKAGING	REMARKS	FINISH	MATERIAL	PARTNUMBER
CUSTOMER DRAWING				FOR REFERENCE ONLY WILL NOT BE UPDATED
THIS DRAWING IS UNPUBLISHED RELEASED FOR PUBLICATION				
STE TE Connectivity				
NAME MODULAR JACK 6 POS. TOP ENTRY SMALL SIZE WITH PANEL STOPS FOR PRINTED CIRCUIT BOARD				
J1	REVISED PER ECO-11-005294	RK	HMR	08APR11
LTR.	REVISION RECORD	DR.	CHK.	DATE
DR.: J.v.LIEMPT	CHK.: C.STERKEN	APP.: L.v.SOEST	DWG.No.	REV.LTR.
DATE: 31 JAN 94	DATE: -	DATE: -	C-216548	J1
				SHEET 1 OF 2
				A2

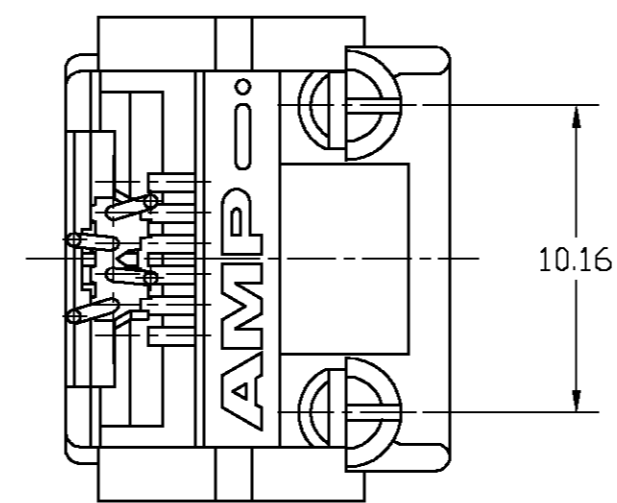
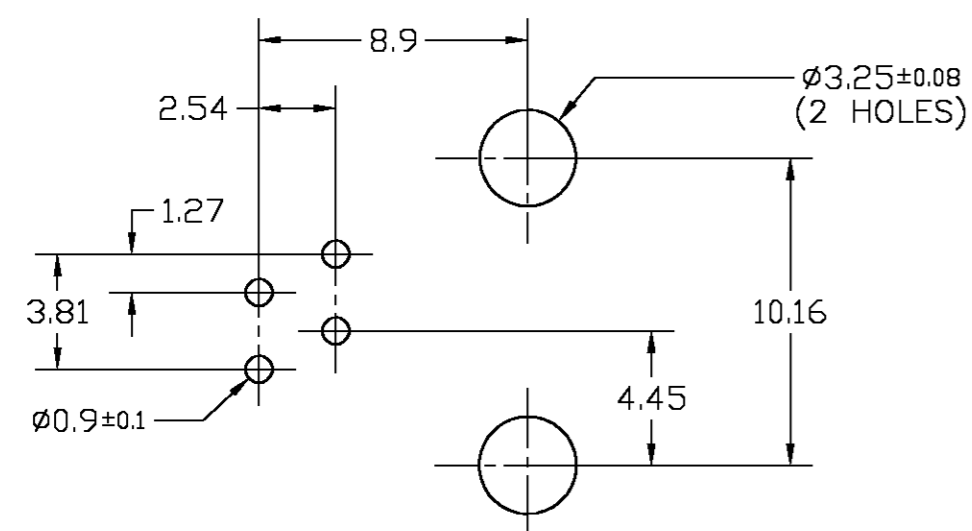
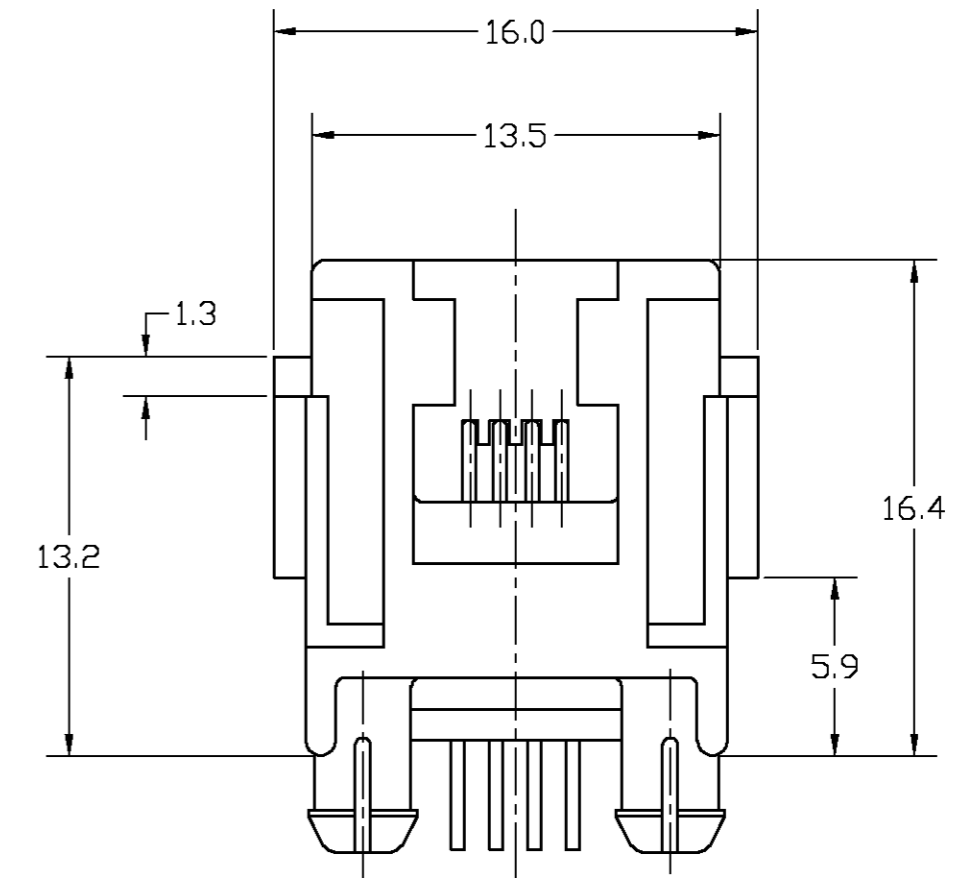
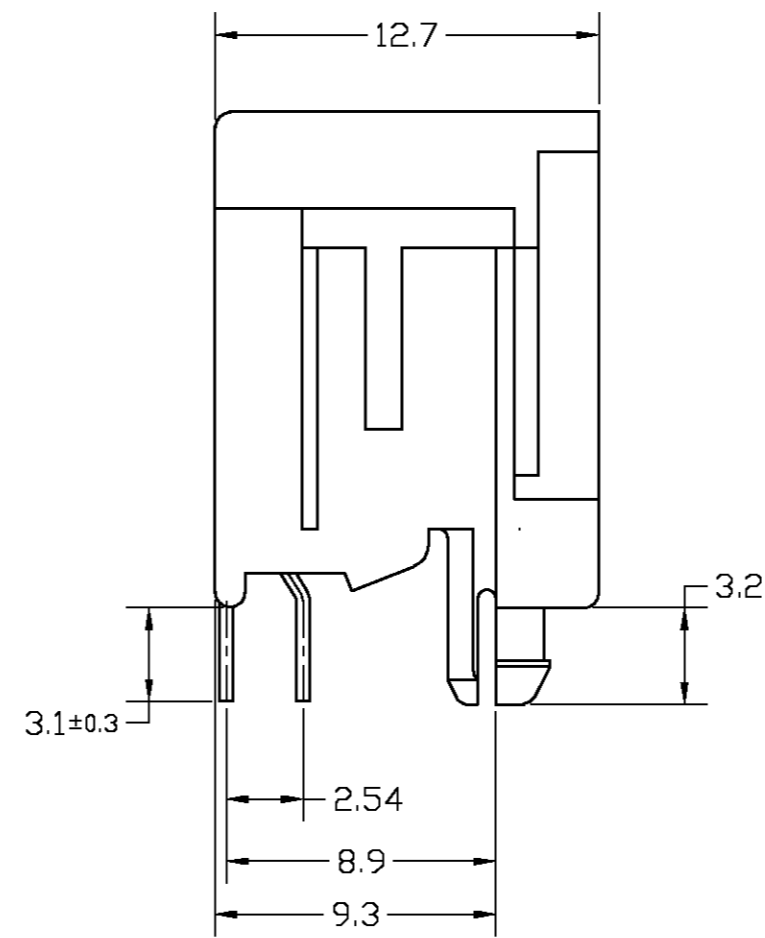
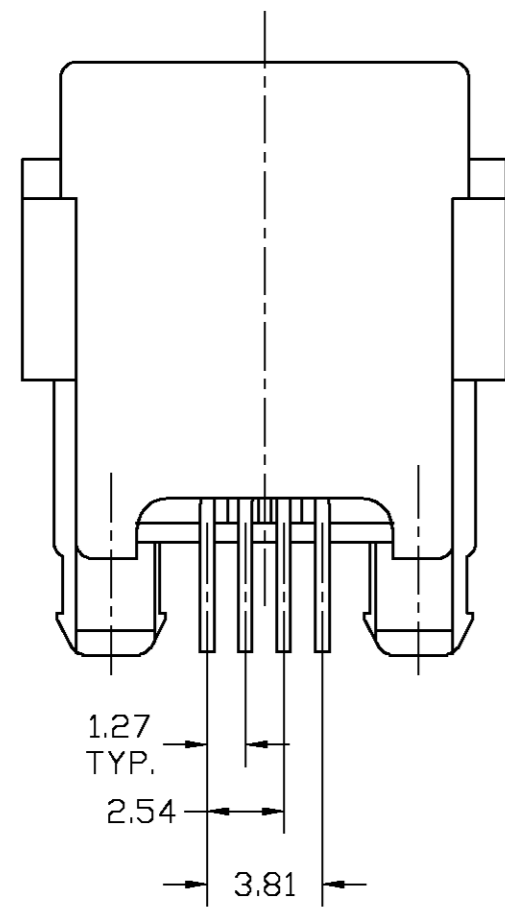
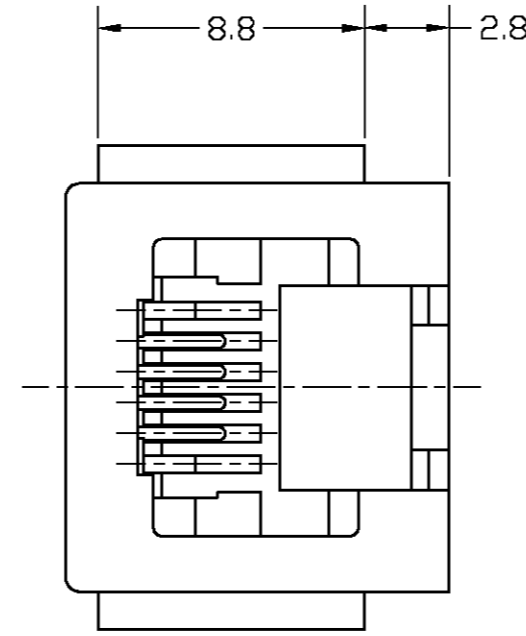
DO NOT SCALE
DIMENSIONS IN mm

METRIC



NOTES:

- 1 SEE SHEET 1 FOR 6 POS./6 CONTACTS
- 2 TOLERANCES UNLESS OTHERWISE SPECIFIED: $\pm 0,15$
- 3 FOR APPLICATION REQUIREMENTS SEE AMP SPEC. 114-19019
- 4 FOR PERFORMANCE REQUIREMENTS SEE AMP SPEC. 108-19064



PRINTED CIRCUIT BOARD LAYOUT

VIEW SHOWN IS CIRCUIT (NONCOMPONENT) SIDE OF BOARD.

TOLERANCES UNLESS OTHERWISE SPECIFIED: $\pm 0,05$.

PRINTED CIRCUIT BOARD THICKNESS: 1,6 mm NOMINAL.

800 PCS ON A 60 CM DIA. REEL	4 POSITIONS/ 6 CONTACTS.	IN CONTACT AREA: 1,2 μ m MIN. SEL. GOLD OVER 1,2 μ m MIN. NICKEL	HOUSING: PBT,UL 94-HB COLOR: BLACK	216548-2
PACKAGING	REMARKS	FINISH	MATERIAL	PARTNUMBER
		CUSTOMER DRAWING FOR REFERENCE ONLY WILL NOT BE UPDATED		
		THIS DRAWING IS UNPUBLISHED RELEASED FOR PUBLICATION		
		TE TE Connectivity		
		NAME MODULAR JACK 6 POS. TOP ENTRY SMALL SIZE WITH PANEL STOPS FOR PRINTED CIRCUIT BOARD		
LTR.	REVISION RECORD	DR.	CHK.	DATE
DR.: J.v.LIEMPT DATE: 31 JAN 94	CHK.: C.STERKEN DATE: -	APP.: L.v.SOEST DATE: -	DWG.No. C-216548	REV.LTR. SHEET J1 2 OF 2 A2

SEE SHEET 1