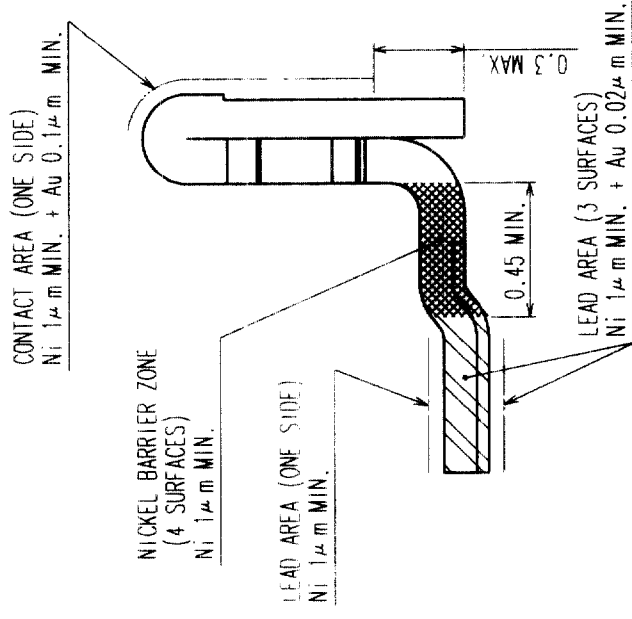
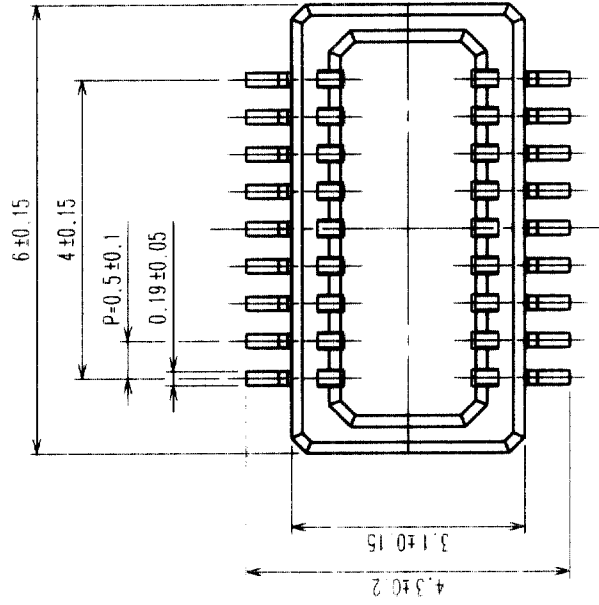


COUNT	DESCRIPTION OF REVISIONS	BY	CHKD	DATE	COUNT	DESCRIPTION OF REVISIONS	BY	CHKD	DATE

Fig.1 : RECOMMENDED PATTERN Fig.2 : PLATING SPECIFICATION (40:1)



OTHERS : Ni 1µm MIN. + Au FLASH

Fig.3 : A-A CROSS SECTION VIEW

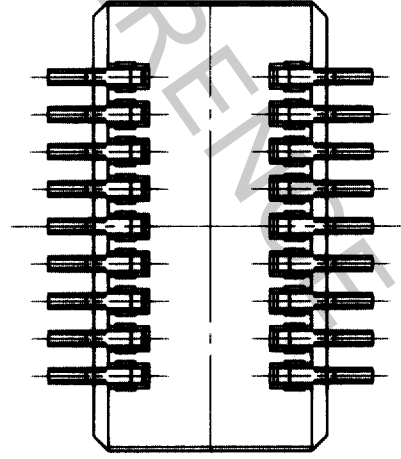
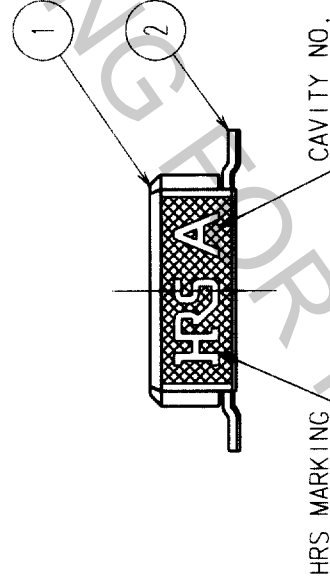
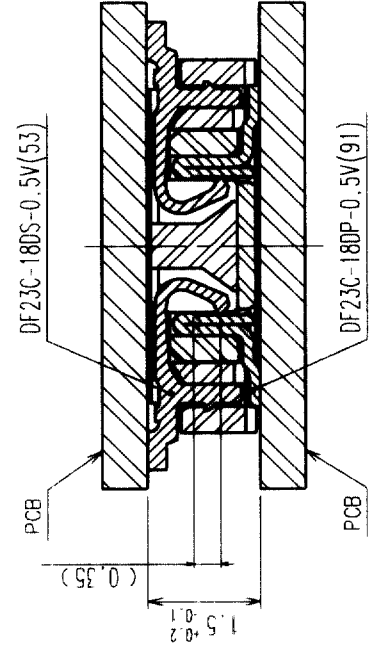


Fig.4 : MATING VIEW



NOTES 1 LEAD CO-PLANARITY SHALL BE 0.1mm MAX.

2 REFER TO Fig.2

3 WHEN A PART MARKED WITH HAS A PATTERN BUT NO RESIST ON IT, TAKE CARE TO PREVENT THE CONNECTOR FROM TOUCHING IT.

NO.	MATERIAL	FINISH, REMARKS	DRAWN	DESIGNED	CHECKED	APPROVED	RELEASED
2	PHOSPHOR BRONZE	②					
1	LOP	BLACK,UL94V-0					
NO.	MATERIAL	FINISH, REMARKS	DRAWN	DESIGNED	CHECKED	APPROVED	RELEASED
CODE NO. (OLD)			T. Yamamoto	T. Yamamoto	K. Kobayashi	K. Kobayashi	
			'03.10.1	'03.10.2	'03.10.2	'03.10.2	

DRAWING NO.	EDC3-164161-05	PART NO.	DF23C-18DP-0.5V(91)
SCALE	10 : 1	CODE NO.	CL688-0808-7-91
UNITS	mm		

TO	

Fig.6 : REEL DIMENSIONS (FREE)

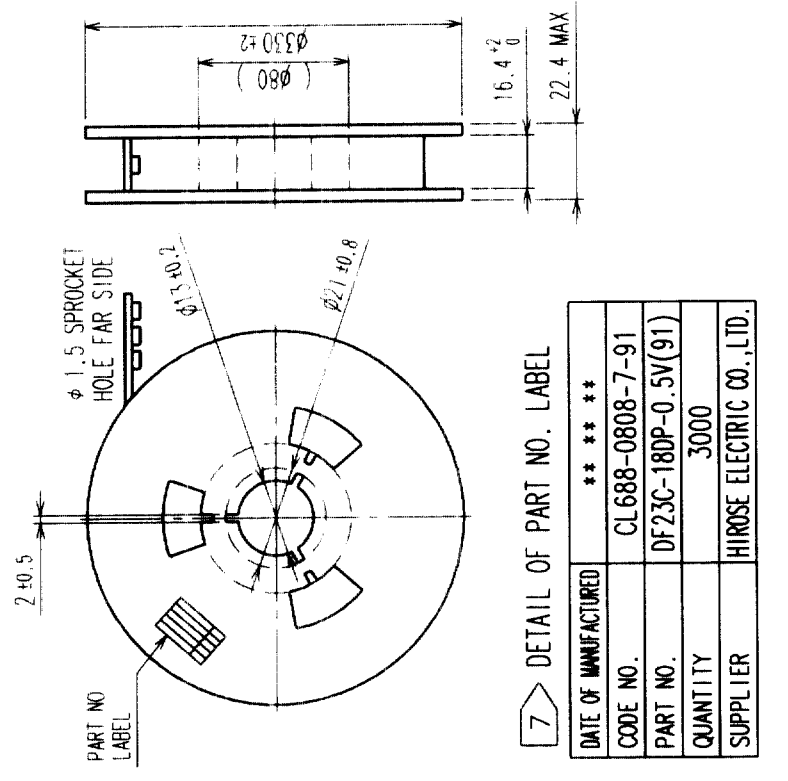
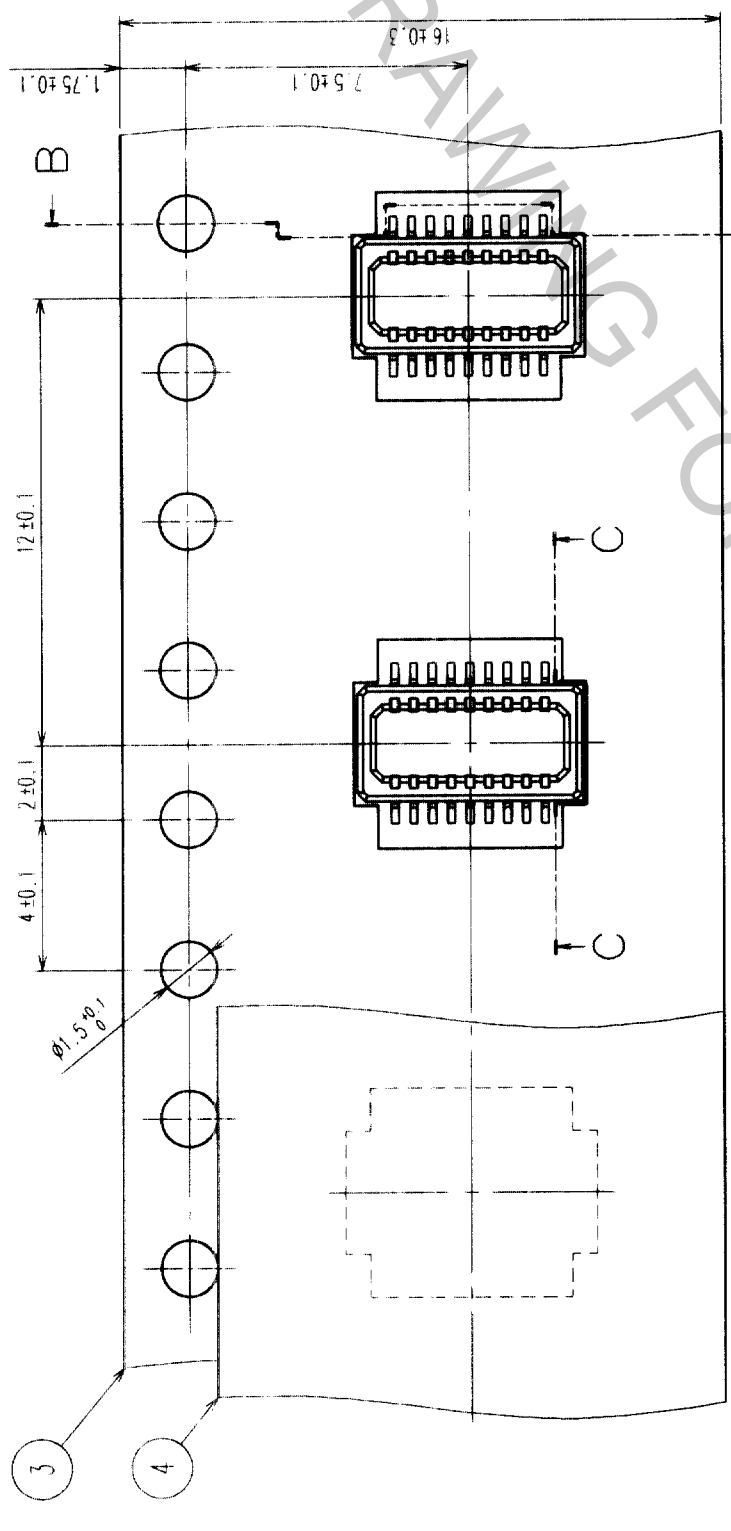
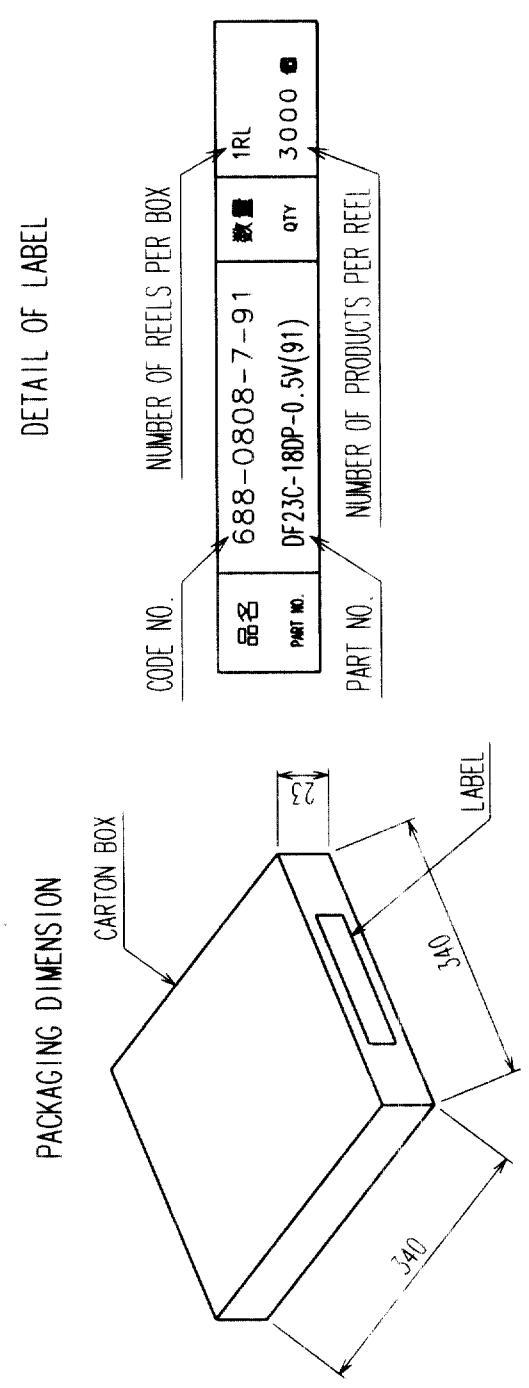
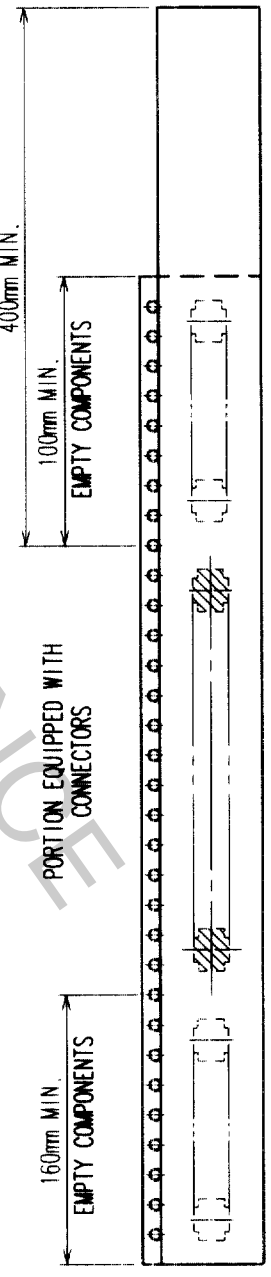


Fig.7 : PACKAGING SPECIFICATION (FREE)



DIRECTION OF UNREELING →

Fig.5 : TAPING (FREE)



TRAILER

LEADER

NOTES

4 PER REEL 3000 CONNECTORS

5 THE DIMENSIONS IN PARENTHESES ARE FOR REFERENCE.

6 REFER TO JIS C 0806 (PACKAGING OF COMPONENTS FOR AUTOMATIC HANDLING)

7 DETAIL OF PART NO. LABEL IS WRITTEN IN JAPANESE.

CODE NO. (OLD)	DRAWN	DESIGNED	CHECKED	APPROVED	RELEASED
	T. Yamamoto	T. Yamamoto	K. Hayama	K. Hayama	
	'03.10.1	'03.10.2	'03.10.2	'03.10.2	
	DRAWING NO. EDC3-164161-05		PART NO. DF23C-18DP-0.5V(91)		
	SCALE 5 : 1	CODE NO. CL688-0808-7-91			
	UNITS (mm)	HIROSE ELECTRIC CO., LTD			

TO	