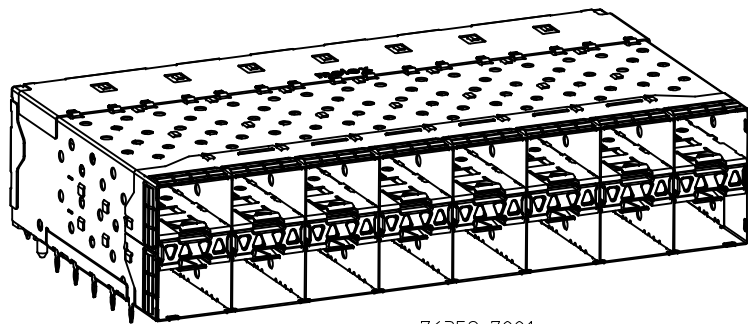


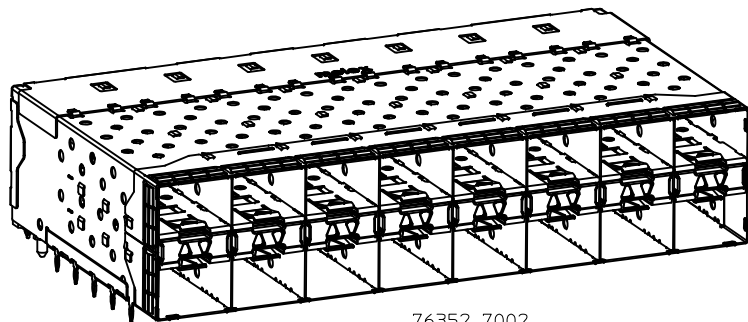
- NOTES:
- MATERIAL:
 - CAGE: NICKEL SILVER, THICKNESS: 0.25mm
 - CONNECTOR HOUSING: GLASS FILLED, LIQUID CRYSTAL POLYMER (LCP), UL 94V-0
 - COLOR: BLACK
 - OVERMOLDED TERMINAL HOUSING: GLASS FILLED, LIQUID CRYSTAL POLYMER (LCP), UL 94V-0, COLOR: BLACK
 - TERMINALS: TIN BRASS
 - LIGHT PIPES: POLYCARBONATE, UL 94V-0, COLOR: CLEAR
 - LIGHT PIPE HOUSING: ZINC
 - FINISH:
 - LIGHT PIPE HOUSING: 150 MICROMETERS MINIMUM NICKEL OVER 150 MICROMETERS MINIMUM COPPER
 - TERMINALS: CONTACT AREA: 0.76 MICROMETERS MINIMUM HARD GOLD OVER 1.27 MICROMETERS MINIMUM NICKEL.
 - COMPLIANT TAIL - 0.76 - 1.52 MICROMETERS MATTE TIN OVER 0.76 - 1.52 MICROMETERS NICKEL
 - REFER TO PS-75310-001 PRODUCT SPEC FOR ALL ELECTRICAL, MECHANICAL AND ENVIRONMENTAL SPECIFICATIONS.
 - LIGHT PIPE PAD LAYOUT IS FOR 0805 LOW-PROFILE LED PACKAGE, FOR OTHER RECOMMENDED LAYOUTS REFER TO MOLEX'S REPORT TS-75310-001.
 - REFER TO PK-76352-001 FOR ALL PACKAGING SPECIFICATIONS.
 - ALL EXTERIOR SURFACES TO BE CLASS "B" SURFACE EXCEPT THE UNDER SIDE OF THE CAGE WHERE THE PCB WOULD BE LOCATED AND AS NOTED. THE SURFACES TO CONFORM TO THE MOLEX COSMETIC DOC PS-45499-002.
 - THE OVERALL CAGE WIDTH AT THE VERTICAL CENTER OF THE FRONT EDGE WILL FALL WITHIN THIS DIMENSION: 114.80+/-0.30 MM. THIS PORTION OF THE CAGE WILL FLEX INWARD AS THE CAGE IS BEING INSERTED INTO THE BEZEL OPENING.
 - REFER TO AS-76090-001 FOR HIGH SPEED ROUTING RECOMMENDATIONS.
 - DATE CODE LOCATION IS SHOWN ABOVE.
 - DATE CODE FORMAT: DDDY MX A1
 - DDD = DAY OF THE YEAR
 - Y = YEAR
 - MX = MOLEX
 - A = ALPHA CHARACTER - INDICATES MANUFACTURING LINE
 - 1 = NUMERIC CHARACTER - INDICATES PRODUCTION SHIFT

PART NUMBER	LIGHTPIPE CONFIGURATION - SEE SHEET 2
763527001	4 LIGHT PORTS
763527002	INNER 2 PORTS
	OUTER 2 PORTS

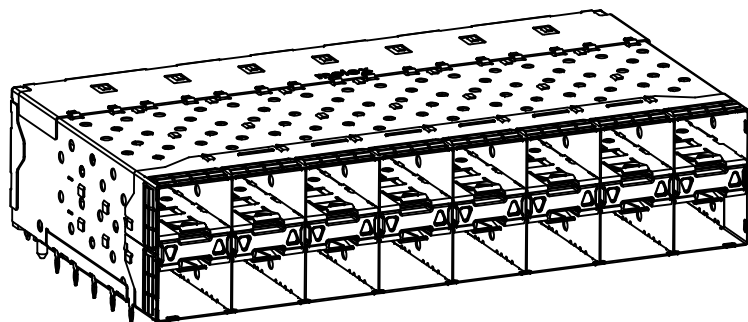
ADD 763527002 EC NO: UCP2012-0818 DRWN:BBARKER 2011/09/13 CHKD:DMORGAN APPR:SMILLER 2011/09/20	DESCRIPTION REV QUALITY SYMBOLS ▽=0 ▽=0 ▽=0	GENERAL TOLERANCES (UNLESS SPECIFIED) <table border="1"> <thead> <tr> <th></th> <th>mm</th> <th>INCH</th> </tr> </thead> <tbody> <tr> <td>4 PLACES</td> <td>± 0.13</td> <td>± 0.005</td> </tr> <tr> <td>3 PLACES</td> <td>± 0.25</td> <td>± 0.010</td> </tr> <tr> <td>2 PLACES</td> <td>± 0.38</td> <td>± 0.015</td> </tr> <tr> <td>1 PLACE</td> <td>± 0.51</td> <td>± 0.020</td> </tr> </tbody> </table>		mm	INCH	4 PLACES	± 0.13	± 0.005	3 PLACES	± 0.25	± 0.010	2 PLACES	± 0.38	± 0.015	1 PLACE	± 0.51	± 0.020	DIMENSION STYLE MM ONLY DRAWN BY DATE MS IBARRA 2010/09/03 CHECKED BY DATE DMORGAN 2010/09/03 APPROVED BY DATE SMILLER 2010/10/06	SCALE 2:1 DESIGN UNITS METRIC THIRD ANGLE PROJECTION	TITLE STACKED SFP+ 2X8 ASS'Y WITH METAL EMI GASKET LIGHTPIPES-IMPROVED EMI MOLEX INCORPORATED DOCUMENT NO. SD-76352-0002 SHEET NO. 1 OF 5
			mm	INCH																
4 PLACES	± 0.13	± 0.005																		
3 PLACES	± 0.25	± 0.010																		
2 PLACES	± 0.38	± 0.015																		
1 PLACE	± 0.51	± 0.020																		
DRAFT WHERE APPLICABLE MUST REMAIN WITHIN DIMENSIONS SIZE SEE TABLE THIS DRAWING CONTAINS INFORMATION THAT IS PROPRIETARY TO MOLEX INCORPORATED AND SHOULD NOT BE USED WITHOUT WRITTEN PERMISSION																				



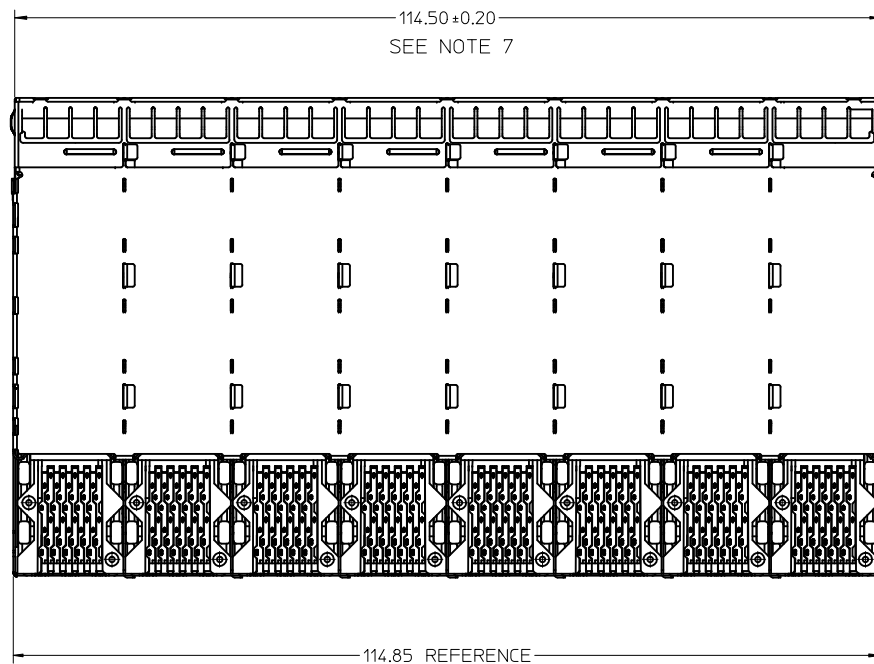
76352-7001
WITH INNER & OUTER LIGHT PIPE PORTS



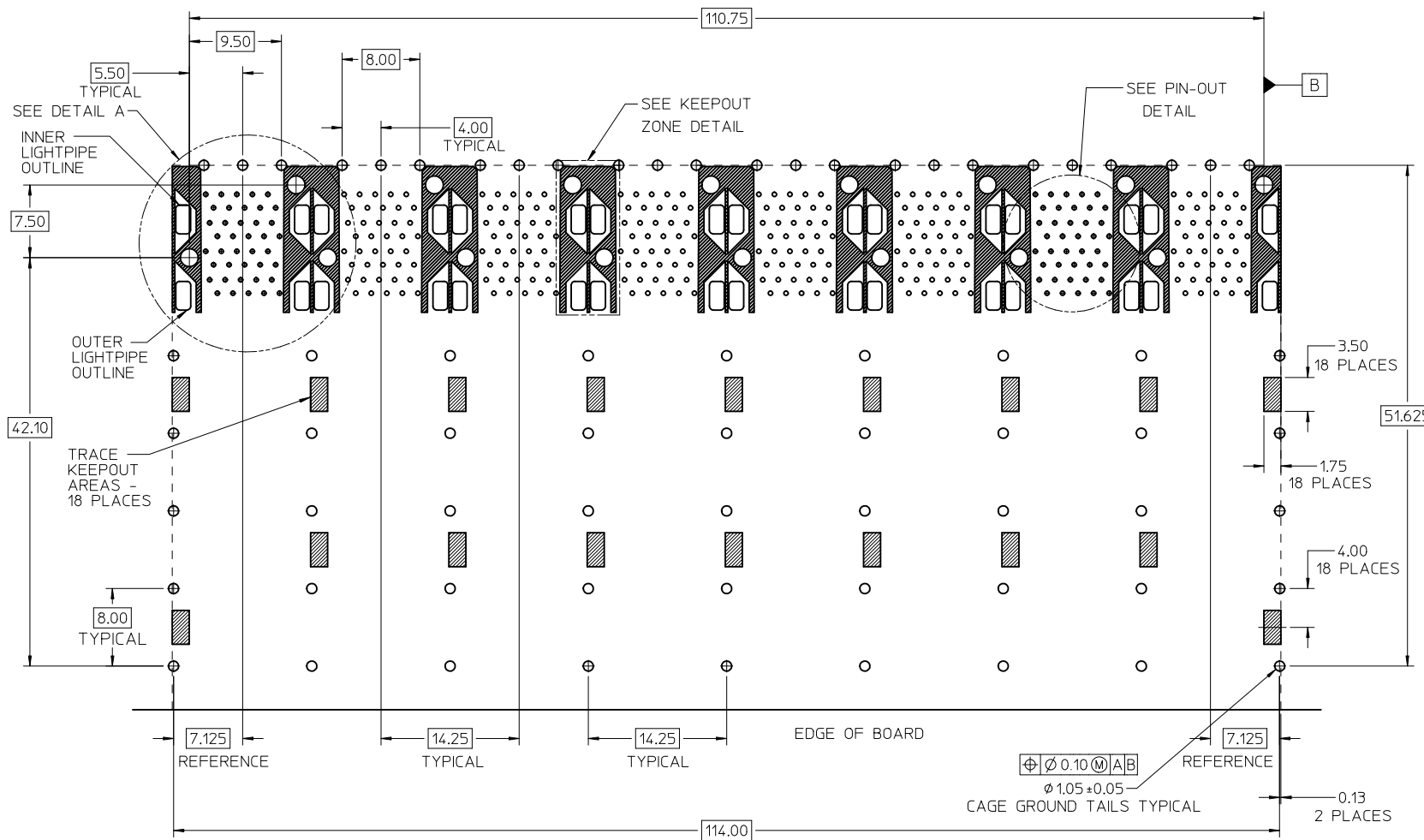
76352-7002
WITH INNER LIGHT PIPE PORTS



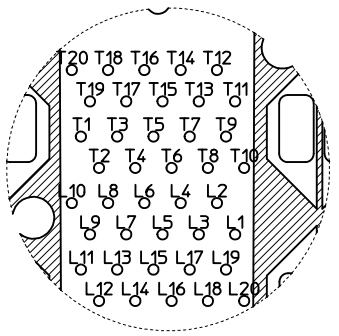
WITH OUTER LIGHT PIPE PORTS



SEE SHEET 1 EC NO: UCP2012-0818 DRWN:BBARKER 2011/09/13 CHKD:DMORGAN APPR:SMILLER 2011/09/20	QUALITY SYMBOLS = 0 = 0 = 0	GENERAL TOLERANCES (UNLESS SPECIFIED) <table border="1"> <thead> <tr> <th></th> <th>mm</th> <th>INCH</th> </tr> </thead> <tbody> <tr> <td>4 PLACES</td> <td>± .10</td> <td>± .004</td> </tr> <tr> <td>3 PLACES</td> <td>± .13</td> <td>± .005</td> </tr> <tr> <td>2 PLACES</td> <td>± 0.13</td> <td>± .005</td> </tr> <tr> <td>1 PLACE</td> <td>± 0.25</td> <td>± .010</td> </tr> </tbody> </table>		mm	INCH	4 PLACES	± .10	± .004	3 PLACES	± .13	± .005	2 PLACES	± 0.13	± .005	1 PLACE	± 0.25	± .010	DIMENSION STYLE MM ONLY DRAWN BY DATE MSIBARRA 2010/09/03 CHECKED BY DATE DMORGAN 2010/09/03 APPROVED BY DATE SMILLER 2010/10/06	SCALE 2:1 DESIGN UNITS METRIC THIRD ANGLE PROJECTION	TITLE STACKED SFP+ 2X8 ASS'Y WITH METAL EMI GASKET LIGHTPIPES-IMPROVED EMI
		mm	INCH																	
	4 PLACES	± .10	± .004																	
	3 PLACES	± .13	± .005																	
2 PLACES	± 0.13	± .005																		
1 PLACE	± 0.25	± .010																		
MATERIAL NO. SEE SHEET 1	DOCUMENT NO. SD-76352-0002	SHEET NO. 2 OF 5																		
DRAFT WHERE APPLICABLE MUST REMAIN WITHIN DIMENSIONS	SIZE THIS DRAWING CONTAINS INFORMATION THAT IS PROPRIETARY TO MOLEX INCORPORATED AND SHOULD NOT BE USED WITHOUT WRITTEN PERMISSION	MOLEX INCORPORATED																		

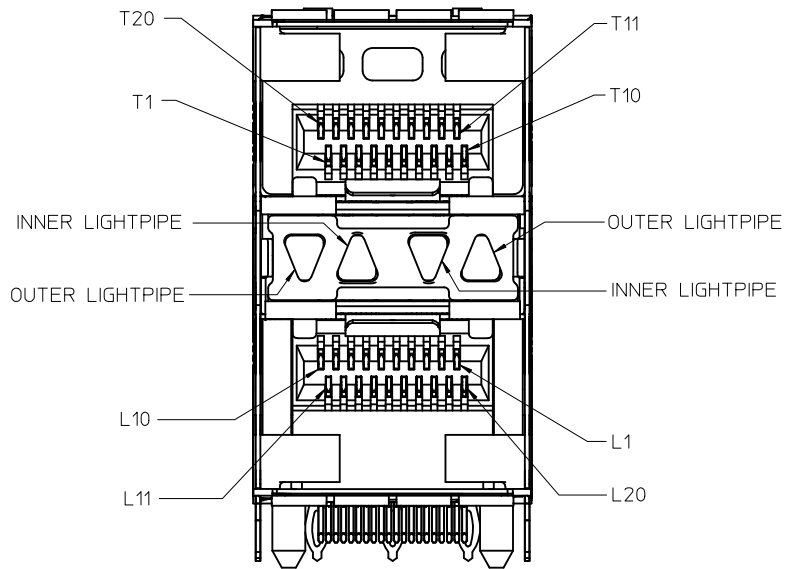


RECOMMENDED PCB LAYOUT - COMPONENT SIDE
 RECOMMENDED PCB THICKNESS - 2.63 MM (.093 INCH)
 THE ENTIRE AREA OF THE CONNECTOR FOOTPRINT
 TO BE CONSIDERED THE KEEP OUT AREA FOR COMPONENTS
 (OTHER THAN LIGHT PIPE LED'S)
 THIS AREA IS INDICATED BY THE DASHED LINE

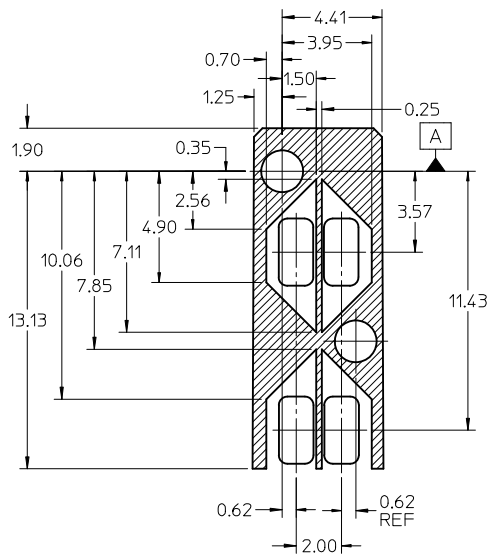


CONNECTOR PIN-OUT
 COMPONENT SIDE OF BOARD

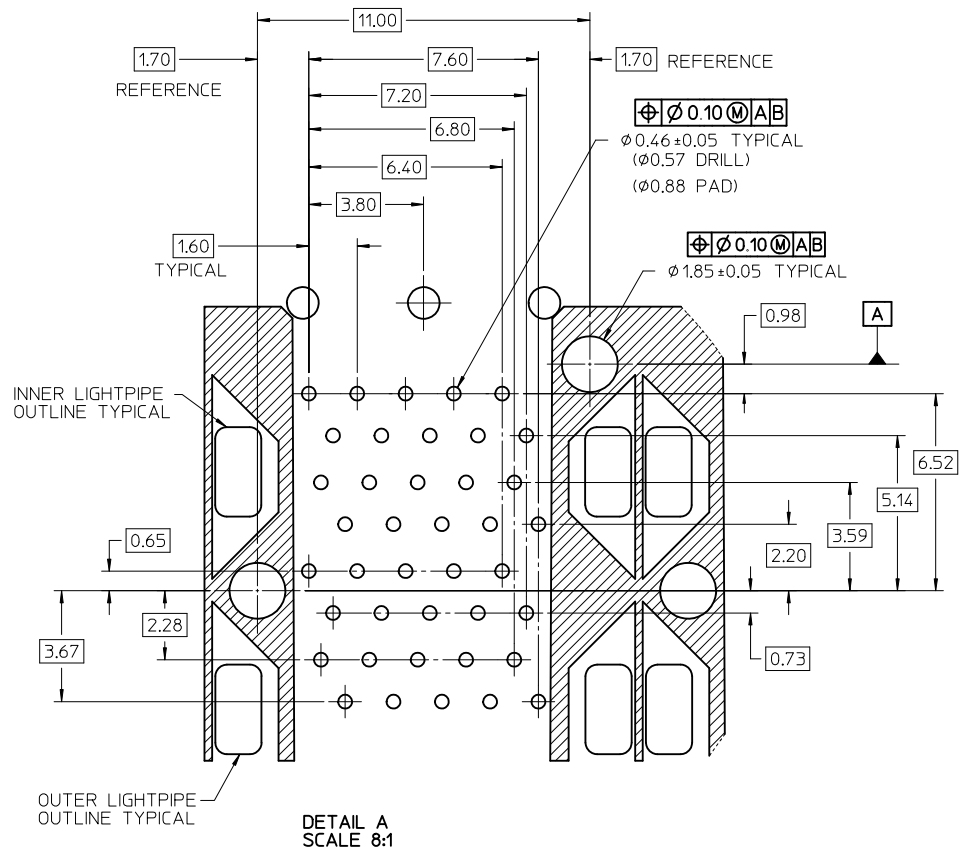
SEE SHEET 1 EC NO: UCP2012-0818 DRWN:BBARKER 2011/09/13 CHKD:DMORGAN APPR:SMILLER 2011/09/20	QUALITY SYMBOLS $\nabla=0$ $\nabla=0$ $\nabla=0$	GENERAL TOLERANCES (UNLESS SPECIFIED) <table border="1"> <tr> <th></th> <th>mm</th> <th>INCH</th> </tr> <tr> <td>4 PLACES</td> <td>± 0.13</td> <td>± 0.005</td> </tr> <tr> <td>3 PLACES</td> <td>± 0.25</td> <td>± 0.010</td> </tr> <tr> <td>2 PLACES</td> <td>± 0.50</td> <td>± 0.020</td> </tr> <tr> <td>1 PLACE</td> <td>± 1.00</td> <td>± 0.040</td> </tr> </table>		mm	INCH	4 PLACES	± 0.13	± 0.005	3 PLACES	± 0.25	± 0.010	2 PLACES	± 0.50	± 0.020	1 PLACE	± 1.00	± 0.040	DIMENSION STYLE MM ONLY DRAWN BY DATE MSIBARRA 2010/09/03 CHECKED BY DATE DMORGAN 2010/09/03 APPROVED BY DATE SMILLER 2010/10/06	SCALE 3:1 DESIGN UNITS METRIC THIRD ANGLE PROJECTION	TITLE STACKED SFP+ 2X8 ASS'Y WITH METAL EMI GASKET LIGHTPIPES-IMPROVED EMI MOLEX INCORPORATED DOCUMENT NO. SD-76352-0002	SHEET NO. 3 OF 5
		mm	INCH																		
	4 PLACES	± 0.13	± 0.005																		
	3 PLACES	± 0.25	± 0.010																		
2 PLACES	± 0.50	± 0.020																			
1 PLACE	± 1.00	± 0.040																			
DRAFT WHERE APPLICABLE MUST REMAIN WITHIN DIMENSIONS	SEE SHEET 1	THIS DRAWING CONTAINS INFORMATION THAT IS PROPRIETARY TO MOLEX INCORPORATED AND SHOULD NOT BE USED WITHOUT WRITTEN PERMISSION																			



DETAIL B
SCALE 5:1
CIRCUIT NUMBERING
AND LIGHTPIPE
IDENTIFICATION

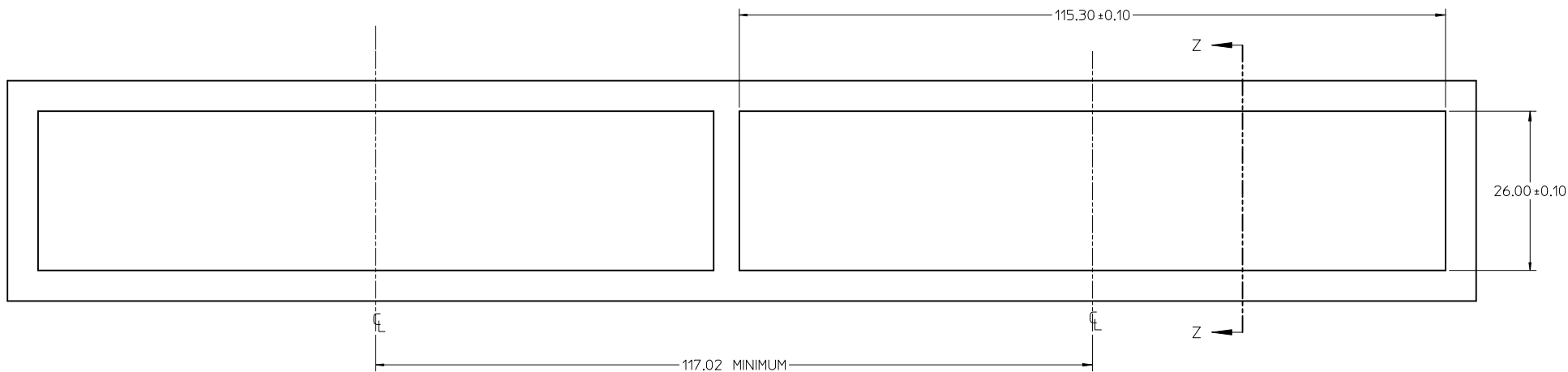


DETAIL - LIGHT PIPE AND OTHER ZONES
THE HATCHED AREA IN THIS VIEW INDICATES ZONES THAT ARE OCCUPIED BY THE PLASTIC HOUSING THAT SEATS AGAINST THE PCB AND BY THE VERTICAL METAL CAGE WALL THAT STOPS JUST SHORT OF THE PCB

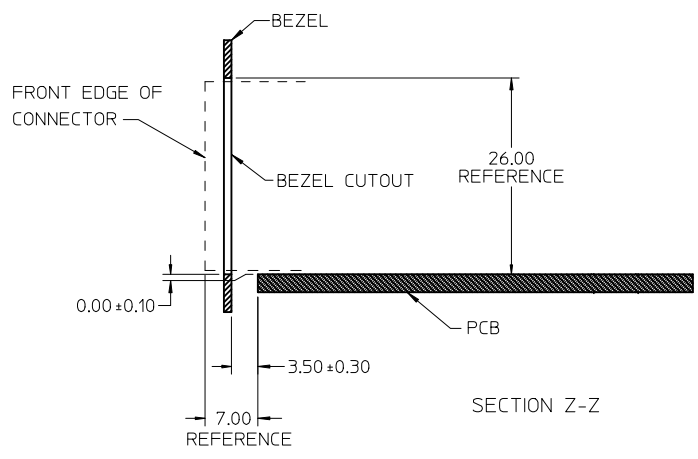


DETAIL A
SCALE 8:1

ADD DETAIL B EC NO: UCP2012-0818 DRAWN: BARKER 2011/09/13 CHKD: DMORGAN APPR: SMILLER 2011/09/20	DESCRIPTION REV	QUALITY SYMBOLS	GENERAL TOLERANCES (UNLESS SPECIFIED)	DIMENSION STYLE MM ONLY	SCALE 5:1	DESIGN UNITS METRIC	THIRD ANGLE PROJECTION																									
		$\nabla = 0$ $\nabla = 0$ $\nabla = 0$	<table border="1"> <tr> <th></th> <th>mm</th> <th>INCH</th> </tr> <tr> <td>4 PLACES</td> <td>± 0.13</td> <td>± 0.005</td> </tr> <tr> <td>3 PLACES</td> <td>± 0.25</td> <td>± 0.010</td> </tr> <tr> <td>2 PLACES</td> <td>± 0.50</td> <td>± 0.020</td> </tr> <tr> <td>1 PLACE</td> <td>± 1.00</td> <td>± 0.040</td> </tr> </table>		mm	INCH	4 PLACES	± 0.13	± 0.005	3 PLACES	± 0.25	± 0.010	2 PLACES	± 0.50	± 0.020	1 PLACE	± 1.00	± 0.040	<table border="1"> <tr> <th>DRAWN BY</th> <th>DATE</th> </tr> <tr> <td>MSIBARRA</td> <td>2010/09/03</td> </tr> <tr> <th>CHECKED BY</th> <th>DATE</th> </tr> <tr> <td>DMORGAN</td> <td>2010/09/03</td> </tr> <tr> <th>APPROVED BY</th> <th>DATE</th> </tr> <tr> <td>SMILLER</td> <td>2010/10/06</td> </tr> </table>	DRAWN BY	DATE	MSIBARRA	2010/09/03	CHECKED BY	DATE	DMORGAN	2010/09/03	APPROVED BY	DATE	SMILLER	2010/10/06	TITLE STACKED SFP+ 2X8 ASS'Y WITH METAL EMI GASKET LIGHTPIPES-IMPROVED EMI
	mm	INCH																														
4 PLACES	± 0.13	± 0.005																														
3 PLACES	± 0.25	± 0.010																														
2 PLACES	± 0.50	± 0.020																														
1 PLACE	± 1.00	± 0.040																														
DRAWN BY	DATE																															
MSIBARRA	2010/09/03																															
CHECKED BY	DATE																															
DMORGAN	2010/09/03																															
APPROVED BY	DATE																															
SMILLER	2010/10/06																															
DRAFT WHERE APPLICABLE MUST REMAIN WITHIN DIMENSIONS		SEE SHEET 1	THIS DRAWING CONTAINS INFORMATION THAT IS PROPRIETARY TO MOLEX INCORPORATED AND SHOULD NOT BE USED WITHOUT WRITTEN PERMISSION																													



BEZEL CUT-OUT DETAIL
RECOMMENDED BEZEL THICKNESS: 0.8MM - 2.6MM



SEE SHEET 1 EC NO: UCP2012-0818 DRAWN BY: DRWINBARKER 2011/09/13 CHKD: DMORGAN APPR: SMILLER 2011/09/20	QUALITY SYMBOLS	GENERAL TOLERANCES (UNLESS SPECIFIED)		DIMENSION STYLE MM ONLY		SCALE 2:1	DESIGN UNITS METRIC	THIRD ANGLE PROJECTION
	▽=0	mm	INCH	DRAWN BY	DATE	TITLE		
	▽=0	4 PLACES ± ---	± ---	MSIBARRA	2010/09/03	STACKED SFP+ 2X8 ASS'Y WITH METAL EMI GASKET LIGHTPIPES-IMPROVED EMI		
	▽=0	3 PLACES ± ---	± ---	CHECKED BY	DATE	MOLEX INCORPORATED		
		2 PLACES ± 0.13	± ---	DMORGAN	2010/09/03	MATERIAL NO. DOCUMENT NO.		
		1 PLACE ± 0.25	± ---	APPROVED BY	DATE	SHEET NO.		
		ANGULAR ± 5 °		SMILLER	2010/10/06	SD-76352-0002		
		DRAFT WHERE APPLICABLE MUST REMAIN WITHIN DIMENSIONS		SEE SHEET 1		5 OF 5		
		THIS DRAWING CONTAINS INFORMATION THAT IS PROPRIETARY TO MOLEX INCORPORATED AND SHOULD NOT BE USED WITHOUT WRITTEN PERMISSION						