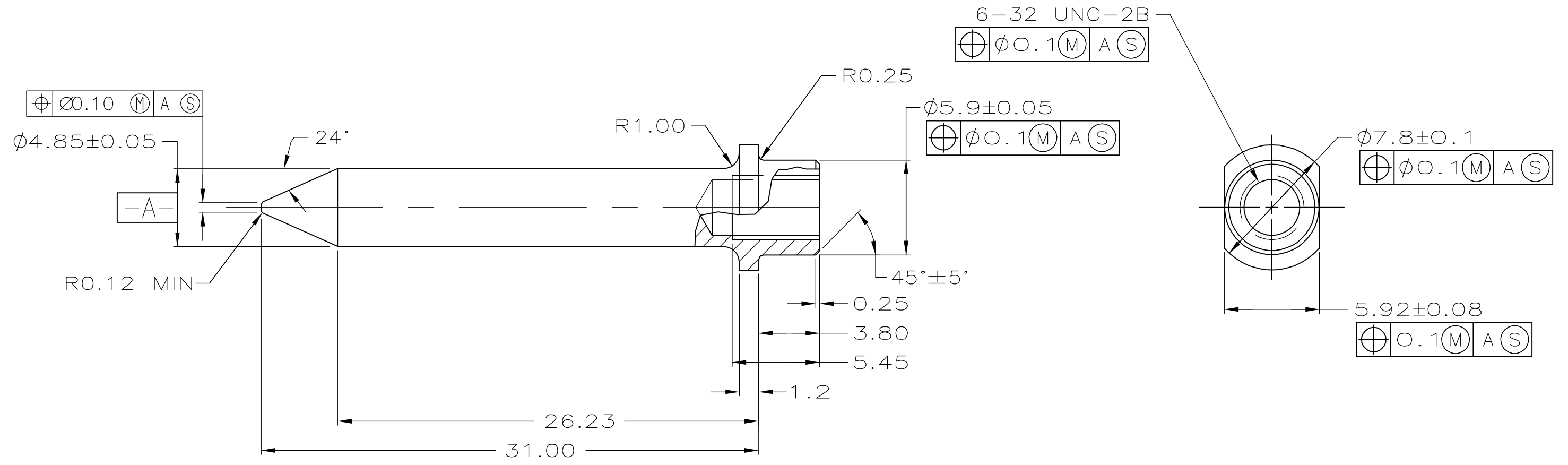


THIS DRAWING IS UNPUBLISHED. RELEASED FOR PUBLICATION  
 © COPYRIGHT BY TYCO ELECTRONICS CORPORATION. ALL RIGHTS RESERVED.

LOC	DIST	REVISIONS			
P	LTR	DESCRIPTION	DATE	DWN	APVD
AD	00	A	REV PER ECO-06-027841	28NOV2006	BC RP

① MATERIAL: STAINLESS STEEL.  
 ② FINISH: PASSIVATE.



1645369-1  
 PART NUMBER

THIS DRAWING IS A CONTROLLED DOCUMENT.		DWN B.CARBO	29NOV2006	Tyco Electronics Corporation Harrisburg, PA 17105-3608	
DIMENSIONS: mm		CHK R.PATTERSON	29NOV2006		
TOLERANCES UNLESS OTHERWISE SPECIFIED:		APVD R.PATTERSON	29NOV2006	NAME	
0 PLC ± - 1 PLC ± - 2 PLC ± 0.13 3 PLC ± - 4 PLC ± - ANGLES ± 30°		PRODUCT SPEC		GUIDE PIN, UNIVERSAL POWER MODULE	
MATERIAL		APPLICATION SPEC		SIZE	RESTRICTED TO
①		WEIGHT		A3	—
②		FINISH		CAGE CODE	DRAWING NO
		CUSTOMER DRAWING		A300779	C-1645369
		SCALE		SHEET	REV
		4:1		1 OF 1	A