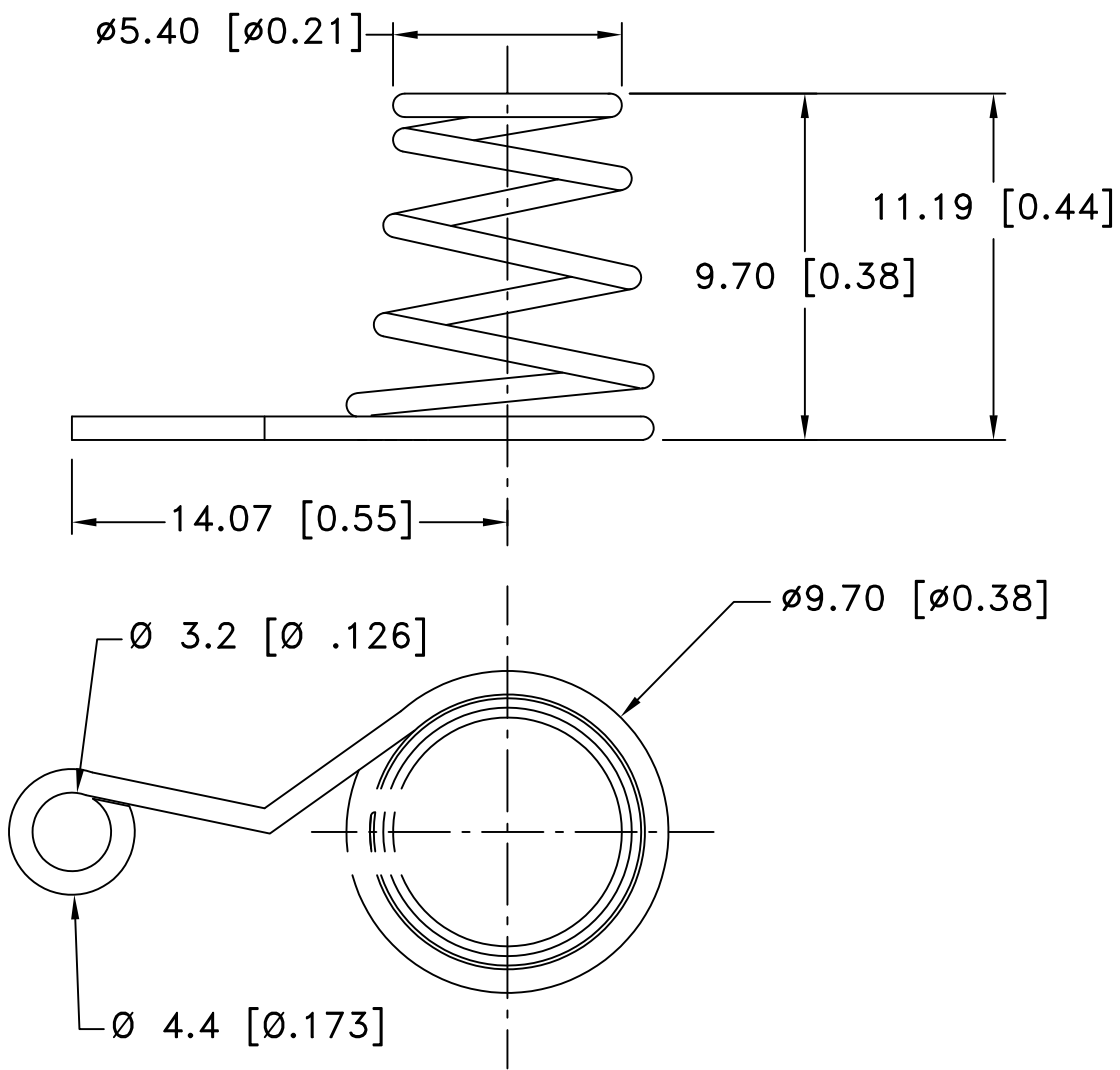



Date	SYM	REVISION RECORD	AUTH	DR.	CK.
2/13/09	A	ADDED DIM. Ø4.4 AND Ø3.2 MATERIAL WAS MUSIC WIRE	T.B.	B.S.	
4/17/09	B	ADDED "ROHS COMPLIANT"	T.B.	B.S.	



NOTES:

1. MATERIAL: Ø0.6mm SPRING STEEL, NICKLE PLTD.
2. TOTAL NO. OF COILS: 4
3. ENDS: ROUND  
ROHS COMPLIANT

Tolerance (Except as noted)	 <b>Memory Protection Devices, Inc</b> 200 Broad Hollow Road, Farmingdale, New York 11735		
decimal ±.5 (.020)		Scale	Drawn By B.S.
Fractional ± .8 (.030)	Title AA SPRING CONTACT WITH FEED THRU FEATURE		
Angular ± 3°	Date 4/17/09	Drawing Number 4-2	
			Approved By T.B.