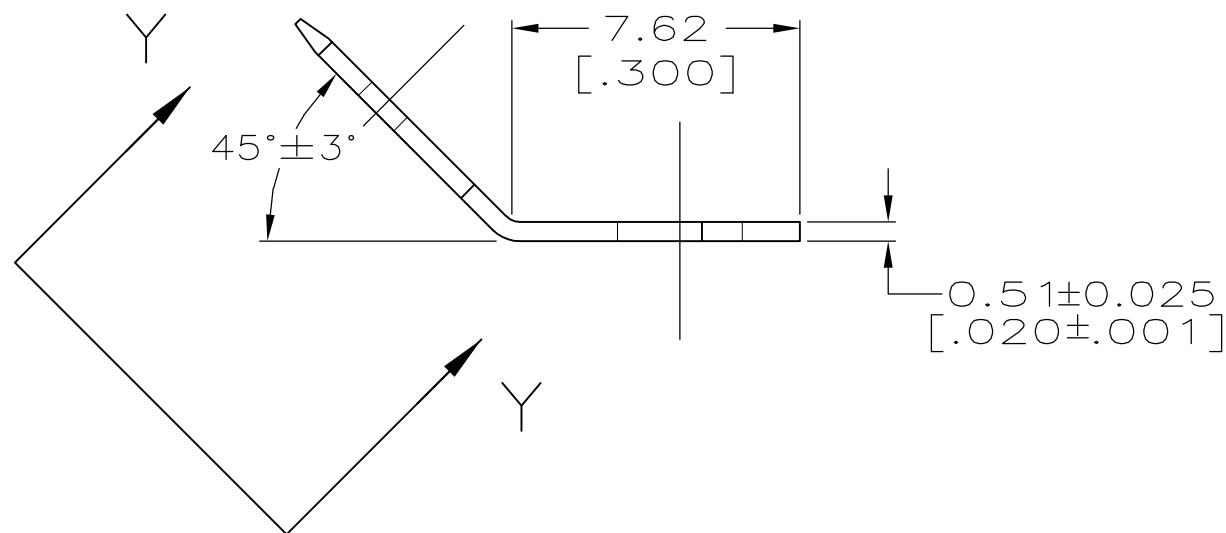
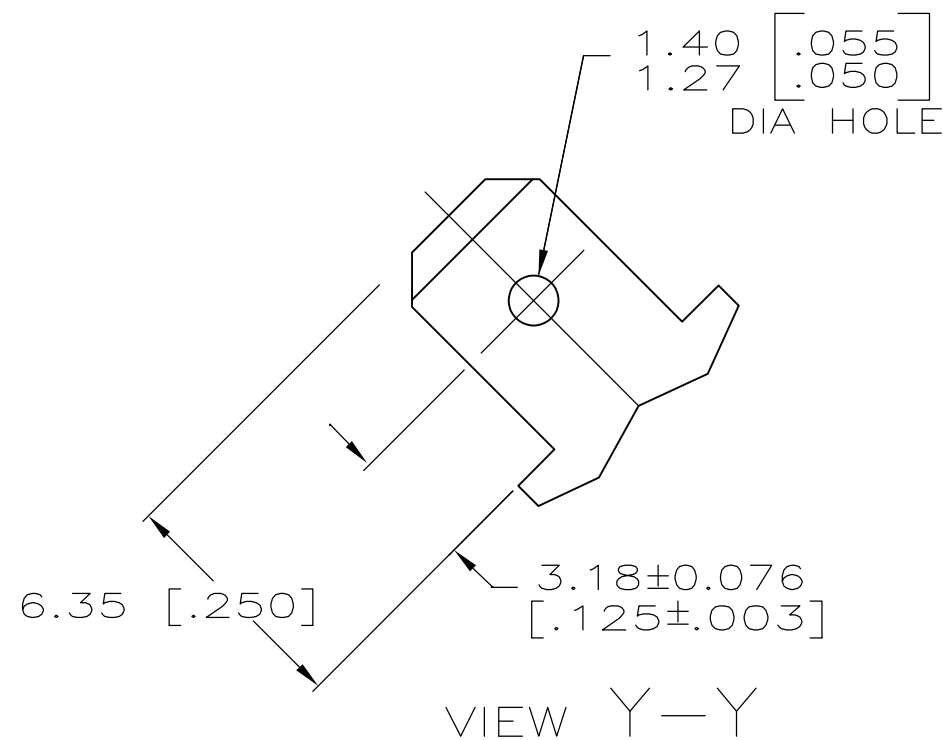
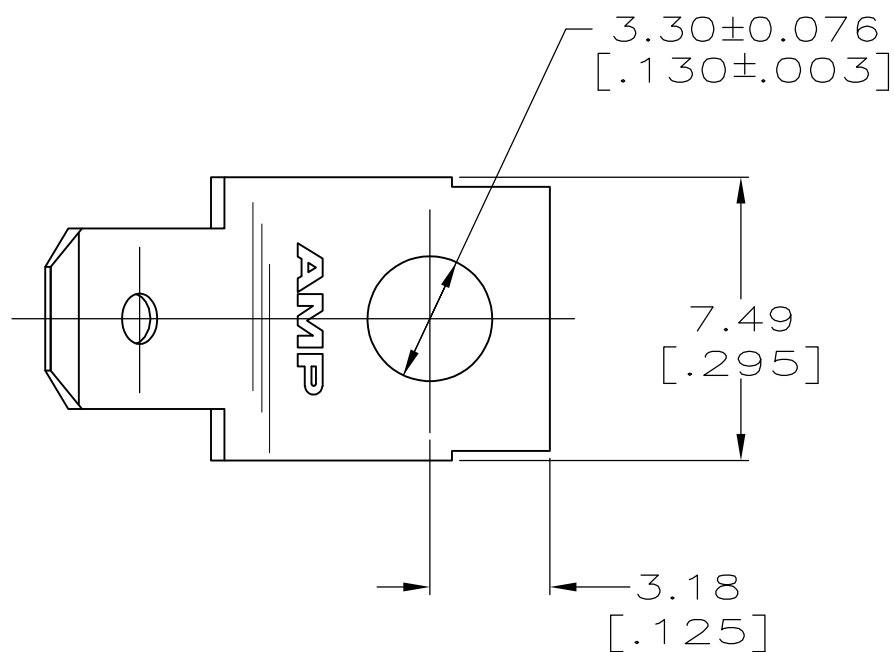


THIS DRAWING IS UNPUBLISHED. RELEASED FOR PUBLICATION  
 © COPYRIGHT BY TYCO ELECTRONICS CORPORATION. ALL INTERNATIONAL RIGHTS RESERVED.

LOC	DIST	REVISIONS			
P	LTR	DESCRIPTION	DATE	DWN	APVD
AF	50	G	REVISED PER ECR-10-004058	08JUN10	HMR PD

- 1 SUPPLIED IN LOOSE PIECE.
- △2 TIN PLATE
- △3 PRELIMINARY - NOT FOR PRODUCTION



-	△3	61761-3
△2		61761-2
FINISH		PART NO.

THIS DRAWING IS A CONTROLLED DOCUMENT.		DWN	JR RUTH	1/24/97	Tyco Electronics Corporation Harrisburg, PA 17105-3608											
DIMENSIONS: mm [INCHES]		CHK	MS FEHER	1/24/97												
TOLERANCES UNLESS OTHERWISE SPECIFIED:		APVD	J HUZVAR	1/24/97												
<table border="0"> <tr><td>0 PLC</td><td>± -</td></tr> <tr><td>1 PLC</td><td>± -</td></tr> <tr><td>2 PLC</td><td>± 0.38 [.015]</td></tr> <tr><td>3 PLC</td><td>± -</td></tr> <tr><td>4 PLC</td><td>± -</td></tr> <tr><td>ANGLES</td><td>± -</td></tr> </table>		0 PLC	± -	1 PLC		± -	2 PLC	± 0.38 [.015]	3 PLC	± -	4 PLC	± -	ANGLES	± -	PRODUCT SPEC	
0 PLC	± -															
1 PLC	± -															
2 PLC	± 0.38 [.015]															
3 PLC	± -															
4 PLC	± -															
ANGLES	± -															
MATERIAL		APPLICATION SPEC		TAB, FASTON, 4.75 [.187] SERIES												
082 BRASS		FINISH		SEE TABLE												
		WEIGHT	-		RESTRICTED TO											
		CUSTOMER DRAWING		SIZE	A3											
				CAGE CODE	00779											
				DRAWING NO	G-61761											
				SCALE	5:1											
				SHEET	1 OF 1											
				REV	G											