

PART NAME: KNOB SCALE: 1:1 DATE: 10/11/90 DR. BY HD

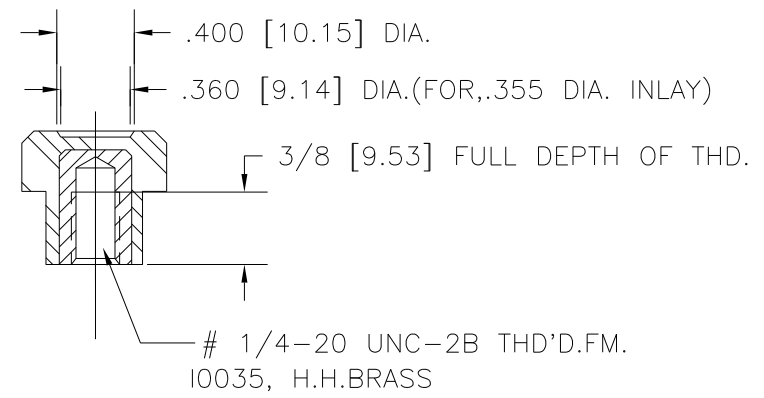
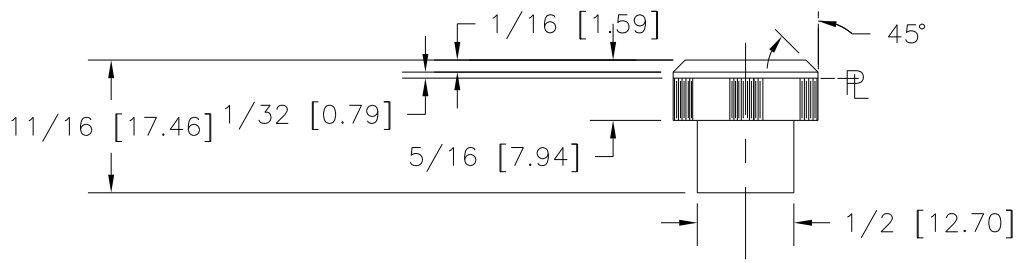
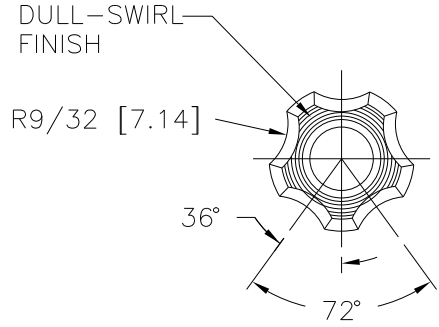
THIS DRAWING IS THE PROPERTY OF DAVIES MOLDING COMPANY, IS SUBMITTED SOLELY AS A DESIGN OR ENGINEERING PROJECT. WE ACCEPT NO RESPONSIBILITY WHATSOEVER FOR THE PRACTICAL APPLICATION OF THE PIECES MADE TO THIS DESIGN.



DESIGNERS & MANUFACTURERS OF KNOBS, HANDLES, CASES & CUSTOM PLASTIC COMPONENTS

P/N	2855-B
M NO.	# 68
CAVITY	2855
CORE	2855
CORE PLUG	2855
SLEEVE	2855
PIN	2855-B
INSERT	10035

CAD/REDRAWN : 8/27/92 : HD



(B) MATERIAL: NYLON 6/6 (ZY2), (ZY6)
OR ENGINEERING APPROVED EQUIVALENT
COLOR: BLACK

TOLERANCES: UNLESS OTHERWISE SPECIFIED	DO NOT SCALE DRAWING				
DECIMALS: X.XXX ± .005 X.XX ± .015	MM: X.XX ± 0.15MM X.X ± 0.4MM	B	ADDED ZY6	JAM	7/13/12
FRACTIONS ± 1/64	ANG. ± 1°	A	ADDED MAT. CODE	DS	1/8/07
CHANGES					