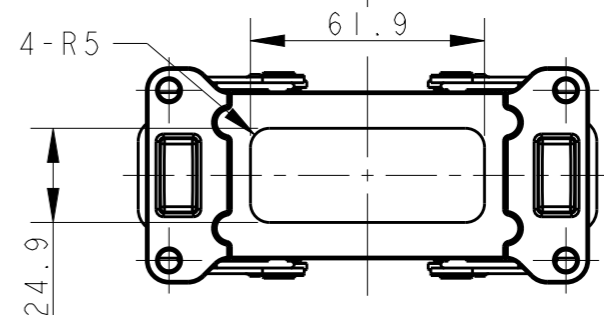
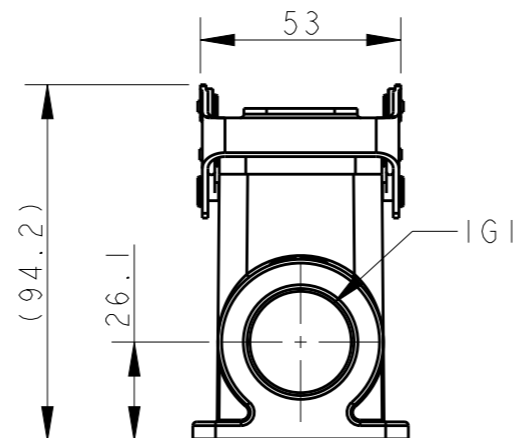
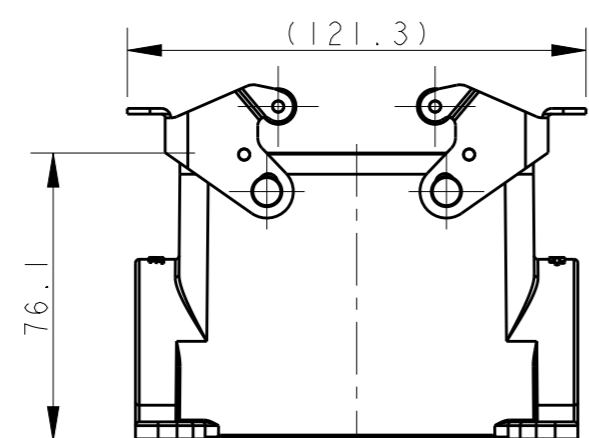
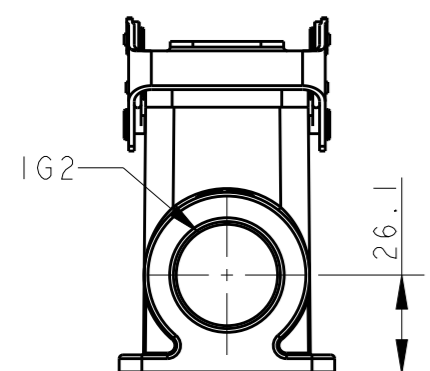
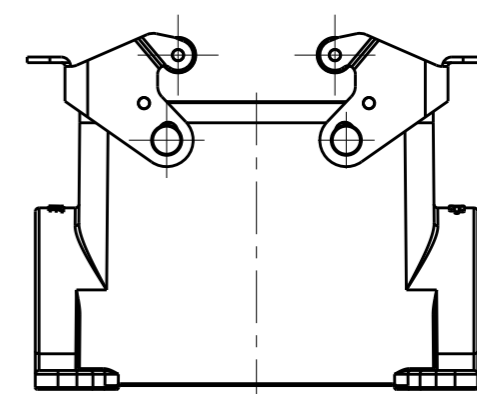
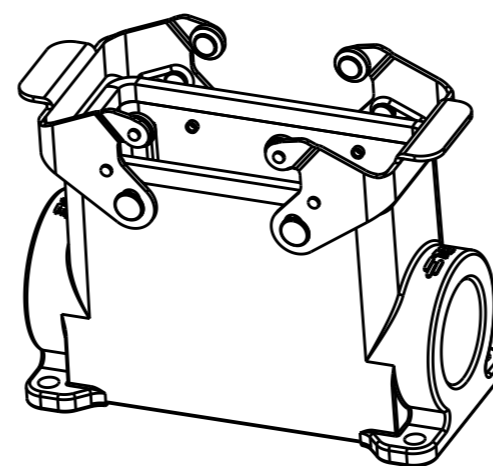
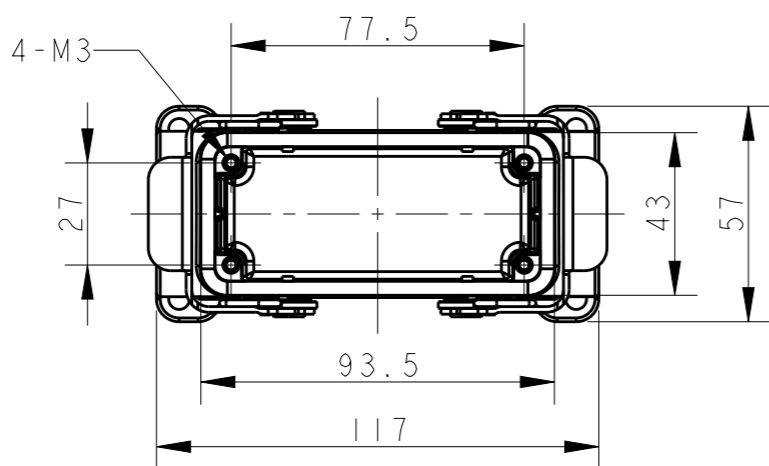


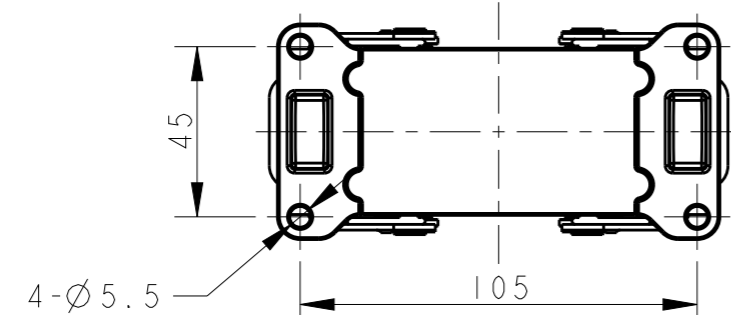
THIS DRAWING IS UNPUBLISHED. RELEASED FOR PUBLICATION 20  
 © COPYRIGHT 20 BY - ALL RIGHTS RESERVED.

REVISIONS

P	LTR	DESCRIPTION	DATE	DWN	APVD
	A	INITIAL RELEASE	22JUN2015	DL	CW



TYPE 2: HIGH BODY + STAINLESS STEEL LOCKING  
 SIDE ENTRY + BOTTOM CUT OUT  
 OTHER SPEC REFER TO TYPE 1



TYPE 1: HIGH BODY + STAINLESS STEEL LOCKING  
 SIDE ENTRY

T1470160000-000	TYPE 1	H16B-SGRHS-T	-	-
T1470161121-000		H16B-SGRHS-PG21	PG21	-
T1470161129-000		H16B-SGRHS-PG29	PG29	-
T1470161132-000		H16B-SGRHS-M32	M32	-
T1470161140-000		H16B-SGRHS-M40	M40	-
T1470161221-000		H16B-SGRHS-2PG21	PG21	PG21
T1470161229-000		H16B-SGRHS-2PG29	PG29	PG29
T1470161232-000		H16B-SGRHS-2M32	M32	M32
T1470165121-000		TYPE 2	H16B-SGRHS-PG21	PG21
ASSEMBLY PART NUMBER	TYPE	ASSEMBLY PART DESCRIPTION	IG1	IG2

NOTES:  
 1. TECHNICAL CHARACTERISTICS:  
 BODY MATERIAL: DIE CAST ALUMINIUM ALLOY  
 SURFACE TREATMENT: POWDER-COATED, GRAY  
 OPERATION TEMPERATURE: -40-+125°C  
 DEGREE OF PROTECTION: IP65 (MATED)

注释:  
 1. 技术参数:  
 主体材料: 铝合金  
 表面处理: 粉末喷涂, 灰色  
 工作温度: -40-+125°C  
 防护等级: IP65(配合)

THIS DRAWING IS A CONTROLLED DOCUMENT.		DWN 22JUN2015 DAVID LI	TE Connectivity		
DIMENSIONS: mm		CHK 22JUN2015 CHRIS WANG			
TOLERANCES UNLESS OTHERWISE SPECIFIED:		APVD 22JUN2015 XU XIANG	NAME H16B-SGRHS-PG/M		
		PRODUCT SPEC 108-137013	SIZE CAGE CODE DRAWING NO RESTRICTED TO		
MATERIAL TBD		APPLICATION SPEC 114-137013	A3	-	©-T147016XXXX000
FINISH		WEIGHT	SCALE 1:2 SHEET 1 OF 2 REV A		
-		CUSTOMER DRAWING			

4

3

2

1

THIS DRAWING IS UNPUBLISHED.

RELEASED FOR PUBLICATION

20

© COPYRIGHT 20

BY -

ALL RIGHTS RESERVED.

REVISIONS

P	LTR	DESCRIPTION	DATE	DWN	APVD
	-	SEE SHEET 1	-	-	-

TYPE 3: HIGH BODY + STEEL LOCKING  
SIDE ENTRY

T1470162121-000		HI6B-SGRH-PG21	PG21	-
T1470162129-000		HI6B-SGRH-PG29	PG29	-
T1470162132-000		HI6B-SGRH-M32	M32	-
T1470162221-000	TYPE 3	HI6B-SGRH-2PG21	PG21	PG21
T1470162225-000		HI6B-SGRH-2M25	M25	M25
T1470162229-000		HI6B-SGRH-2PG29	PG29	PG29
T1470162232-000		HI6B-SGRH-2M32	M32	M32
ASSEMBLY PART NUMBER	TYPE	ASSEMBLY PART DESCRIPTION	IG1	IG2

DIMENSIONS:		TOLERANCES UNLESS OTHERWISE SPECIFIED:		APPROVALS		TE Connectivity	
mm		0 PLC	±-	DWN	22JUN2015		
		1 PLC	±-	CHK	22JUN2015		
		2 PLC	±-	CHRIS WANG			
		3 PLC	±-	APVD	22JUN2015		
		4 PLC	±-	XU XIANG			
MATERIAL		FINISH		PRODUCT SPEC		NAME	
TBD				108-137013		HI6B-SGRH-PG/M	
				APPLICATION SPEC		SIZE	
				114-137013		A3	
				WEIGHT		CAGE CODE	
				-		-	
				CUSTOMER DRAWING		DRAWING NO	
						C-T147016XXXX000	
						RESTRICTED TO	
						-	
						SCALE	
						1:2	
						SHEET	
						2 OF 2	
						REV	
						A	

1470-19 (3/13)