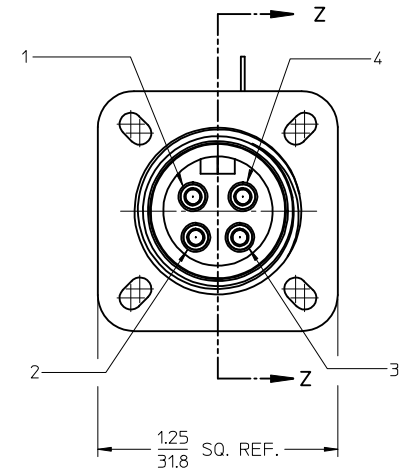
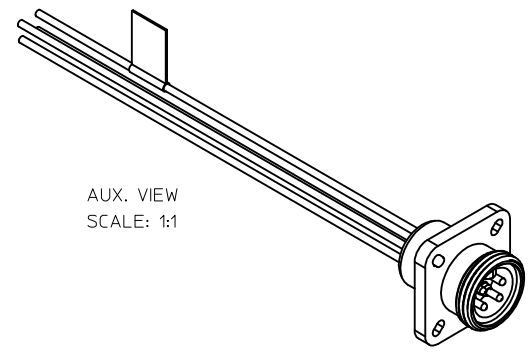
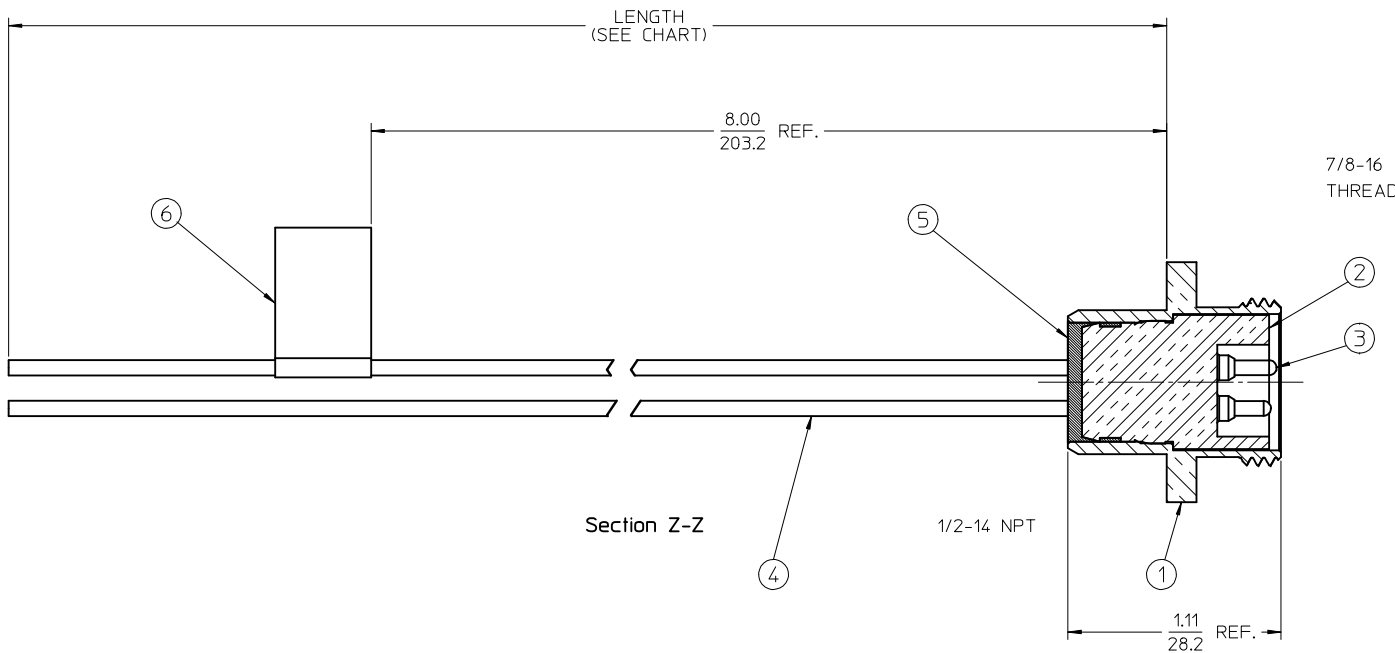
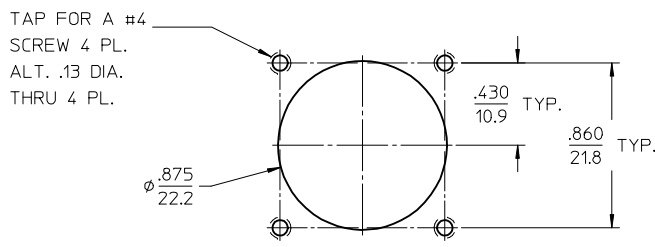


MATERIAL NO.	ENGINEERING NO.	LENGTH
1300130407	1R4G06A17A120	12.0 +.75 -0 (304.8 +19.1 -0)



- NOTES:  
 1. MATERIAL: SEE TABLE  
 2. FINISHES: SEE TABLE  
 3. MATES WITH: 4C MINI CHANGE CABLE  
 4. ELECTRICAL SPECIFICATIONS:  
 VOLTAGE RATING: 300V AC/DC  
 CURRENT RATING: 5.6 AMPS  
 5. ASSEMBLY IS RoHS COMPLIANT



RED/BLACK	1
RED/WHITE	2
RED	3
GREEN	3

WIRE DIAGRAM

6	1	LABEL	PLASTIC FILM	BLACK/YELLOW
5	1	POTTING MATERIAL	EPOXY	
4	4	WIRE, 18 AWG	PVC INSULATION	SEE WIRE DIAGRAM
3	4	CONTACT PIN	Cu ALLOY	GOLD PLATED
2	1	INSERT	PVC	YELLOW
1	1	RECEPTACLE SHELL	ALUMINUM	CLEAR ANODIZED
ITEM	QTY.	DESCRIPTION	MATERIAL	FINISH

RELEASED  
 EC NO: MNA2010-0125  
 DRWINRSTONE 2009/08/26  
 CHKD:B.WOODMAN 2009/08/26  
 APPR:J.MURPHY 2009/08/27

QUALITY SYMBOLS	GENERAL TOLERANCES (UNLESS SPECIFIED)
▽=0	mm INCH
▽=0	4 PLACES ± --- ± ---
	3 PLACES ± --- ± ---
	2 PLACES ± --- ± .01
	1 PLACE ± 0.3 ± ---
	ANGULAR ± 1/2°
	DRAFT WHERE APPLICABLE MUST REMAIN WITHIN DIMENSIONS

DIMENSION STYLE		SCALE	DESIGN UNITS	THIRD ANGLE PROJECTION
IN/MM		2:1	INCH	
DRAWN BY	DATE	TITLE		
R.STONE	2009/08/24	MINI-CHANGE, RECEPTACLE		
CHECKED BY	DATE	4P, MALE, 18 AWG		
B.WOODMAN	2009/08/27	FLANGED RECEPT SHELL		
APPROVED BY	DATE	MOLEX MOLEX INCORPORATED		
JFMURPHY	2009/08/26	MATERIAL NO. SD-130013-082		
SIZE		SHEET NO. 1 OF 1		
C		THIS DRAWING CONTAINS INFORMATION THAT IS PROPRIETARY TO MOLEX INCORPORATED AND SHOULD NOT BE USED WITHOUT WRITTEN PERMISSION		