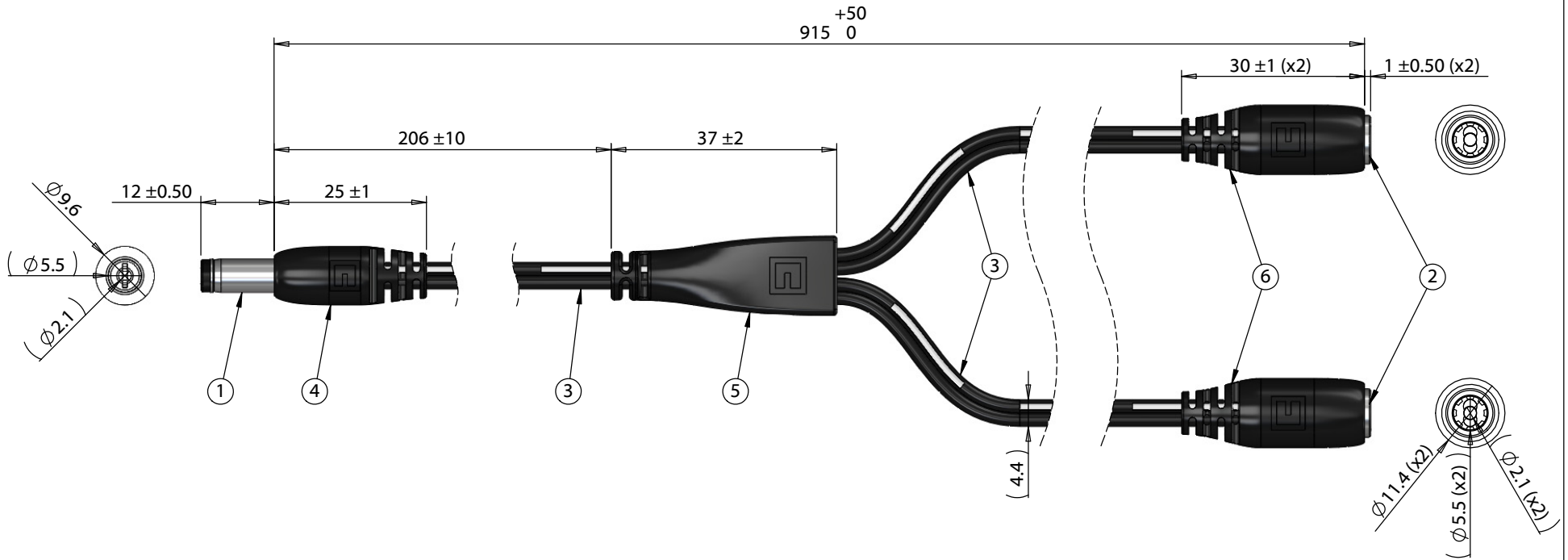


ITEM NO.	PART NUMBER	DESCRIPTION	QTY.	COMPONENT NOTES
1	50-00024	Connector, dc plug, 5.5x2.1xL23 mm, molding style, spring contacts	1	
2	50-00025	Connector, dc jack, 5.5x2.1xL17.4 mm, molding style	2	
3	30-00007	Wire, 2C BC, 18 AWG, UL2468, 300V, 80C, 4.4 mm, VW-1, PVC, 87A	3	
4	24-00003	Overmold, PVC	1	black
5	24-00195	Overmold, splitter, $\varnothing$ 8.0 mm by 10.0x13.0 mm	1	black
6	24-00004	Overmold, PVC	2	black



50-00024	wire color	50-00025
center	black with stripe	center
sleeve	black	sleeve

**Notes:**  
Functionally equivalent components may be substituted

Revision:	Date:	Description:	Prepared:	Notes: RoHS and REACH compliant  Function test: no open, no short circuit, no intermittent	<h1>TENSILITY</h1> tel 1.541.323.3228 800 877.670.7118 fax 1.541.323.4202 web tensility.com
A	4/13/2018	Initial release	Verified:		
			Dimensions are in millimeters. Tolerances: X: ± 0.5 mm X.X: ± 0.3 mm X.XX: ± 0.05 mm		
			Description:	Cable, 915 mm, 5.5x2.1x12 mm 50-00024 dc plug to y-split to 2x 5.5x2.1 mm 50-00025 dc jack, 18 AWG	Size: A
					Part number: 10-02776
					Scale: 1:1
					Sheet 1 of 1

5

4

3

2

1