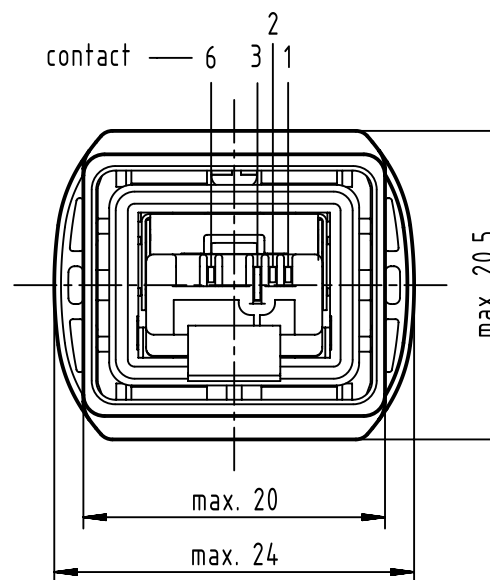
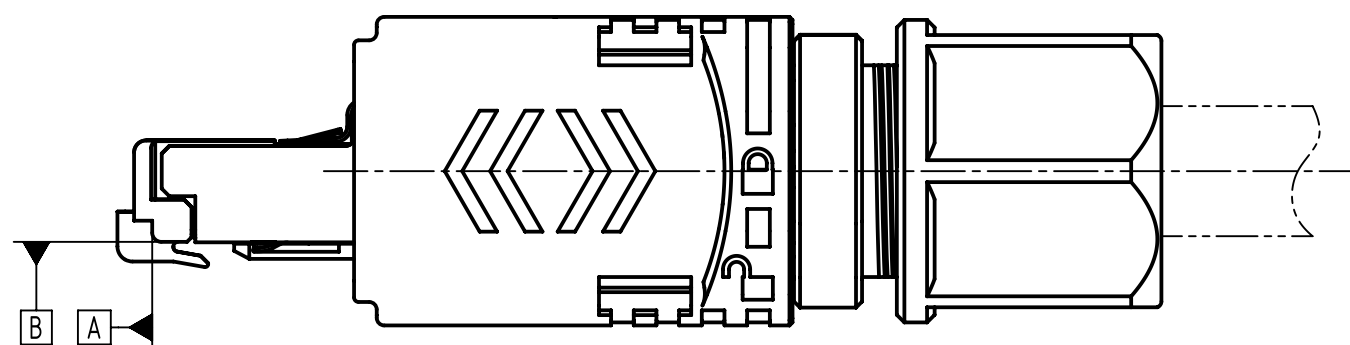
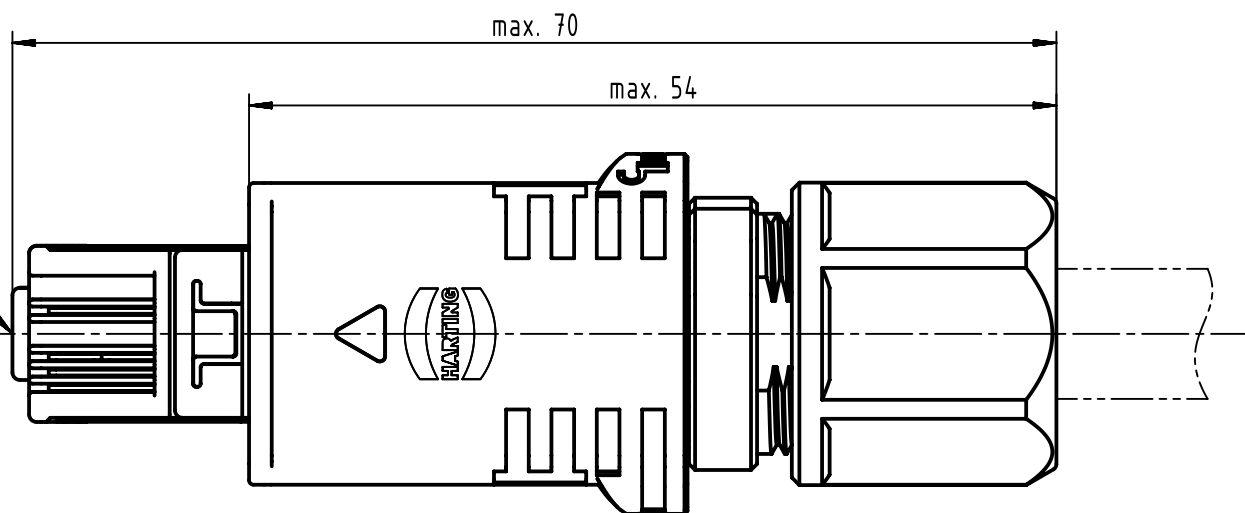


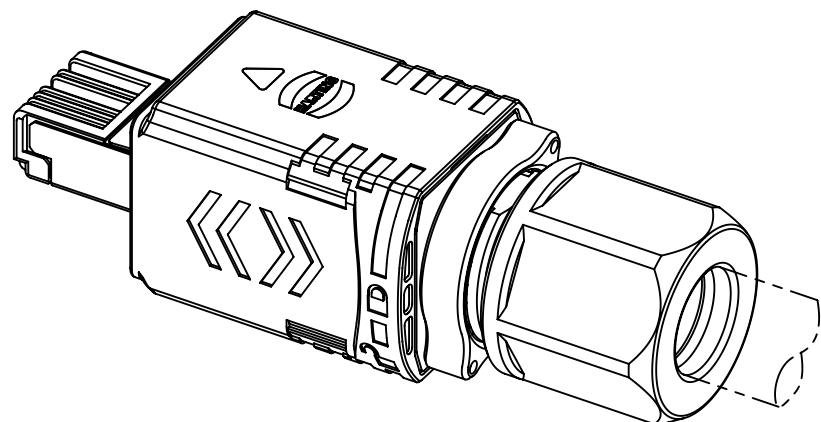
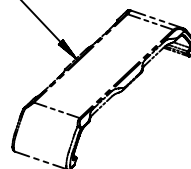
PushPull V4 Plug and RJ45, not assembled




mating face
acc. to IEC 61076-3-106



Coding Clip for Plug
see TB 0945840000X
please order separately



further information see DS 09455100600

	All Dimensions in mm Original Size DIN A3	Scale 2:1	Free size tol.		Ref.	
	All rights reserved Department EC PD - DE	Created by HASELOH	Inspected by LUECKEMEIERM	Standardisation HOFFMANN	Date 2017-04-04	State Final Release
HARTING Electronics GmbH D-32339 Espelkamp		Title HARTING PushPull V4 Plug, RJ45, Cat.5, IDC,4-pole			Doc-Key / ECM-Nr. 100657688/UGD/000/D 500000117442	
		Type TB	Number 09451451106		Rev. D	Page 1/1