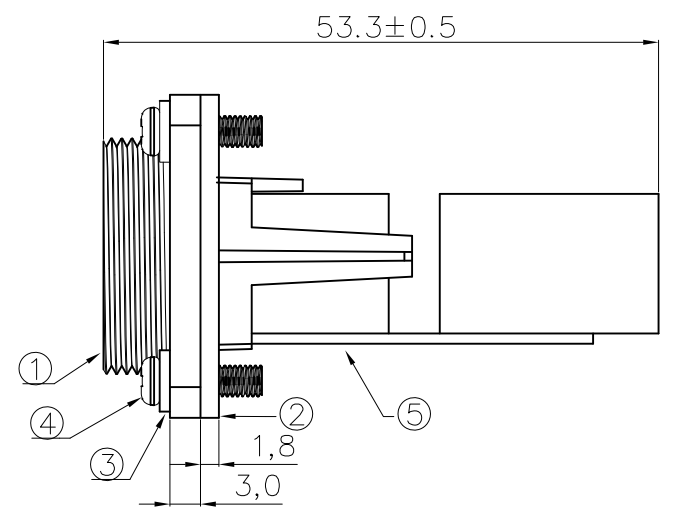
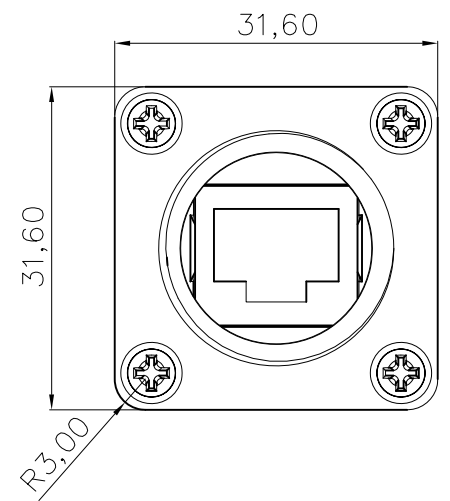
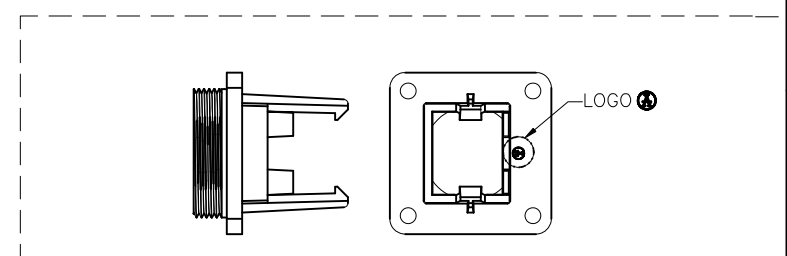
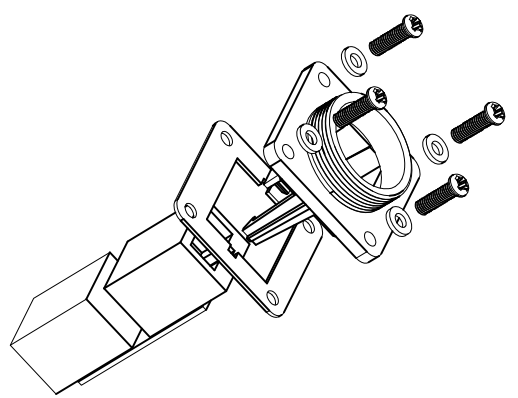


Recommended Panel Cut-Out



**NOTES:**

Waterproof Rate: IP67  
 Connector: Black, ABS  
 Set ② ③ ④ in one 1#Zipper Bag



**RoHS compliant**

Scale	Free						Date	Name	Customer-No.
TOLERANCE						Drawn	27.09.2007	N.Schulz	
.X	±0.25					Approved	06.07.2009	Hellwig	ASSMANN WSW-No.
.XX	±0.1								<b>A-RJ45GFS</b>
.XXX	±0.05								Drawing-No.
Angle	±1°	③	Update	06.07.2009	Dean			ASS 2350 CO	rev02
		①	Drawn	27.09.2007	N.Schulz			Replace	Sheet
		Id.	Modification	Date	Name				