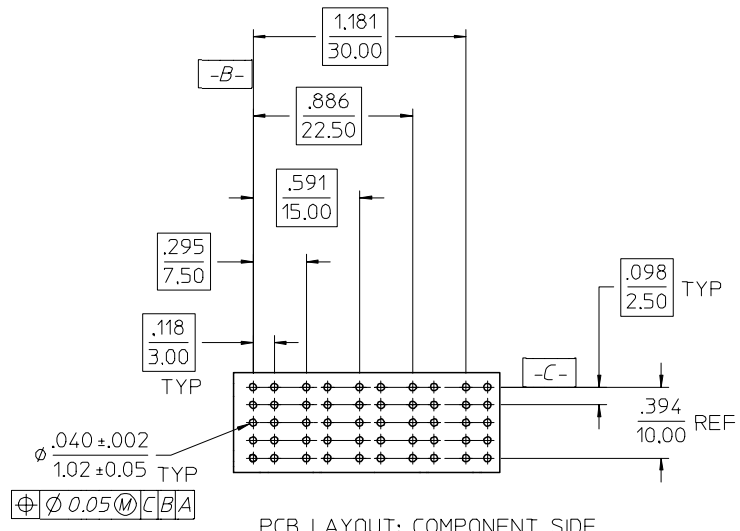
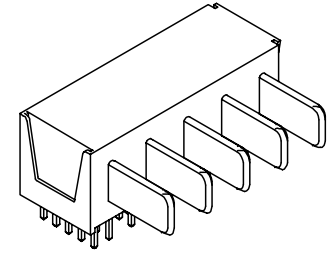
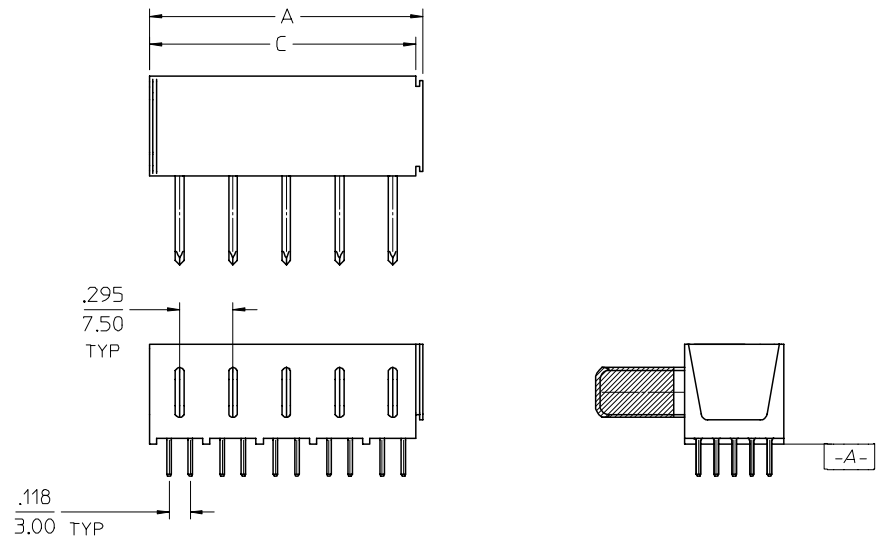


CKT	A	C
2	.630 16.00	.590 15.00
3	.925 23.50	.886 22.50
4	1.220 31.00	1.181 30.00
5	1.516 38.50	1.476 37.50



CKT	MATERIAL No	P	PCB THK
2	45505-2001	.177 4.50	.125 3.18
3	45505-3001		
4	45505-4001		
5	45505-5001	.143 3.60	.093 2.36
2	45505-2002		
3	45505-3002		
4	45505-4002	.115 2.92	.062 1.57
5	45505-5002		
2	45505-2003		
3	45505-3003	.115 2.92	.062 1.57
4	45505-4003		
5	45505-5003		

EC NO: UCP2005-1042 DRWN: KSAMIEC CHKD: 2005/03/21 APPR: YMARGULI 2005/03/24	DESCRIPTION REV	GENERAL TOLERANCES (UNLESS SPECIFIED)		DIMENSION STYLE IN/MM		SCALE 1:1	DESIGN UNITS METRIC	THIRD ANGLE PROJECTION	
		4 PLACES	± ---	± ---	DRAWN BY KSAMIEC	DATE 2003/02/10	TITLE POWER DOCK MODULE POWER PLUG 250V RTAN 12.5 SOLDER TAIL MOLEX INCORPORATED DOCUMENT NO. SD-45505-001		
		3 PLACES	± ---	± ---	CHECKED BY MARGULIS	DATE 2003/02/10			
		2 PLACES	± 0.25	± ---	APPROVED BY MARGULIS	DATE 2003/02/10			
		1 PLACE	± 0.50	± ---	ANGULAR ± 1/2°				
DRAFT WHERE APPLICABLE MUST REMAIN WITHIN DIMENSIONS				SIZE A	THIS DRAWING CONTAINS INFORMATION THAT IS PROPRIETARY TO MOLEX INCORPORATED AND SHOULD NOT BE USED WITHOUT WRITTEN PERMISSION				

6

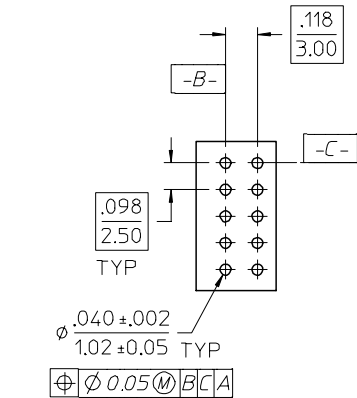
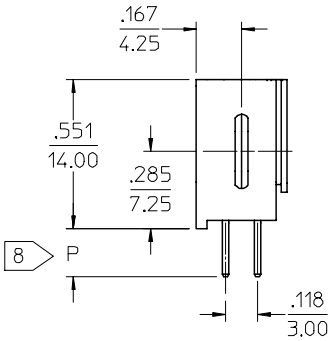
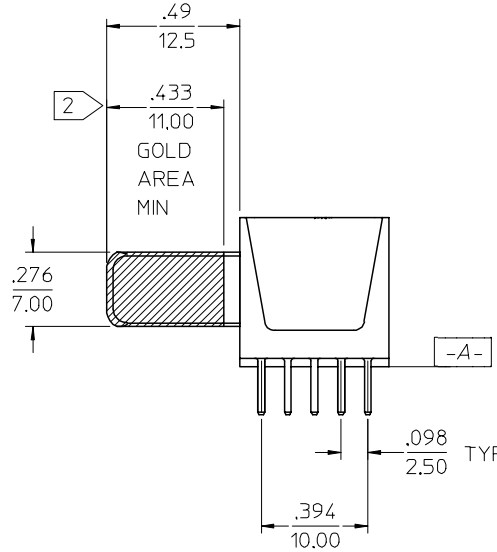
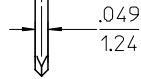
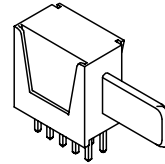
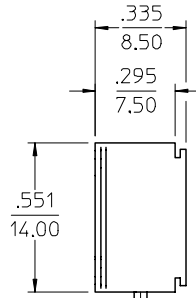
5

4

3

2

1



NOTES:

- HOUSING MAT'L: LCP, GLASS FILLED, UL 94V-0, BLACK
- CONTACT MAT'L: COPPER ALLOY
FINISH: SELECT GOLD - 30 MI MIN
SELECT TIN - 150 MI MIN
BOTH OVER NICKEL - 50 MI MIN
GOLD TO BE SPECIFIED THK IN THIS AREA
- PRODUCT SPECIFICATION: PS-45424-001
- PACKAGING SPECIFICATION: PK-45485-001
- THIS MODULE INTERLOCKS WITH ALL STANDARD MOLEX POWER DOCK MODULES.
- DATUM -A- IS THE CONNECTOR MOUNTING SURFACE.
- THE PRIMARY SHIPPING CARTON WILL BE LABELED "COMPLIANT TO RoHS DIRECTIVE 2000/95/EC AND ELV ANNEX II OF DIRECTIVE 2000/53/EC". CARTONS WITHOUT THIS LABEL MAY CONTAIN PRODUCT WITH TIN/LEAD PLATING.
- PC TAILS MAY BE BLUNT CUT TO LENGTH.

MATERIAL No	P	PCB THK
45505-0001	.177 4.50	.125 3.18
45505-0002	.143 3.60	.093 2.36
45505-0003	.115 2.92	.062 1.57

EC NO: UCP2005-1042 DRWN:KSAMIEC 2005/03/21 CHKD: 2005/03/21 APPR:YMARGULI 2005/03/24	DESCRIPTION	GENERAL TOLERANCES (UNLESS SPECIFIED)		DIMENSION STYLE IN/MM		SCALE 1.5:1	DESIGN UNITS METRIC	THIRD ANGLE PROJECTION
		4 PLACES ± --- ± ---	3 PLACES ± --- ± ---	2 PLACES ± 0.25 ± ---	1 PLACE ± 0.50 ± ---	ANGULAR ± 1/2°	DRAWN BY DATE KSAMIEC 2003/02/10 CHECKED BY DATE MARGULI S 2003/02/10 APPROVED BY DATE MARGULI S 2003/02/10 MATERIAL NO.	
DRAFT WHERE APPLICABLE MUST REMAIN WITHIN DIMENSIONS		SIZE A		THIS DRAWING CONTAINS INFORMATION THAT IS PROPRIETARY TO MOLEX INCORPORATED AND SHOULD NOT BE USED WITHOUT WRITTEN PERMISSION			TITLE POWER DOCK MODULE POWER PLUG 250V RTAN 12.5 SOLDER TAIL	
PCB LAYOUT: COMPONENT SIDE		MOLEX INCORPORATED		DOCUMENT NO. SD-45505-001		SHEET NO. 1 OF 2		

5

4

3

2

1