

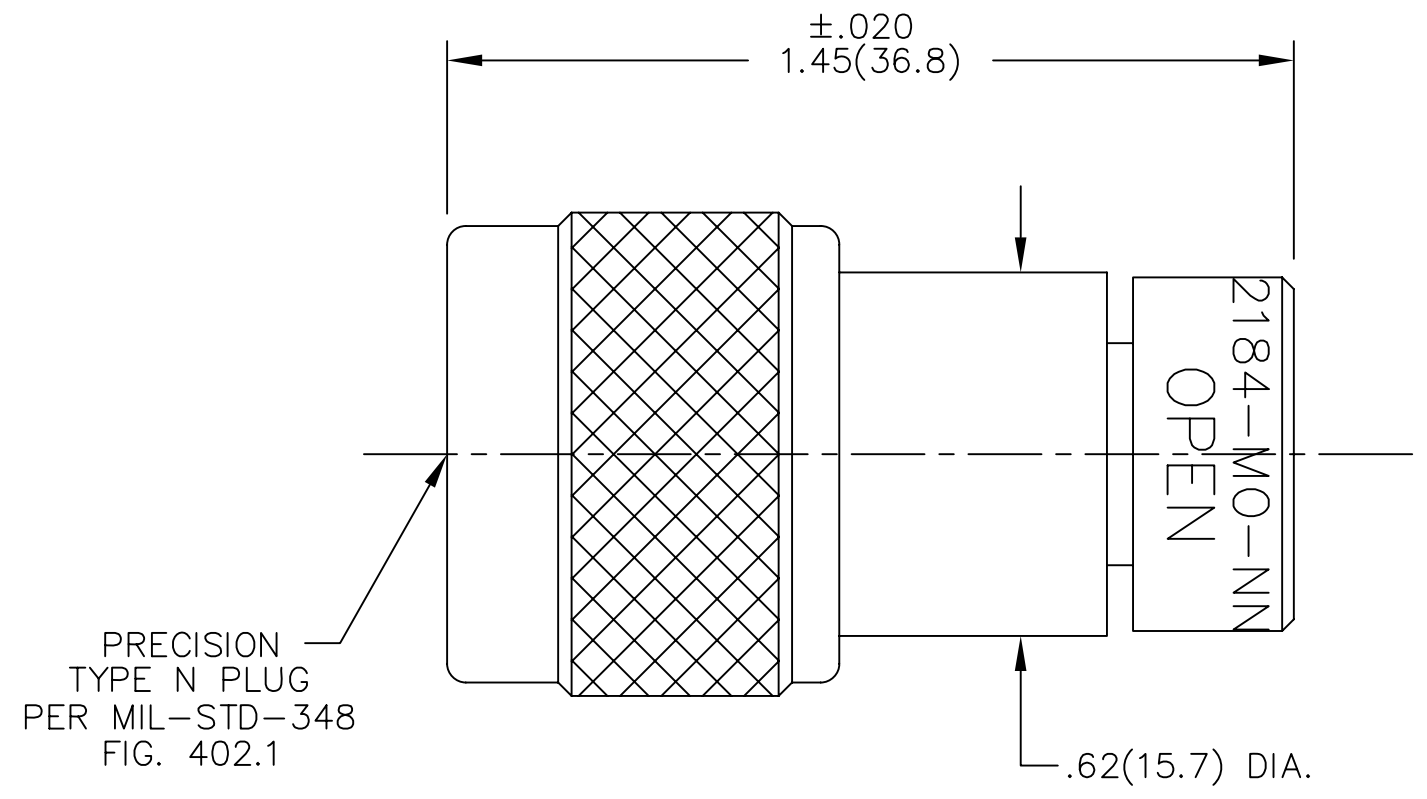
NOTES:

- 1.0 MATERIALS:
  - 1.1 COUPLING NUT & HOUSINGS:  
STAINLESS STEEL PER ASTM-A582, TYPE 303.
  - 1.2 CENTER CONTACT: BERYLLIUM COPPER ROD  
ALLOY C172, PER ASTM-B196.

- 2.0 PLATING:
  - 2.1 COUPLING NUT & HOUSINGS:  
PASSIVATED PER MIL-F-14072 & QQ-P-35.
  - 2.2 CENTER CONTACT: GOLD PER MIL-G-45204,  
TYPE II, CLASS 2

3.0 MARKING: MARK UNIT AS SHOWN  
 OPN-2184-MO-NNN-02  
 OPEN  
 THE WORD "OPEN"  
 SHOULD BE AS BIG  
 & AS BOLD AS POSSIBLE

4.0 DIMENSIONS IN PARENTHESIS ARE IN  
 MILLIMETERS.



REV.	DESCRIPTION	DATE
-	RELEASED	1/6/95
A	ECN 14348	3/9/95
B	ECN 14596	7/27/95
B1	ADDED TITLEBLOCK	7/14/05

UNLESS OTHERWISE NOTED DIMENSIONS ARE IN INCHES AND TOLERANCES ARE:  3 PLACE DECIMALS ±.005 2 PLACE DECIMALS ±.02 FRACTIONS ±1/64 PARALLELITY: T.I.R. _____ FLATNESS: T.I.R. _____ CONCENTRICITY: T.I.R. _____ ANGLES AND PERPENDICULARITY: ±1°	FSCM NO. <b>34078</b>	<b>MIDWEST MICROWAVE</b>	
	NOTICE: The information contained in this drawing is proprietary and must not be used without the permission of Midwest Microwave		TITLE TYPE N PLUG OPEN CIRCUIT TERMINATION
DRAWN/DATE A.BEATTY 12/27/94	ENG./DATE A.OSGA 1/6/95	DRAWING NUMBER OPN-2184-MO-NNN-02	
CHECKED/DATE M.HOLLMAN 1/5/95	APPROVED/DATE	SCALE: 3=1	SHEET 1 of 1