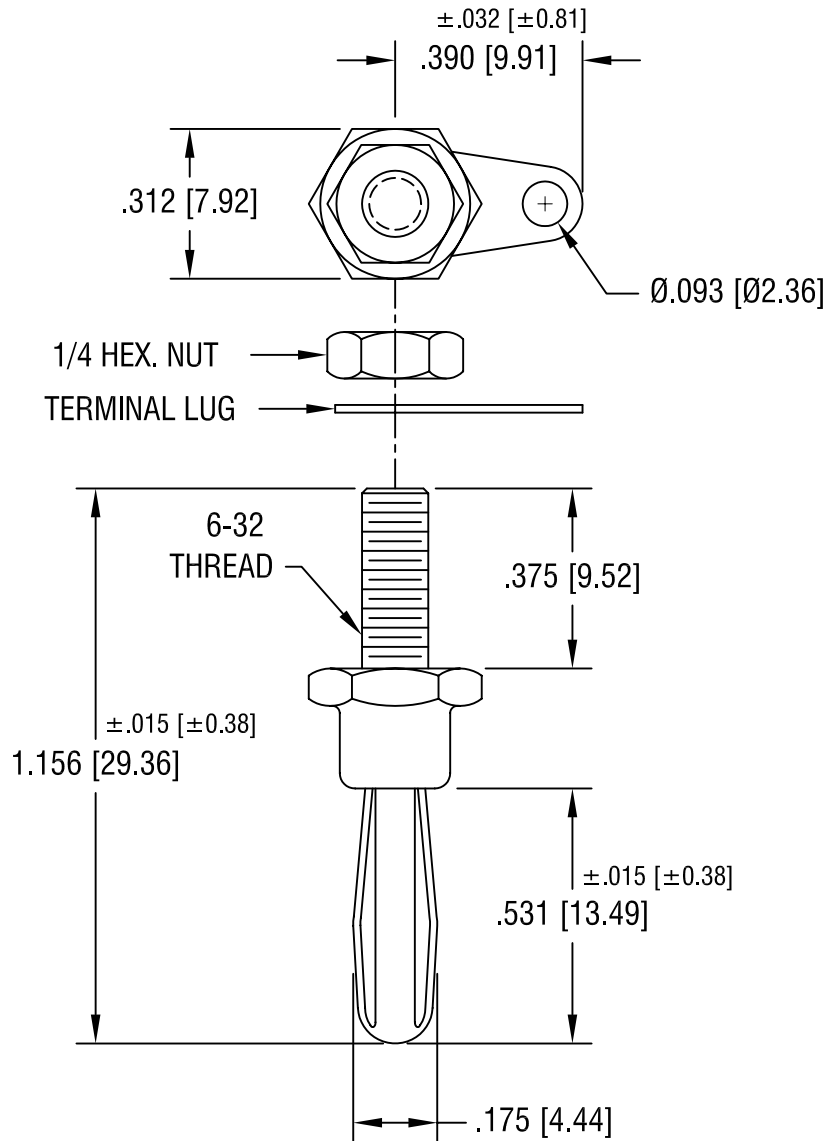


THIS DOCUMENT IS THE PROPERTY OF
KEYSTONE ELECTRONICS CORP. AND
SHALL NOT BE REPRODUCED, DISTRIBUTED
OR USED AS A BASIS FOR MANUFACTURE
WITHOUT PRIOR WRITTEN PERMISSION
FROM KEYSTONE ELECTRONICS CORP.



NOTES:

- 1. SPRING: MAT'L - PHOSPHOR BRONZE, NICKEL PLATE
- BODY: MAT'L - BRASS, NICKEL PLATE
- TERMINAL LUG: MAT'L - BRASS, TIN PLATE
- NUT: MAT'L - STEEL, ZINC PLATE

KEYSTONE ELECTRONICS CORP.			
ASTORIA, N.Y. 11105-2017			
PART NAME		BANANA PLUG	
MATERIAL		AS NOTED	
FINISH	AS NOTED	DRN BY	BOONE
		APP'D	LN
		DATE	12.17.82
		SCALE	2.5X
TOLERANCES	INCH [MM]	CODE	DWG NO.
DECIMAL	± .005 [± 0.15]	C	6074-1
ANGULAR	± 1°		
UNLESS OTHERWISE SPECIFIED			

6.4.07	CHANGE AS PER ECN 07-030	D	
DATE	DESCRIPTION	REV.	