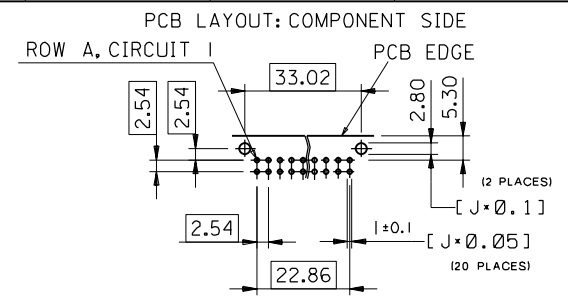
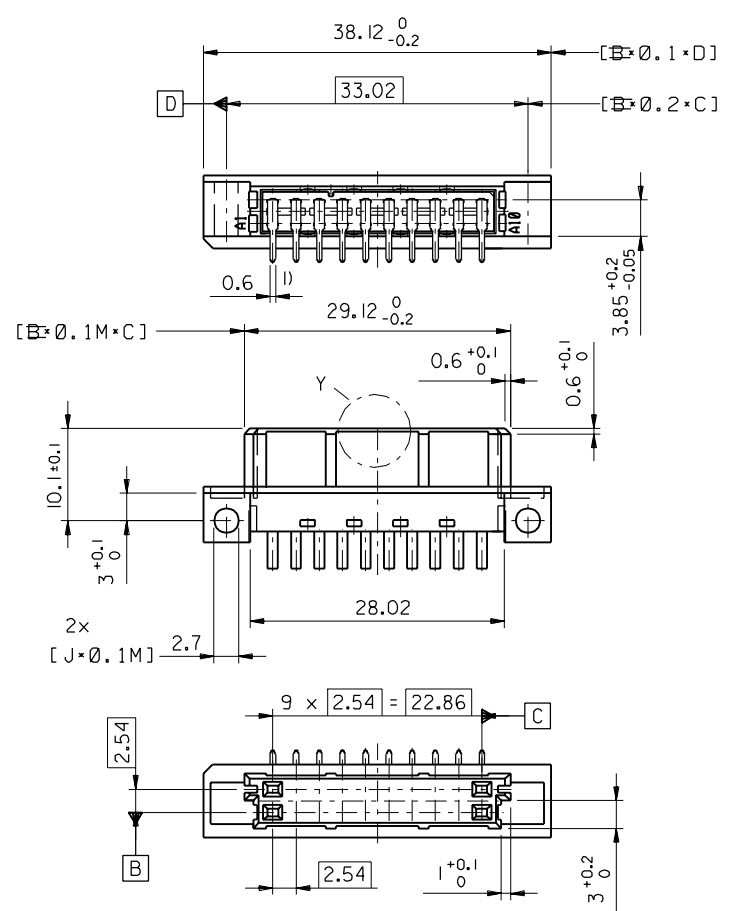
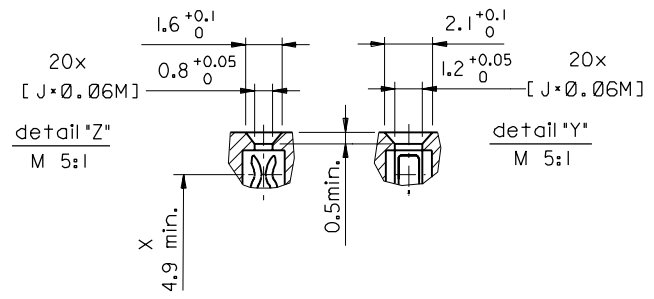
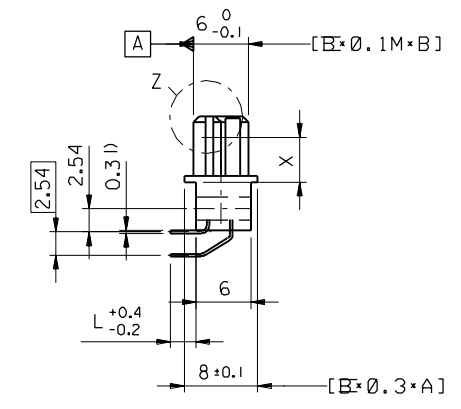


PART NO.
DWG. NO.



1) tails to fit in PC-board layout



ECN MG1998-2586 L +0.4-0.2, Lockbild 97-09-17 KN	REVISIONS FOR PREVIOUS REVISIONS SEE MR LIST	FIRST ANGLE PROJECTION		REVISE ONLY ON CAD SYSTEM		SH.	REV.	
		UNLESS OTHERWISE SPECIFIED TOLERANCES: ANGULAR $\pm 2^\circ$	DRWG BY KN	SIGN	CAD/CAM PROJECT NAME 85050000 s31	THIS DRAWING CONTAINS INFORMATION THAT IS PROPRIETARY TO MOLEX INC. & SHOULD NOT BE USED WITHOUT WRITTEN PERMISSION		
		INCH	METRIC	CHK'D BY Ca	SIGN	TITLE 20 pos. female connector DIN 41612 style Q/3 Dimensions		
		3 PLACE \pm	\pm	APP'D BY JB	SIGN	MOLEX EUROPE		
		2 PLACE \pm	\pm	SCALE 2:1		SHEET NO. DATE 1 of 1 96/04/25		
		1 PLACE \pm	\pm			PART NO. SDA-85050-0003	SIZE B	
		DRAFT WHERE APPLICABLE MUST REMAIN WITHIN DIMENSIONS						
		DESIGN DIMENSION	<input checked="" type="checkbox"/> MM					
		EQUIVALENT DIMENSION	<input type="checkbox"/> MM					
			<input type="checkbox"/> IN.					
			<input type="checkbox"/> IN.					
		IF TWO DIMENSIONS ARE SHOWN THE UPPER IS THE DESIGN DIMENSION, LOWER IS SECONDARY						

