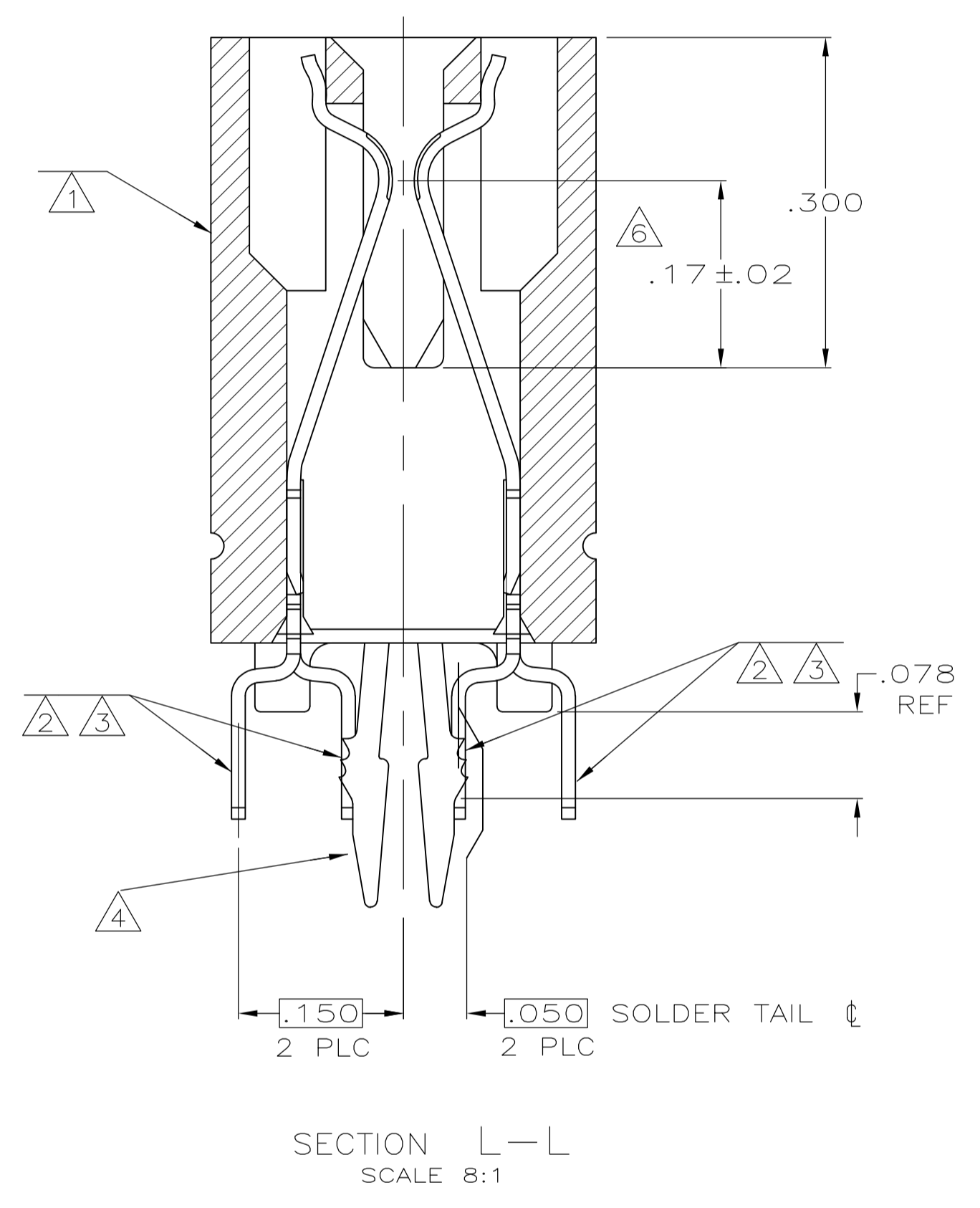
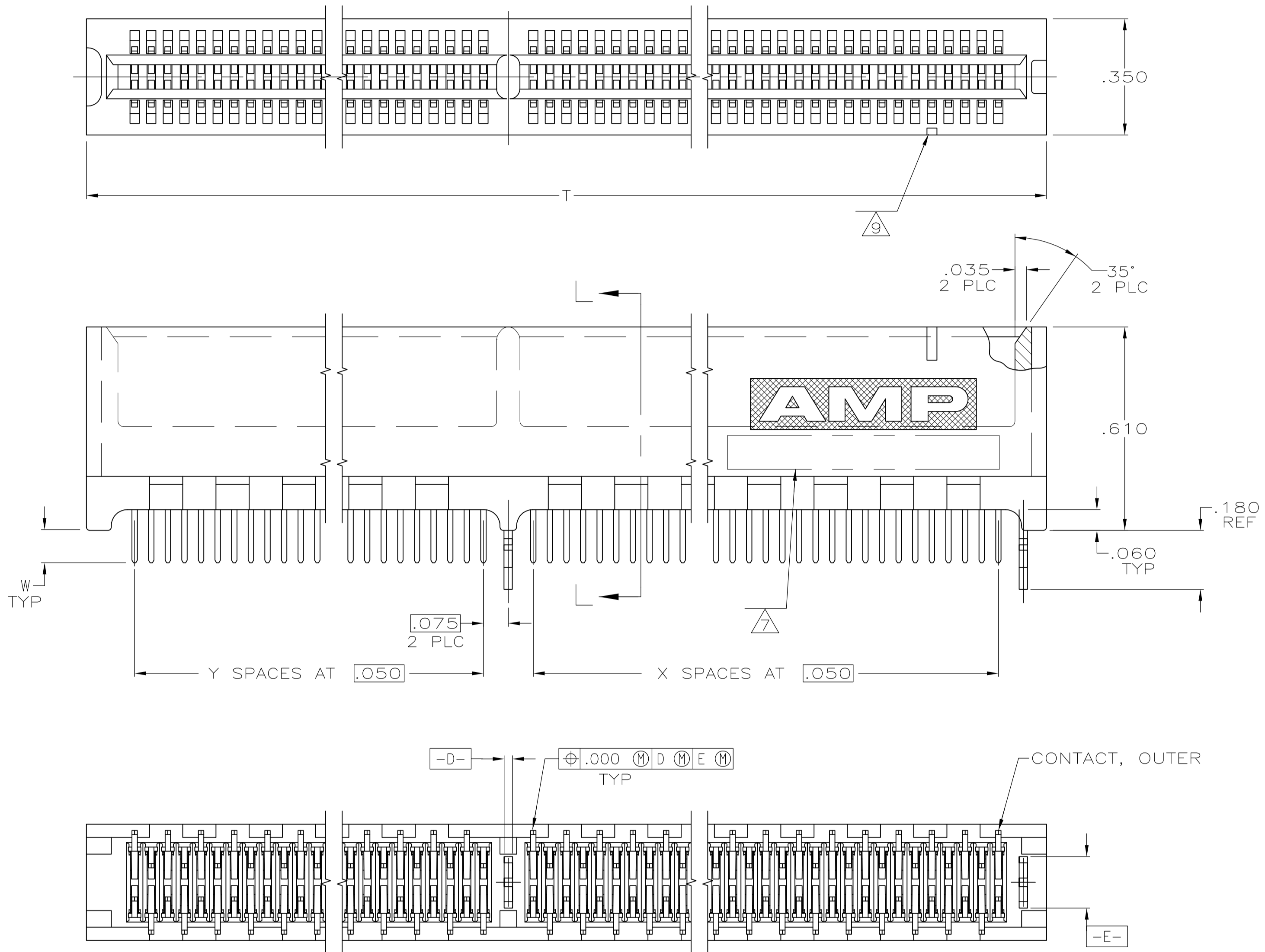


LOC		DIST		REVISIONS			
GP	00	REV	DATE	DESCRIPTION	DATE	BY	APPV
		0	02 AUG 05	RELEASED PER EC 0512-0287-04		AWF	AWF
		01	07NOV09	REVISED PER ECO-09-024927		KK	AEG



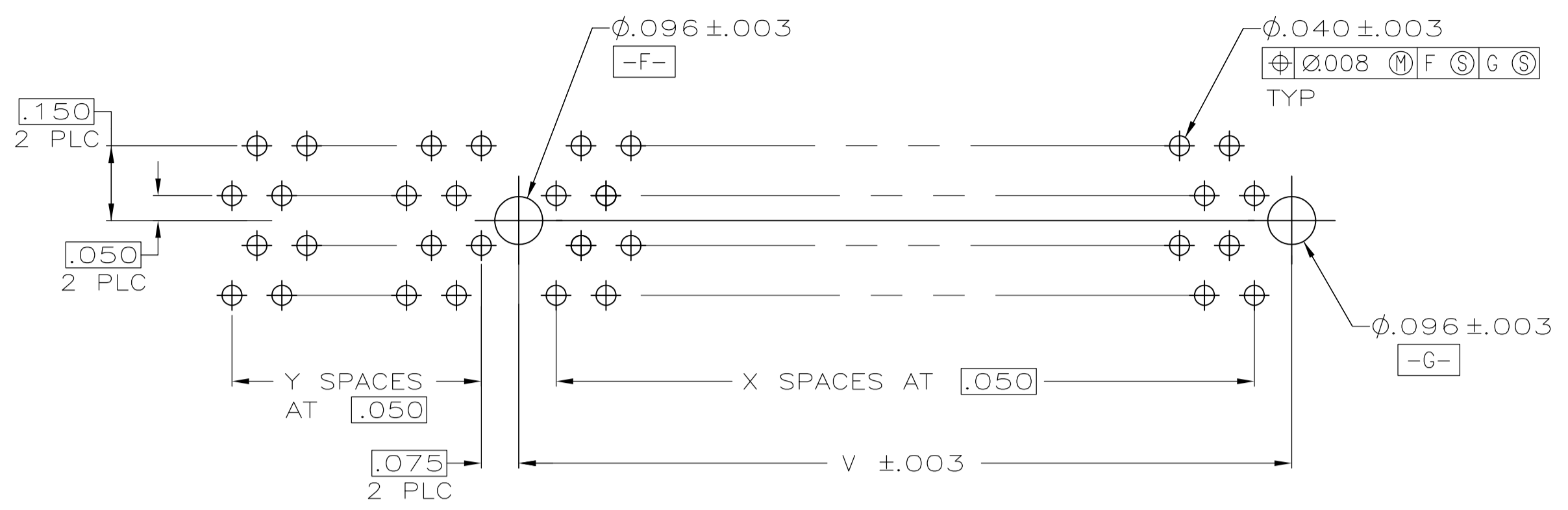
- 1 HOUSING: HIGH TEMPERATURE THERMOPLASTIC. COLOR: BROWN.
- 2 CONTACT: PHOSPHOR BRONZE.
- 3 CONTACT FINISH: .000050 MIN NICKEL ALL OVER.
.000030 MIN GOLD OVER NICKEL IN CONTACT AREA.
.000100 MIN MATTE TIN OVER NICKEL ON SOLDER TAILS.
- 4 METAL HOLD DOWN: BRASS
- 5 METAL HOLD DOWN FINISH: .000050 MIN NICKEL ALL OVER,
.000150 MIN MATTE TIN ALL OVER
- 6 DISTANCE FROM CONTACT POINT TO BOTTOM OF CARD SLOT.
- 7 AMP PART NUMBER, DATE CODE AND CSA LOGO MARKED IN APPROXIMATE AREA SHOWN.
- 8 DISTANCE FROM CONTACT POINT TO BOTTOM OF CARD SLOT.
- 9 PIN ONE IDENTIFIER NOTCH ONLY ON PART NUMBERS INDICATED.
- 10 OBSOLETE PARTS: OBSOLETE CIS STREAMLINING PER D.RENAUD/D.SINISI

SEE SHEET 2 FOR HOLE PATTERN

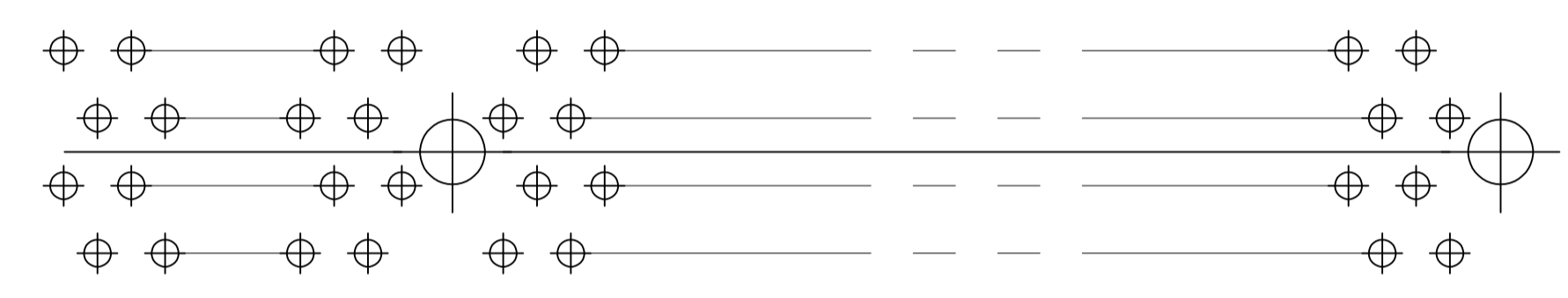
W	PIN ONE IDENTIFIER	HOLE PATTERN	V	U	T	S	Y	X	NO OF DUAL POSN	PART NUMBER
.125	YES	B	2.350	2.310	3.14	.610	10	44	56	5145020-8
.140	YES	A	2.550	2.510	4.89	2.160	41	48	91	5145020-7
.125	YES	A	2.550	2.510	4.89	2.160	41	48	91	5145020-6
.125	NO	D	1.800	1.760	2.59	.610	10	33	45	5145020-5

10 OBSOLETE

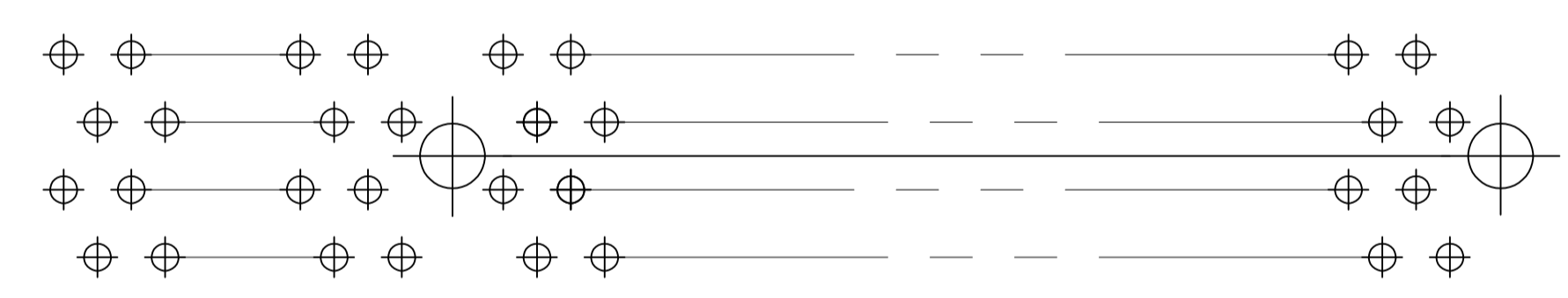
THIS DRAWING IS A CONTROLLED DOCUMENT.		DIN AL FRANTUM 02 AUG 05		Tyco Electronics Corporation Harrisburg, Pa 17105-3608	
DIMENSIONS: INCHES		TOLERANCES UNLESS OTHERWISE SPECIFIED:		NAME: AL FRANTUM 02 AUG 05	
0 PLC ± -		1 PLC ± .01		PRODUCT SPEC 108-14034	
2 PLC ± .01		3 PLC ± .005		APPLICATION SPEC 114-26012	
4 PLC ± .005		ANGLES ± .2°		SIZE: A1 00779 C=5145020	
MATERIAL: 1 2 4		FINISH: 3 5		WEIGHT: -	
CUSTOMER DRAWING		SCALE: 4:1		SHEET 1 OF 2 REV 01	



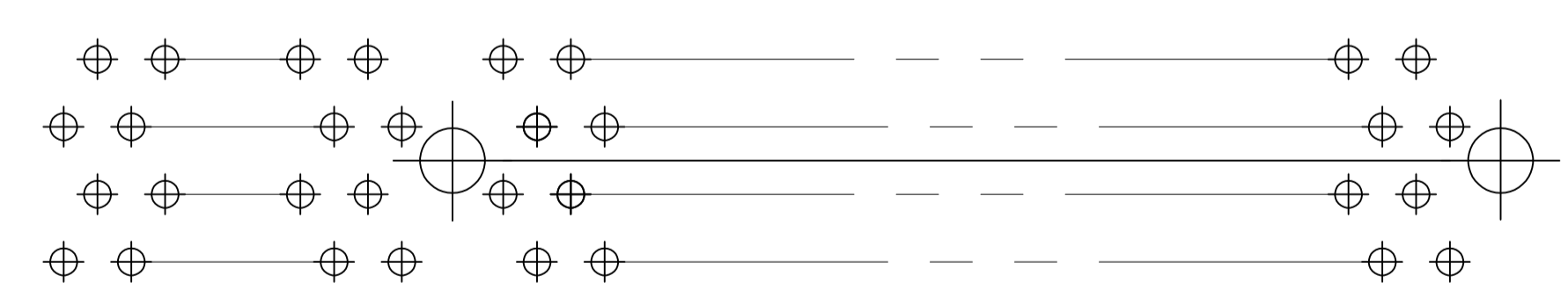
RECOMMENDED CONNECTOR MOUNTING HOLE PATTERN A
(CONNECTOR SIDE SHOWN)



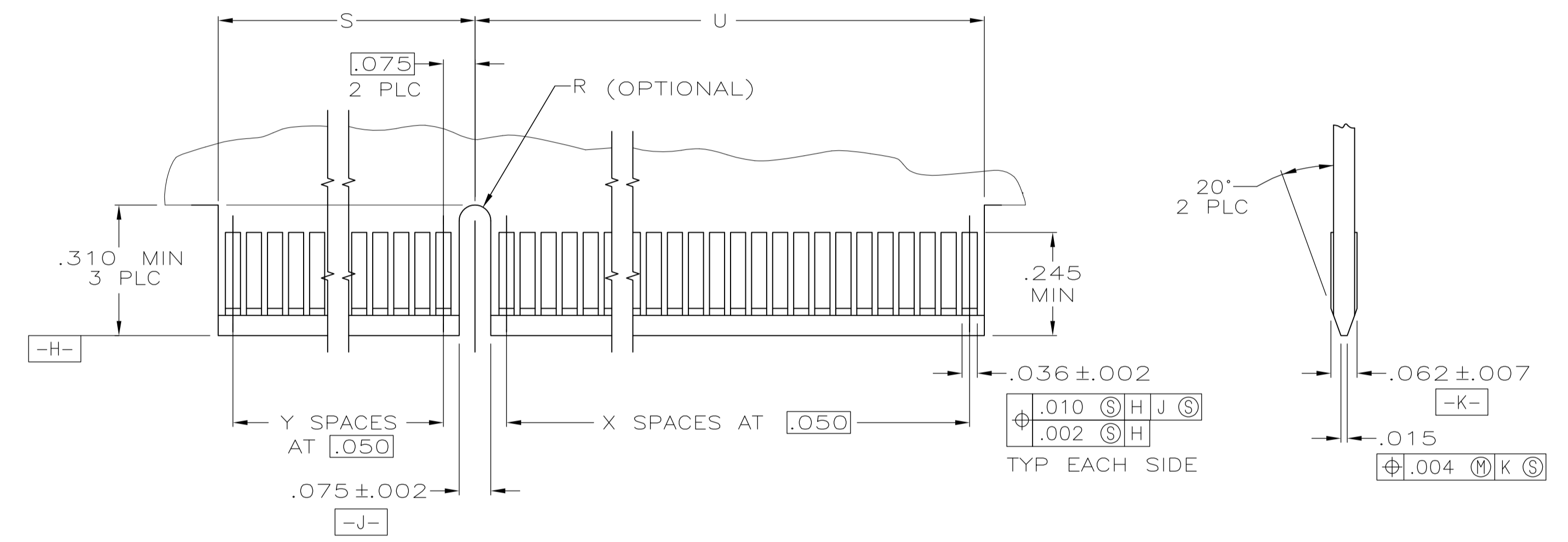
RECOMMENDED CONNECTOR MOUNTING HOLE PATTERN B
(CONNECTOR SIDE SHOWN)



RECOMMENDED CONNECTOR MOUNTING HOLE PATTERN C
(CONNECTOR SIDE SHOWN)



RECOMMENDED CONNECTOR MOUNTING HOLE PATTERN D
(CONNECTOR SIDE SHOWN)



RECOMMENDED MATING BOARD EDGE CONFIGURATION

THIS DRAWING IS A CONTROLLED DOCUMENT.		DWN AL FRANTUM 02 AUG 05 CHK AL FRANTUM 02 AUG 05 APVD AL FRANTUM	Tyco Electronics Corporation Harrisburg, Pa 17105-3608
DIMENSIONS: INCHES 0 PLC ± - 1 PLC ± - 2 PLC ± .01 3 PLC ± .005 4 PLC ± - ± ° ANGLES ± - ± °	TOLERANCES UNLESS OTHERWISE SPECIFIED: 0 PLC ± - 1 PLC ± - 2 PLC ± .01 3 PLC ± .005 4 PLC ± - ± ° ANGLES ± - ± °	PRODUCT SPEC 108-14034 APPLICATION SPEC 114-26012 WEIGHT - CUSTOMER DRAWING	NAME CONNECTOR ASSEMBLY DUAL POSITION .050 SERIES, STANDARD EDGE SIZE A1 CAGE CODE 00779 DRAWING NO. 5145020 RESTRICTED TO
MATERIAL SEE SHEET 1	FINISH SEE SHEET 1	SCALE 4:1	SHEET 2 OF 2 REV 01