

**DO NOT SCALE**

**METRIC**

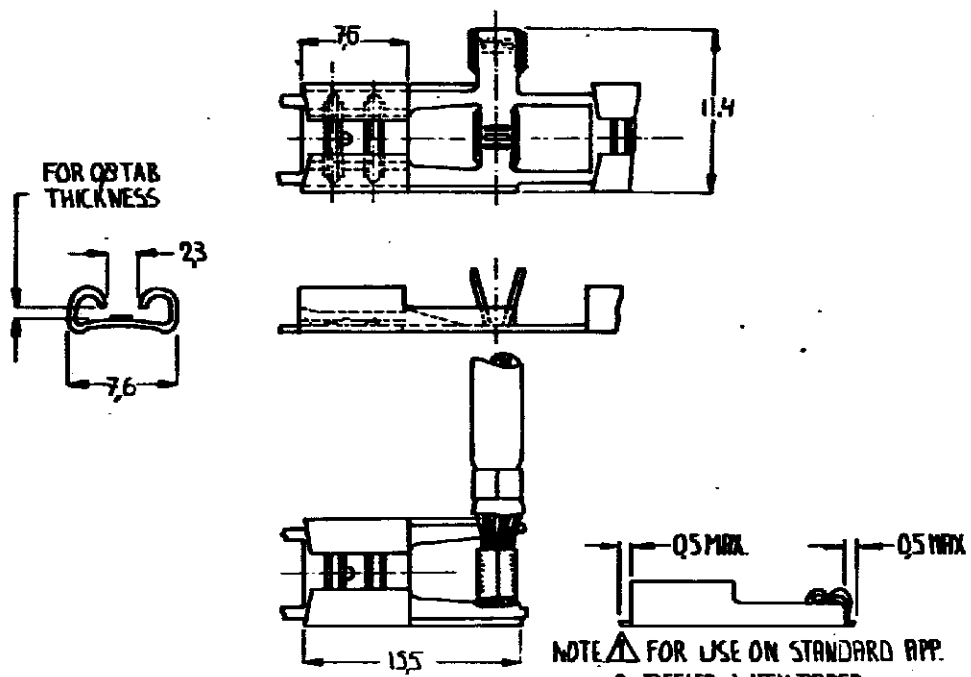
THIRD ANGLE PROJECTION



DIMENSIONS IN mm

REVISIONS

LTR	DESCRIPTION	DATE	DWN	APVD
D1	REV PER ECO-09-022178	29SEP09	KK	AEG



4 OBSOLETE PARTS: OBSOLETE CIS  
STREAMLINING PER D.RENAUD/D.SINISI

NOTE: 1. FOR USE ON STANDARD APP.  
2. REELED WITH PAPER  
3. FOR USE ON MINIATURE APP  
AMP. MOTOR APPLICATION

4 OBSOLETE

FINISH	MATERIAL	PART NUMBER
TIN PLATED	PH BRONZE	160861_8
UNPLATED	TH. BRONZE	160861_7
TIN PLATED	BRASS	160861_6
UNPLATED	BRASS	160861_5
TIN PLATED	PH BRONZE	160861_4
UNPLATED	PH BRONZE	160861_3
TIN PLATED	BRASS	160861_2
UNPLATED	BRASS	160861_1

<p><b>CUSTOMER DRAWING</b></p> <p>FOR REFERENCE ONLY WILL NOT BE UPDATED</p>			AMP-HOLLAND B V 's-Hertogenbosch, The Netherlands	
	THIS DRAWING IS UNPUB. ISHEC		RELEASED FOR PUBLICATION 19	
COPYRIGHT 19 BY AMP-HOLLAND B V ALL INTERNATIONAL RIGHTS RESERVED AMP PRODUCTS MAY BE COVERED BY U.S. AND FOREIGN PATENTS AND/OR PATENTS PENDING				
WIRE RANGE 0.5-1.0 mm <sup>2</sup>	NAME 63mm SERIES FLAG FASTENER RECEPTACLE		REV DATE	
			D M .	
WSA RANGE 1.4-2.3 DIA.	SIZE A4	SHEET 1 * 1	REV LTR D1	
DATE 29/09/09	DRAWING NO C-160861-E		REV LTR D1	