

THIS DRAWING IS UNPUBLISHED. RELEASED FOR PUBLICATION
 © COPYRIGHT - BY TYCO ELECTRONICS CORPORATION. ALL RIGHTS RESERVED.

LOC	DIST	REVISIONS					
GZ	00	P	LTR	DESCRIPTION	DATE	DWN	APVD
		A		NEW FROMAT & EC0720-0136-04	OBMAR04	MD	KH

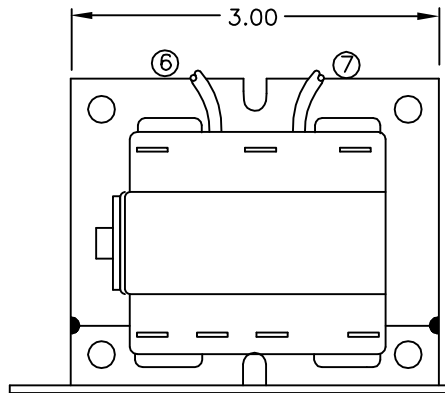
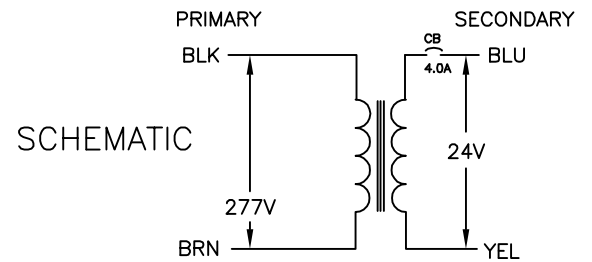
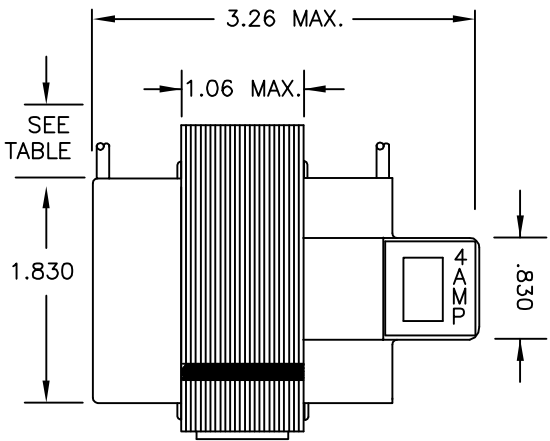
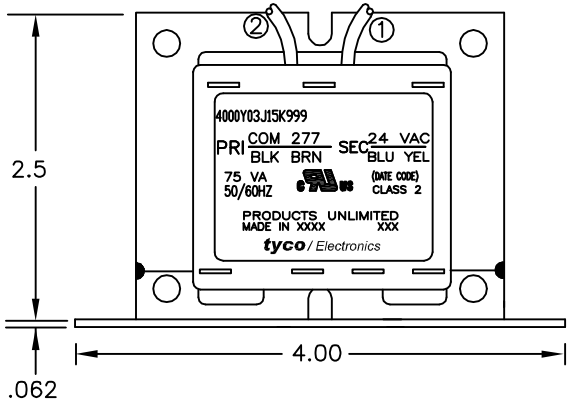
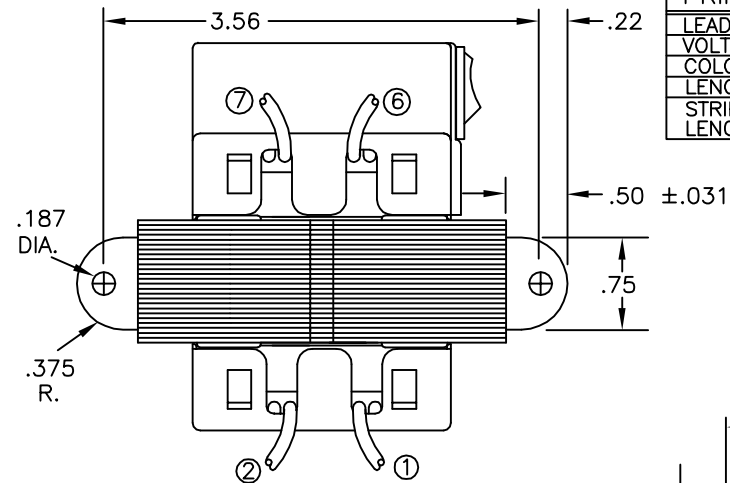
ALL LEADS 18AWG--UNLESS OTHERWISE SPECIFIED

PRIMARY					
LEAD NO.	1	2	3	4	5
VOLTAGE	COM	277			
COLOR	BLK	BRN			
LENGTH	12.0	12.0			
STRIP LENGTH	.50	.50			

- NOTES
1. DIMENSIONS FOR REFERENCE ONLY.
 2. ALL LEADS +1"/-0" TOL.
 3. STRIP TOL. ±1/32
 4. WINDING PROTECTION-- INTERNALLY PROTECTED--4.0 AMP CIRCUIT BREAKER.

CERTIFICATION:
UL & CUL FILE NO. E87824

SECONDARY				
LEAD NO.	6	7	8	9
VOLTAGE	24	VAC		
COLOR	BLU	YEL		
LENGTH	12.0	12.0		
STRIP LENGTH	.50	.50		



4000Y03J15K999
 PRI COM 277 SEC 24 VAC
 BLK BRN BLU YEL
 75 VA (MITE CODE) CLASS 2
 50/60HZ
 PRODUCTS UNLIMITED
 MADE IN XXXX
 tyco Electronics

CUST. NO.	TYCO PART NUMBER
-	4-1611469-6

THIS DRAWING IS A CONTROLLED DOCUMENT.

DIMENSIONS:	TOLERANCES UNLESS OTHERWISE SPECIFIED:
INCHES	
	0 PLC ± -
	1 PLC ± -
	2 PLC ± -
	3 PLC ± -
	4 PLC ± -
	ANGLES ± -
MATERIAL	FINISH
-	-

DWN	OBMAR04	Products Tyco Electronics Corporation Harrisburg, Pa 17105-3608			
CHK	OBMAR04				
APVD	OBMAR04	NAME			
PRODUCT SPEC		TRANSFORMER OUTLINE			
APPLICATION SPEC					
WEIGHT		SIZE	CAGE CODE	DRAWING NO	RESTRICTED TO
		A3	00779	C=4000Y03J15K999	-
CUSTOMER DRAWING	SCALE	NTS	SHEET	1 OF 1	REV
					A