

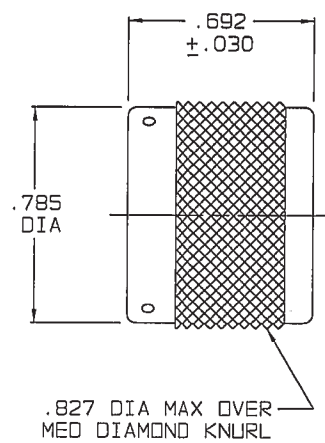
TABLE 1	
DASH NO	DESCRIPTION
-1	CAP (NO CHAIN)
-2	CAP WITH 2.50 BRASS CHAIN
-3	CAP WITH 2.50 NYLON CHAIN
-4	CAP WITH 3.00 BRASS CHAIN
-5	CAP WITH 3.00 NYLON CHAIN
-6	CAP WITH 6.00 BRASS CHAIN
-7	CAP WITH 6.00 NYLON CHAIN
-8	CAP WITH 4.00 BRASS CHAIN
-9	CAP WITH 4.00 NYLON CHAIN
-10	CAP WITH 10.00 BRASS CHAIN
-11	CAP WITH 10.00 NYLON CHAIN
-12	CAP WITH 2.50 SST ROPE
-13	CAP WITH 3.00 SST ROPE
-14	CAP WITH 6.00 SST ROPE
-15	CAP WITH 4.00 SST ROPE
-16	CAP WITH 7.00 SST ROPE
-17	CAP WITH 4.50 SST ROPE
-18	CAP WITH 18.0 SST ROPE

TABLE 2				
DASH NO	"A" DIA	"B" DIA	"C" DIM	"D" DIM
-D1	.755	.875	1.191	.513
-D2	.630	.750	1.066	.450
-D3	.505	.625	.941	.388
-D4	.439	.562	.878	.355
-D5	.380	.500	.816	.325
-D6	.317	.437	.753	.295
-D7	.281	.406	.722	.278
-D8	.610	.750	1.066	.450
-D9	.567	.687	1.003	.419
-D10	.192	.312	.628	.231
-D11	1.005	1.125	1.441	.638
-DD8	.330	.450	.766	.300

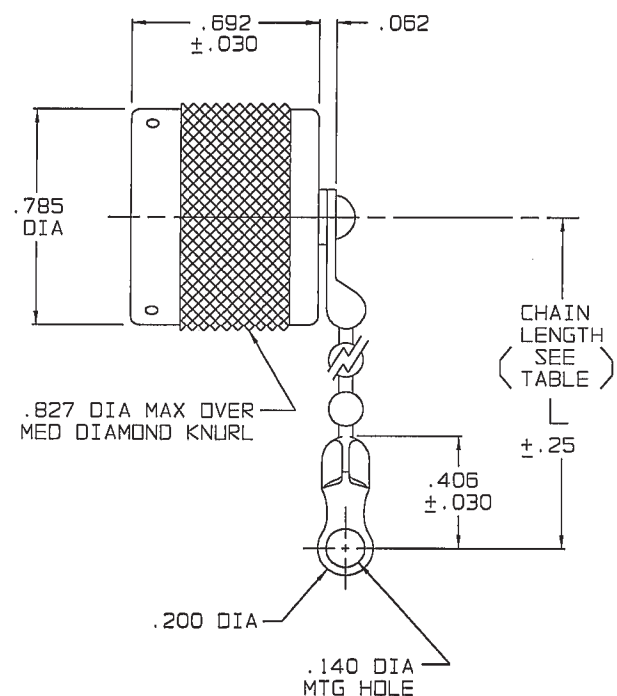
DATA CONTAINED IN THIS DOCUMENT IS PROPRIETARY TO TROMPETER ELECTRONICS INC. AND SHALL NOT BE DISCLOSED, COPIED OR USED FOR PROCUREMENT OR MANUFACTURE WITHOUT EXPRESS WRITTEN PERMISSION OF TROMPETER ELECTRONICS INC.

REVISIONS		1-0456	SH 1
REV	DESCRIPTION	DATE	APPROVED
F	REVISED PER ECO 15102	7/1/03	053

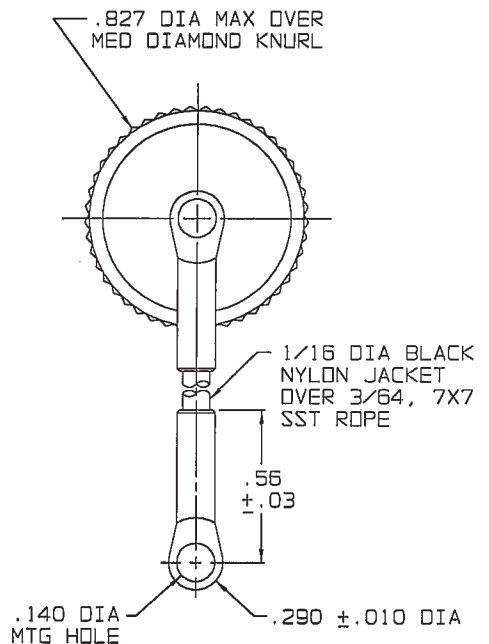
RED INDICATES ORIGINAL



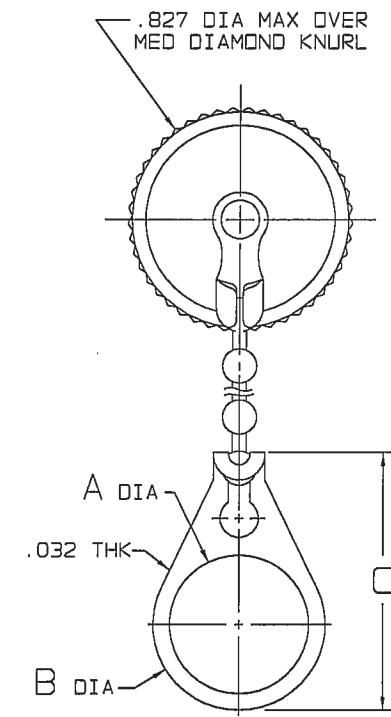
-1 SHOWN  
NO CHAIN/ROPE OR MOUNTING LUG



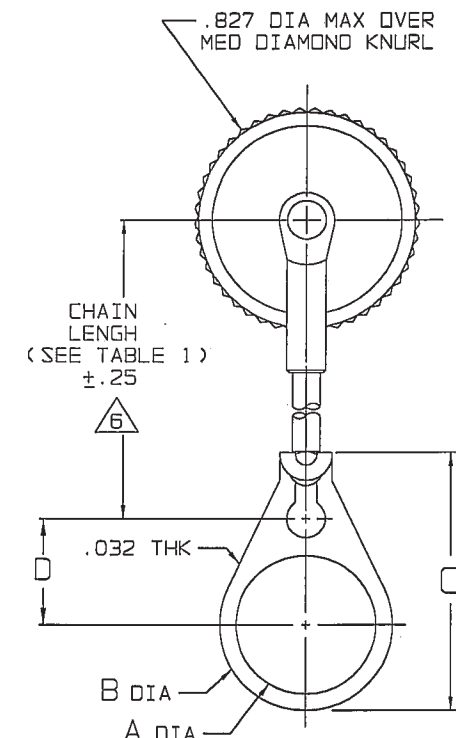
-2 THRU -11 SHOWN  
STANDARD CHAIN & MOUNTING LUG



-12 THRU  
-18 SHOWN  
STAINLESS STEEL ROPE AND MOUNTING LUG



-2-D1 THRU -11-DD8  
SHOWN  
STANDARD CHAIN AND BULKHEAD JACK MOUNTING LUG



-12-D1 THRU  
-18-DD8 SHOWN  
SST ROPE AND BULKHEAD JACK MOUNTING LUG

5. EXAMPLE OF COMPLETE MODEL NO:  
RFI95-2-D3  
BASIC PART NO. BULKHEAD JACK MOUNTING LUG (OPTIONAL) (SEE TABLE 2)  
DASH NO FOR CHAIN/ROPE MATL AND LENGTH (SEE TABLE 1)

- 4. IF SAFETY WIRE TYPE IS REQUIRED; ADD SUFFIX "S" TO MODEL NO RFI95S
- 3. STD SIZE PATCHING QJST CAP WITH OR WITHOUT MOUNTING CHAIN OR SST ROPE OPTIONS
- 2. FINISH: TFS-1A (NICKEL)
- 1. ALL DIMENSIONS ARE IN INCHES

NOTE THAT CHAIN LENGTH FOR SST ROPE WITH MOUNTING OPTION IS NOT MEASURED TO CENTER OF BULKHEAD MOUNTING LUG

INTERPRET DRAWING PER MIL-STD-100 DIMENSIONS ARE IN INCHES AND INCLUDE FINISH THICKNESS UNLESS OTHERWISE SPECIFIED	TOL: UNLESS SPECIFIED .XX .XXX .XXXX ANGLES				
DRAWN: AAH DATE: 6-27-03 ENGINEERED: [Signature] DATE: 6/30/03 CHECKED: [Signature] DATE: 7/1/03 APPROVED: [Signature] DATE: 7/1/03	MATERIAL: FINISH:			TITLE: RFI95/RFIS95	
NEXT ASSY	CAD FILE NO: 1-0456F	DO NOT SCALE DWG	SCALE: NONE	DATE: 12-20-79	SHEET 1C