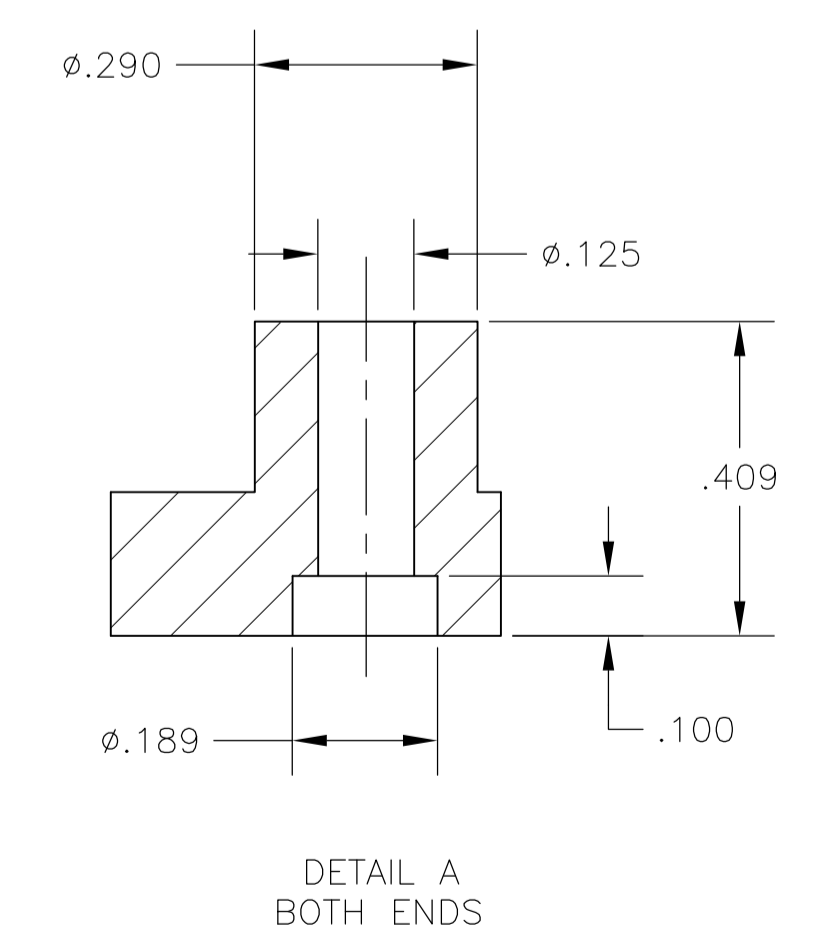
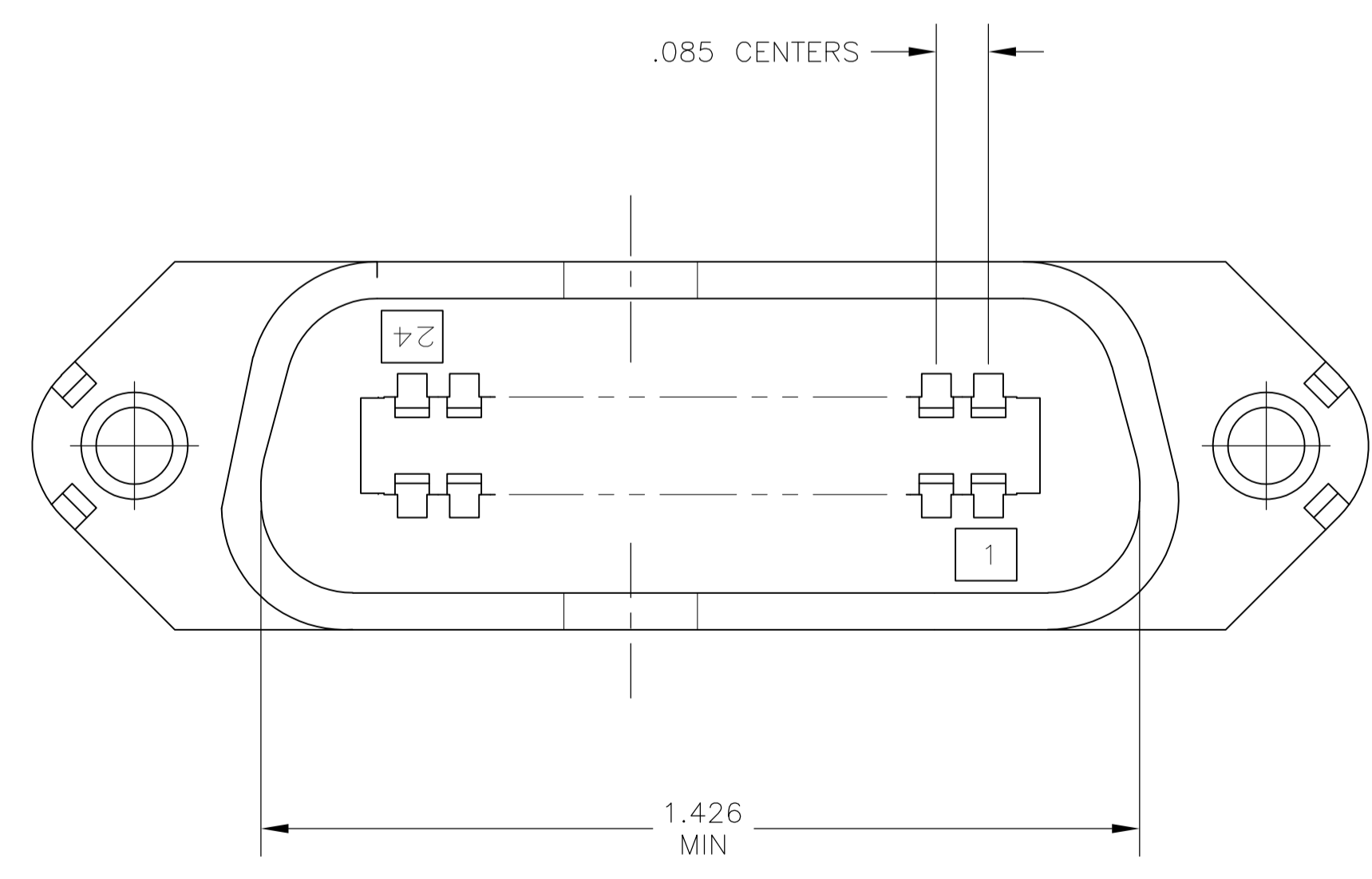
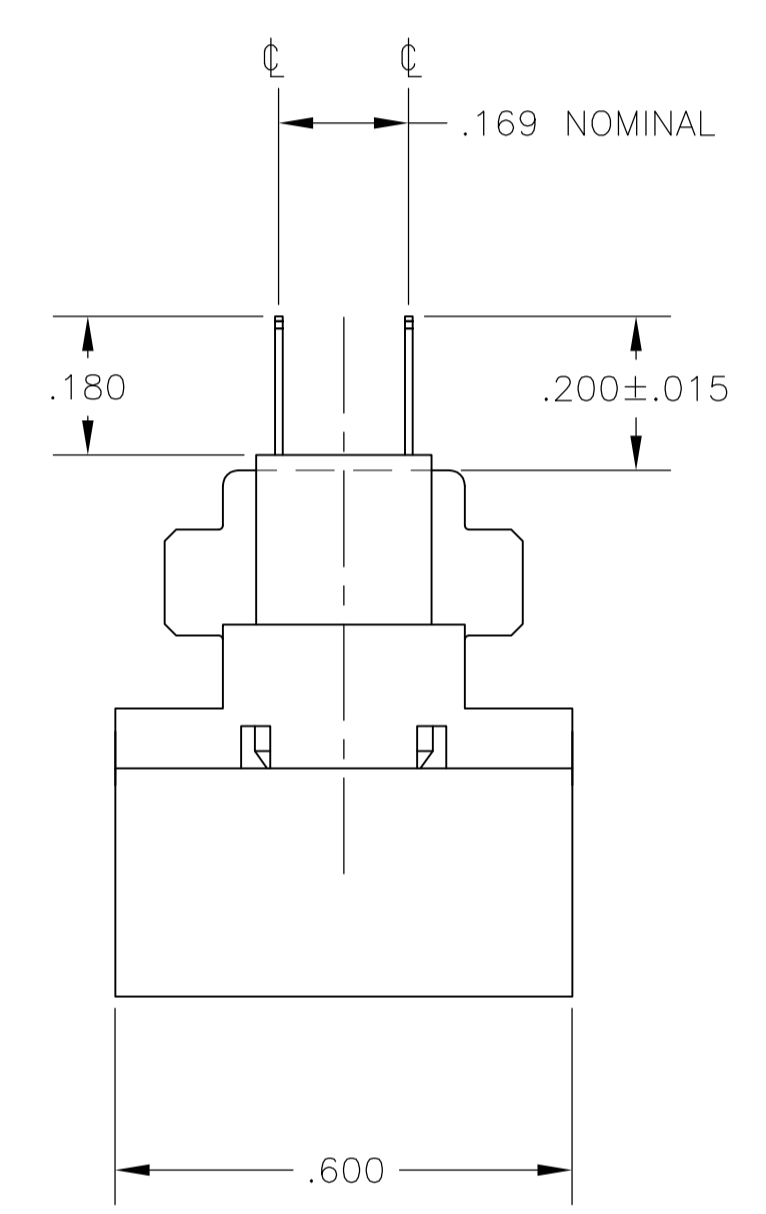
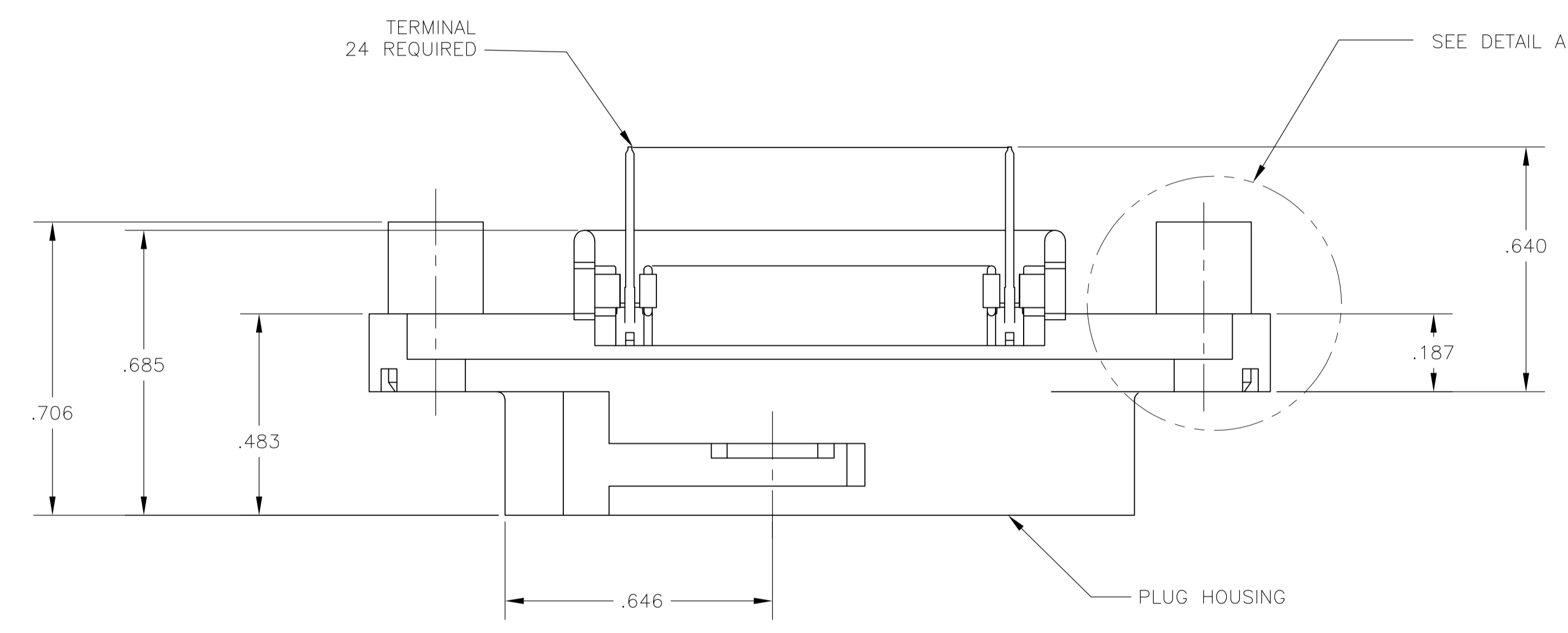
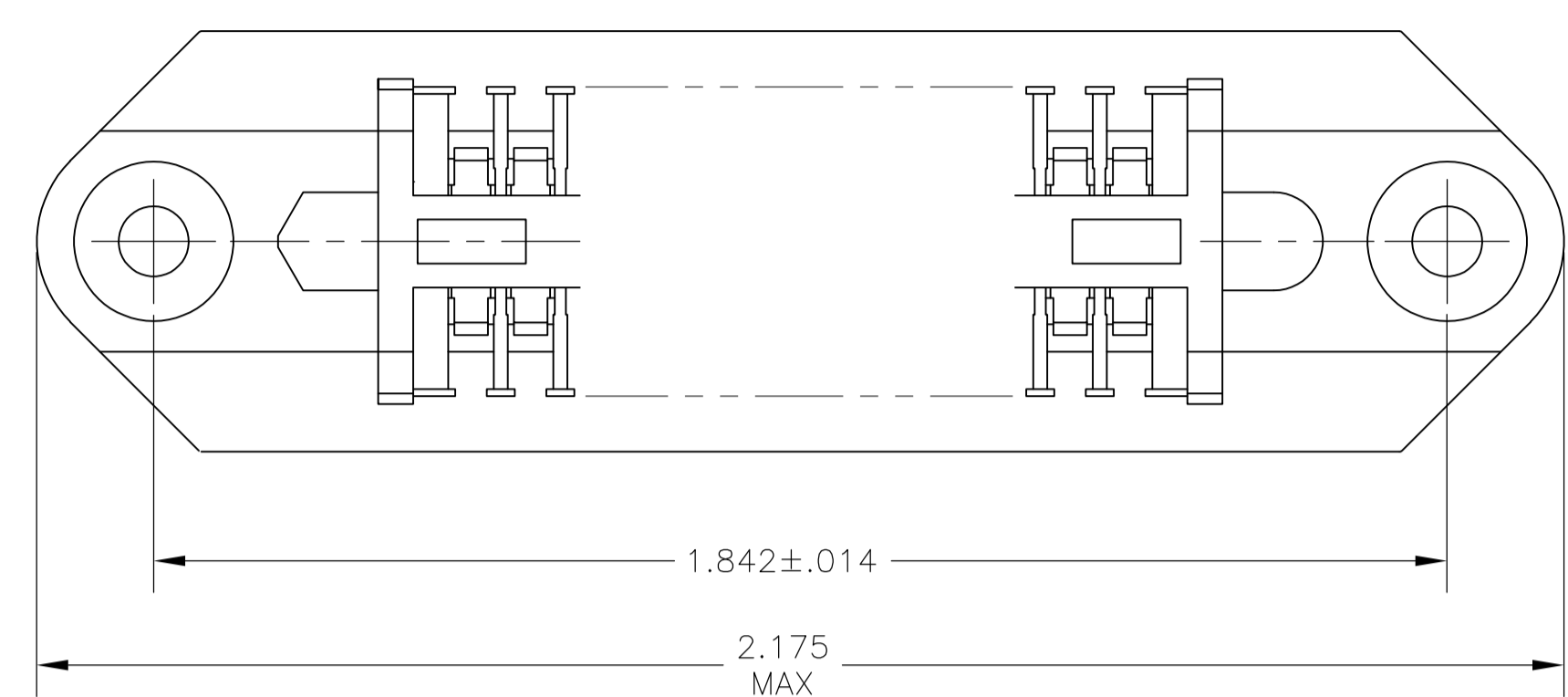


LOC		DIST		REVISIONS			
GP	00	REV	DATE	BY	CHK	APPV	
J		REVISED PER ECO-08-007327	18APR08	BM	WM		

1. THE CONTACT SURFACES OF THE TERMINALS ARE COATED WITH LUBRICANT.
2. ALL DIMENSIONS SHOWN ARE FOR REFERENCE ONLY UNLESS OTHERWISE SPECIFIED.
3. MATERIAL: HOUSING - THERMOPLASTIC, BLACK.  
 TERMINAL - PHOS BRONZE PLATED WITH EITHER .000030 MINIMUM GOLD PLATE OR GOLD FLASH OVER PALLADIUM NICKEL PLATE, .000030 MIN TOTAL ON MATING SURFACE.  
 .000120 MINIMUM TIN-LEAD PLATE ON TAILS OVER .000050 MINIMUM NICKEL UNDERPLATE OVER ENTIRE TERMINAL.



552221-1  
 PART NUMBER

THIS DRAWING IS A CONTROLLED DOCUMENT.		DIN Z. REAM 13/MAR/07	Tyco Electronics Corporation Harrisburg, PA 17105-3608
DIMENSIONS: INCHES		CHK: W. MILLHIMES 13/MAR/07	
TOLERANCES UNLESS OTHERWISE SPECIFIED:		APPV: W. MILLHIMES 13/MAR/07	NAME: PLUG ASSY, 24 POSN, VERT MTG WITH STANDOFFS CHAMP-LOK
0. PLC ± -	1. PLC ± -	2. PLC ± -	3. PLC ± -
4. PLC ± -	ANGLES ± -	APPLICATION SPEC	
MATERIAL		WEIGHT	RESTRICTED TO
FINISH		SIZE: A1	CAGE CODE: 00779
CUSTOMER DRAWING		DRAWING NO: 552221	SCALE: 4:1
		SHEET: 1 OF 1	REV: J