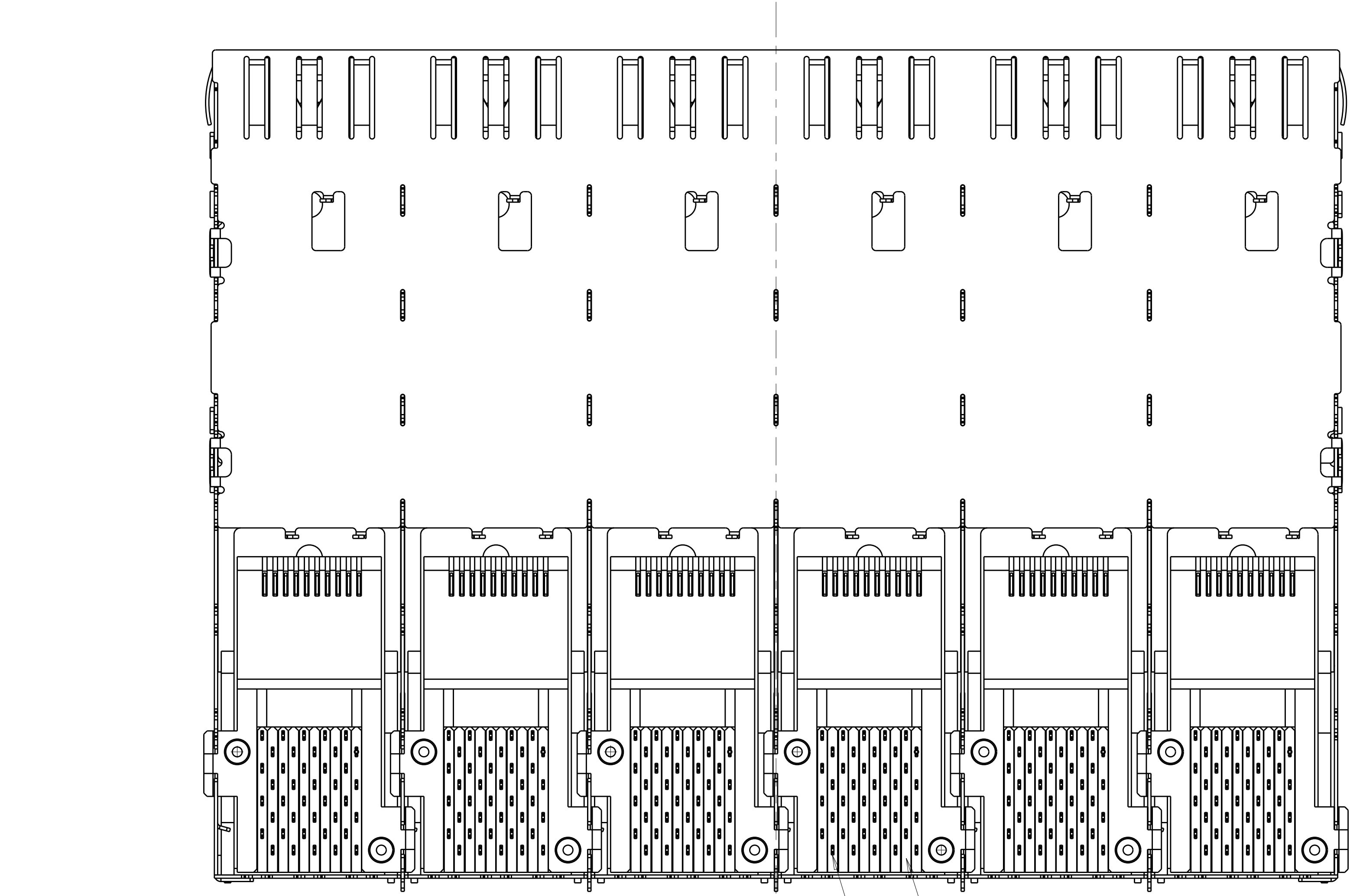
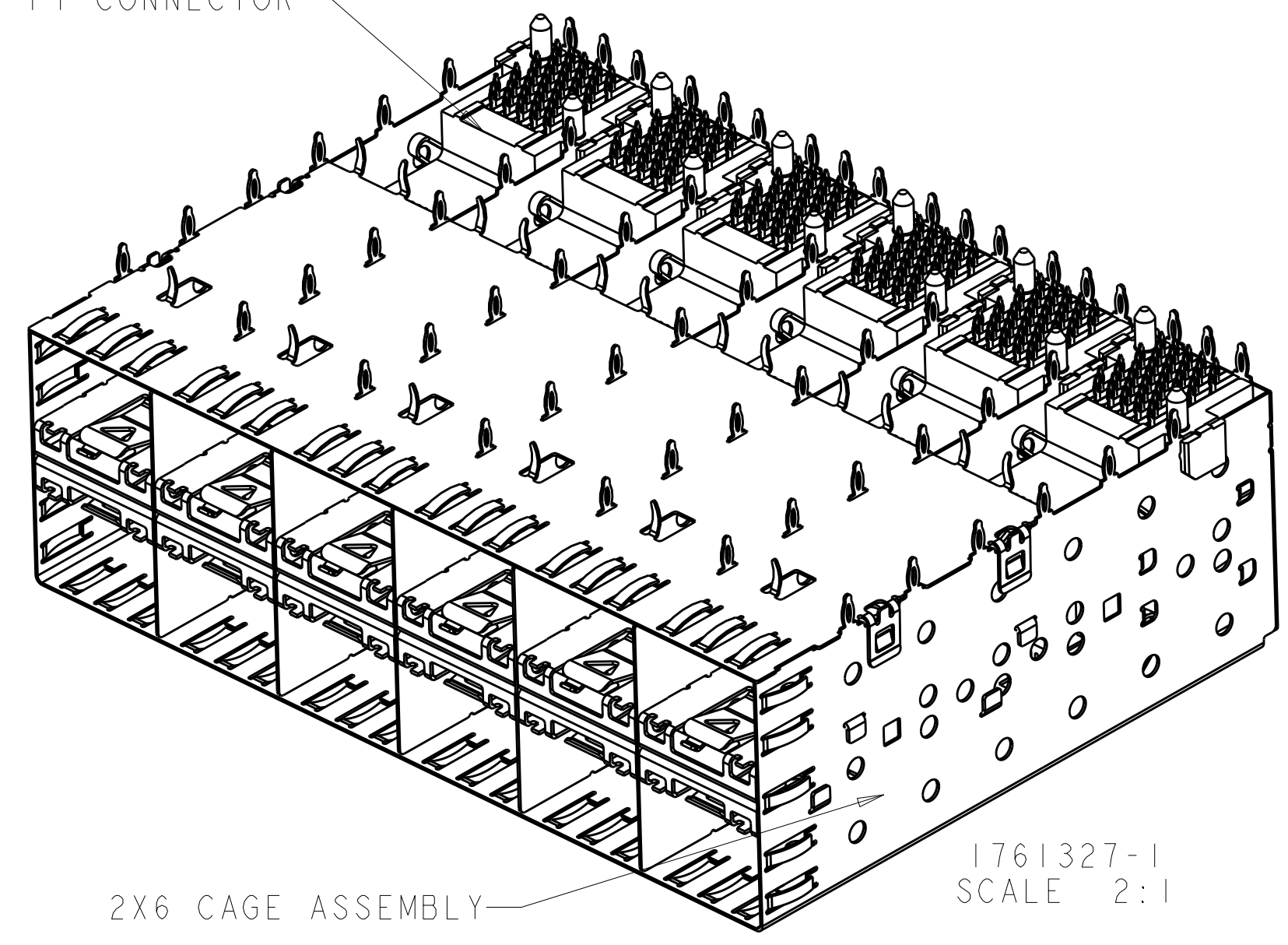
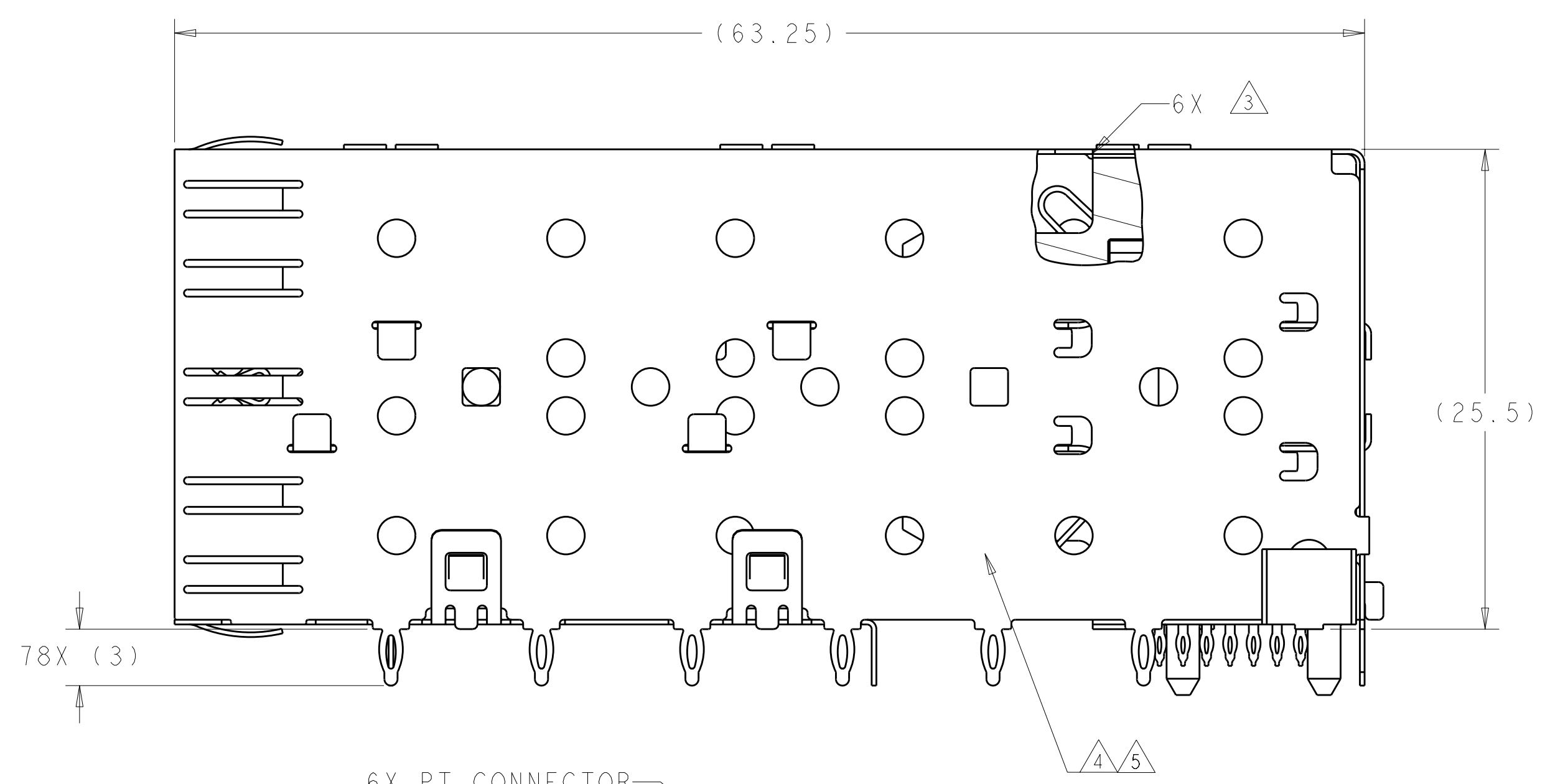
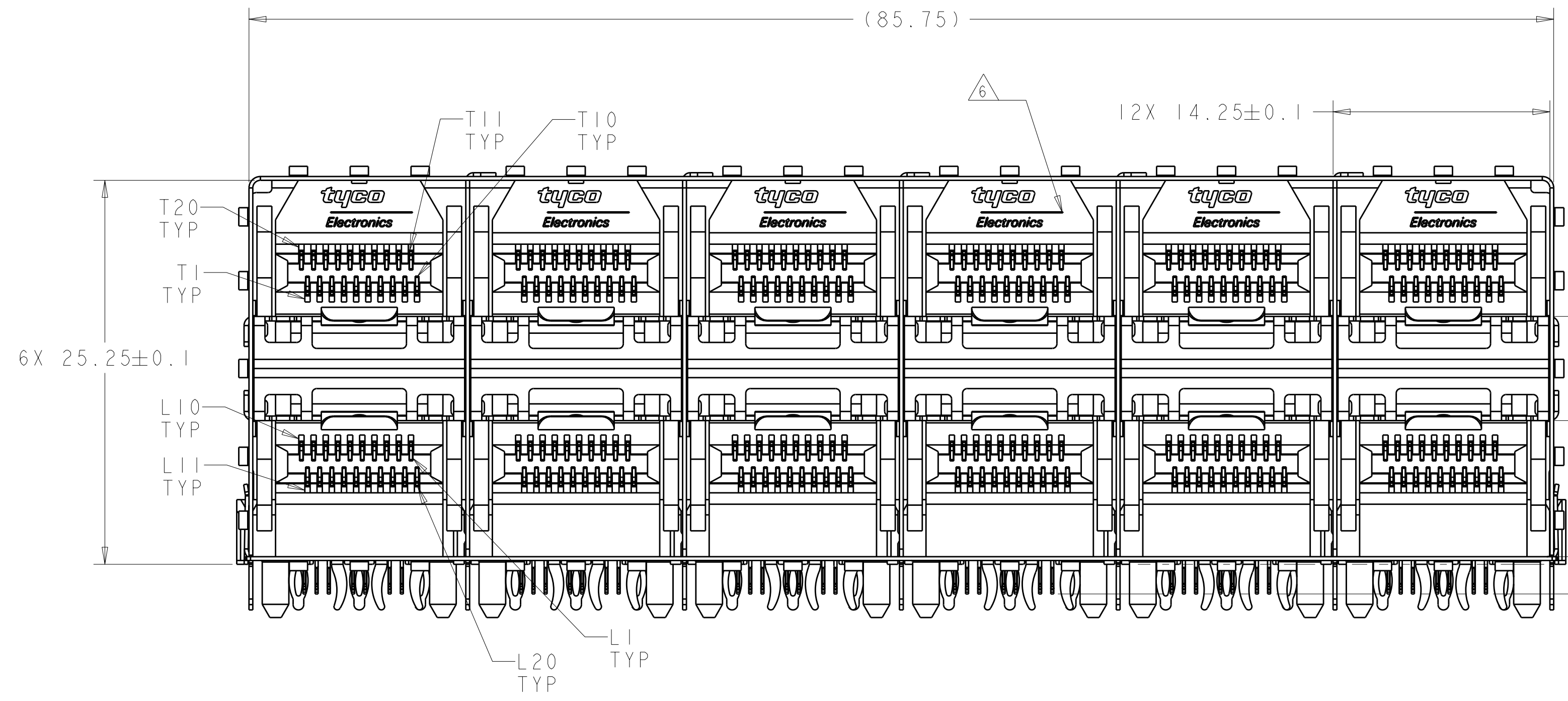


LOC	DIST	REVISIONS				
ES	00	REV	DESCRIPTION	DATE	DWN	APVD
		B1	REVISED ECR-08-013764	02JUN08	AZ	SY
		C	ECR-08-028454	11NOV2008	AL	SY

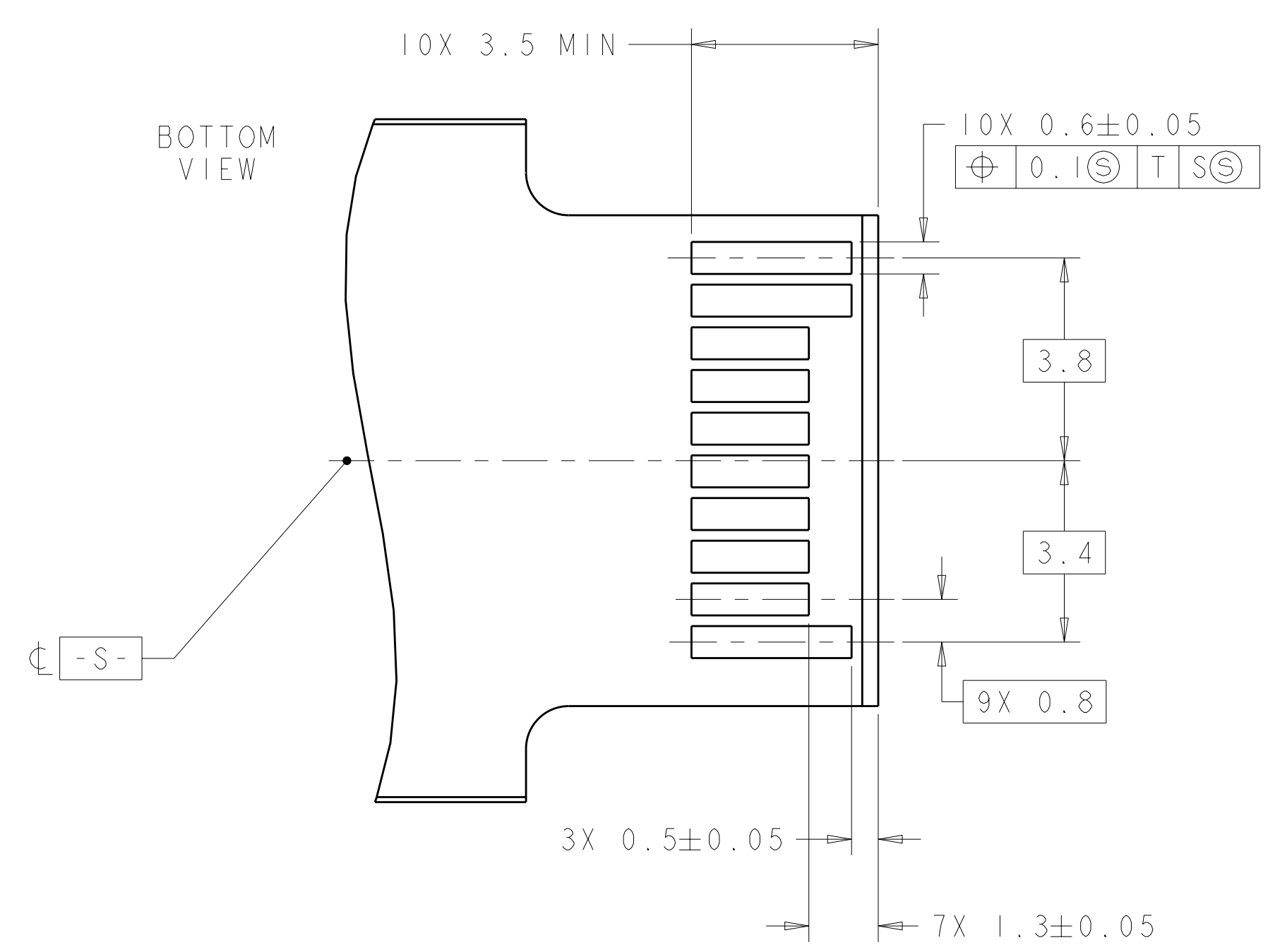
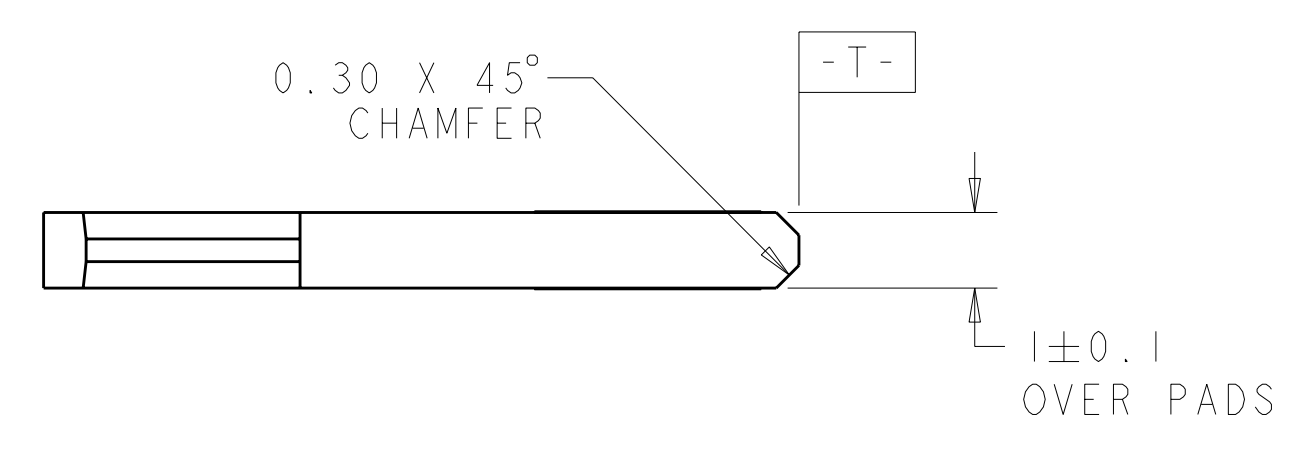
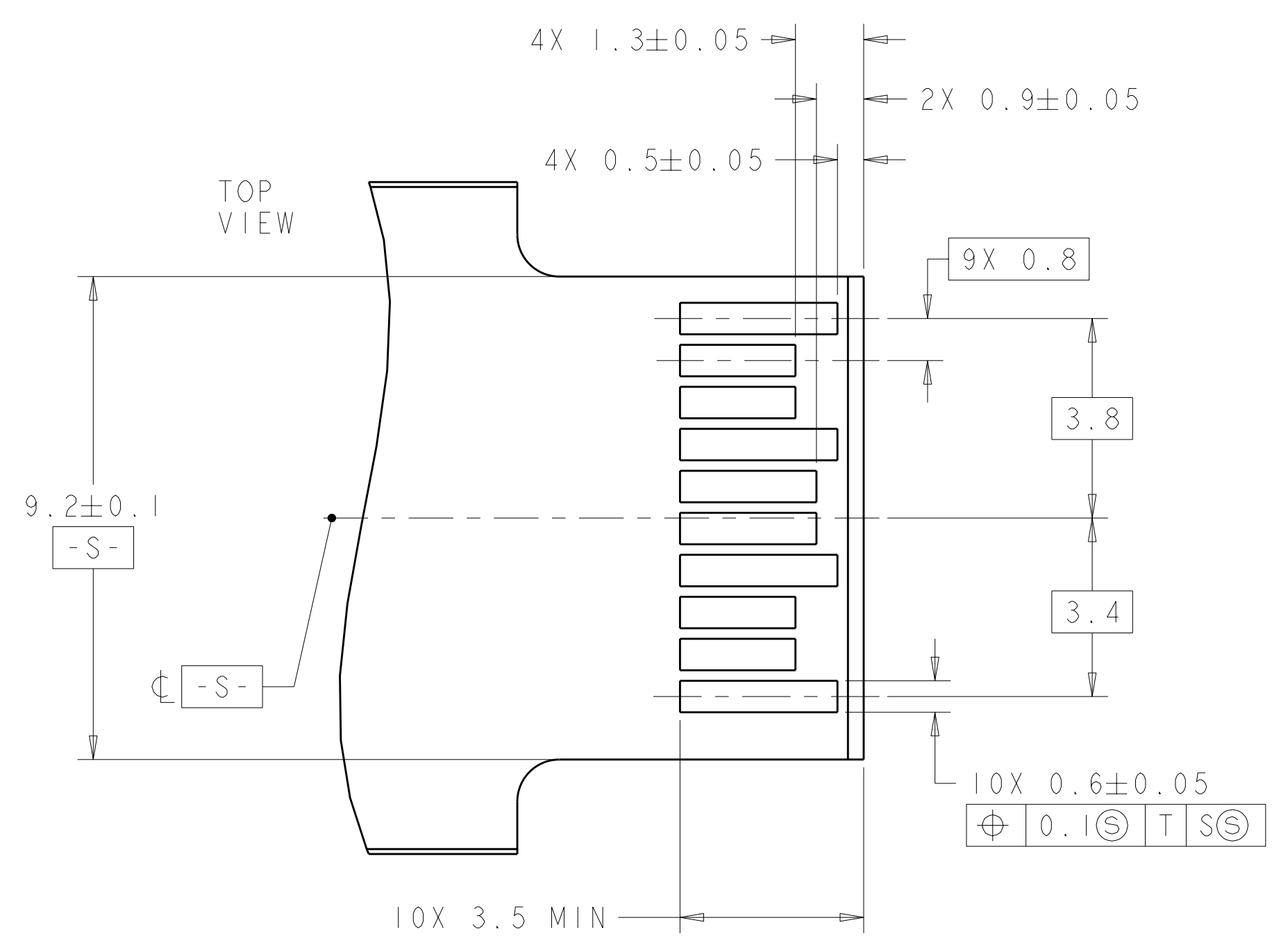


- ① DATUM AND BASIC DIMENSION TO BE DETERMINED BY CUSTOMER.
- ② INTERPRETATION OF DATUM REFERENCE FRAME IN ACCORDANCE WITH SECT 4.4.1.1 OF ASME Y14.5M-1994.
- ③ TOP OF PT CONNECTOR TO BE 0-0.15 FROM INSIDE SURFACE OF CAGE.
- ④ COPPER ALLOY.
- ⑤ 1.25µm MIN TIN PER ASTM B 545 OVER NICKEL FLASH PER QQ-N-290. NON-PLATED EDGES PERMISSIBLE.
- ⑥ LCP, HIGH TEMPERATURE, UL 94V-0 RATED, BLACK.
- ⑦ POLYESTER, UL 94V-0 RATED, BLACK.
- ⑧ CONTACT MATING AREA: SURFACE TREATMENT OVER 0.76µm MIN GOLD PER ASTM B 488 OVER 1.27µm MIN NICKEL PER QQ-N-290. NEEDLE EYE: 1.25µm MIN TIN PER ASTM B 545 OVER 1.27µm MIN NICKEL PER QQ-N-290. REMAINDER OF CONTACT: 0.76µm MIN NICKEL PER QQ-N-290.

1761327-1
PART NUMBER

<small>THIS DRAWING IS UNPUBLISHED. RELEASED FOR PUBLICATION BY TYCO ELECTRONICS CORPORATION. ALL RIGHTS RESERVED.</small>		DWN: B. CRISAMORE 28JUN04 CHK: J. KOPPENHEFFER 30JUN04 APVD: M. WALMSLEY 30JUN04	Tyco Electronics Shanghai, China
DIMENSIONS: mm	TOLERANCES UNLESS OTHERWISE SPECIFIED: 9 PLC ± 1 PLC ±0.1 5 PLC ± 4 PLC ± ANGLES ±	NAME: CAGE AND PT CONNECTOR ASSEMBLY PRESS FIT, 2X6, STANDARD PROFILE SFP PRODUCT SPEC: 108-2161 APPLICATION SPEC: 114-13103	SIZE: A1 CAGE CODE: 00779 DRAWING NO: 1761327 RESTRICTED TO: C
MATERIAL:	FINISH:	WEIGHT:	CUSTOMER DRAWING
SCALE: 1:1		SHEET 1 OF 3 REV C	

LOC	DIST	REVISIONS					
ES	00	P	LTR	DESCRIPTION	DATE	DWN	APVD
		-	-	SEE SHEET 1	-	-	-



RECOMMENDED LAYOUT FOR
 MATING TRANSCEIVER PCB
 SCALE 10:1

<small>THIS DRAWING IS UNPUBLISHED. RELEASED FOR PUBLICATION BY TYCO ELECTRONICS CORPORATION. IT IS SUBJECT TO CHANGE WITHOUT NOTICE AND WITHOUT OBLIGATION. SHOULD BE CONTACTED FOR THE LATEST REVISION.</small>		DWN B. CRISAMORE 28 JUN 04 CHK J. KOPPENHEFFER 30 JUN 04 APVD M. WALMSLEY 30 JUN 04	Tyco Electronics Shanghai, China
DIMENSIONS: mm 		TOLERANCES UNLESS OTHERWISE SPECIFIED: 9 PLC ± 1 PLC ±0.1 5 PLC ± 4 PLC ± ANGLES ±	NAME: CAGE AND PT CONNECTOR ASSEMBLY PRESS FIT, 2X6, STANDARD PROFILE SFP PRODUCT SPEC: 108-2161 APPLICATION SPEC: 114-13103 WEIGHT: - FINISH: -
MATERIAL: - FINISH: -		SIZE: A1 CAGE CODE: 00779 DRAWING NO: C-1761327 CUSTOMER DRAWING	RESTRICTED TO: - SCALE: 8:1 SHEET: 3 OF 3 REV: C