

4

3

2

1

THIS DRAWING IS UNPUBLISHED.

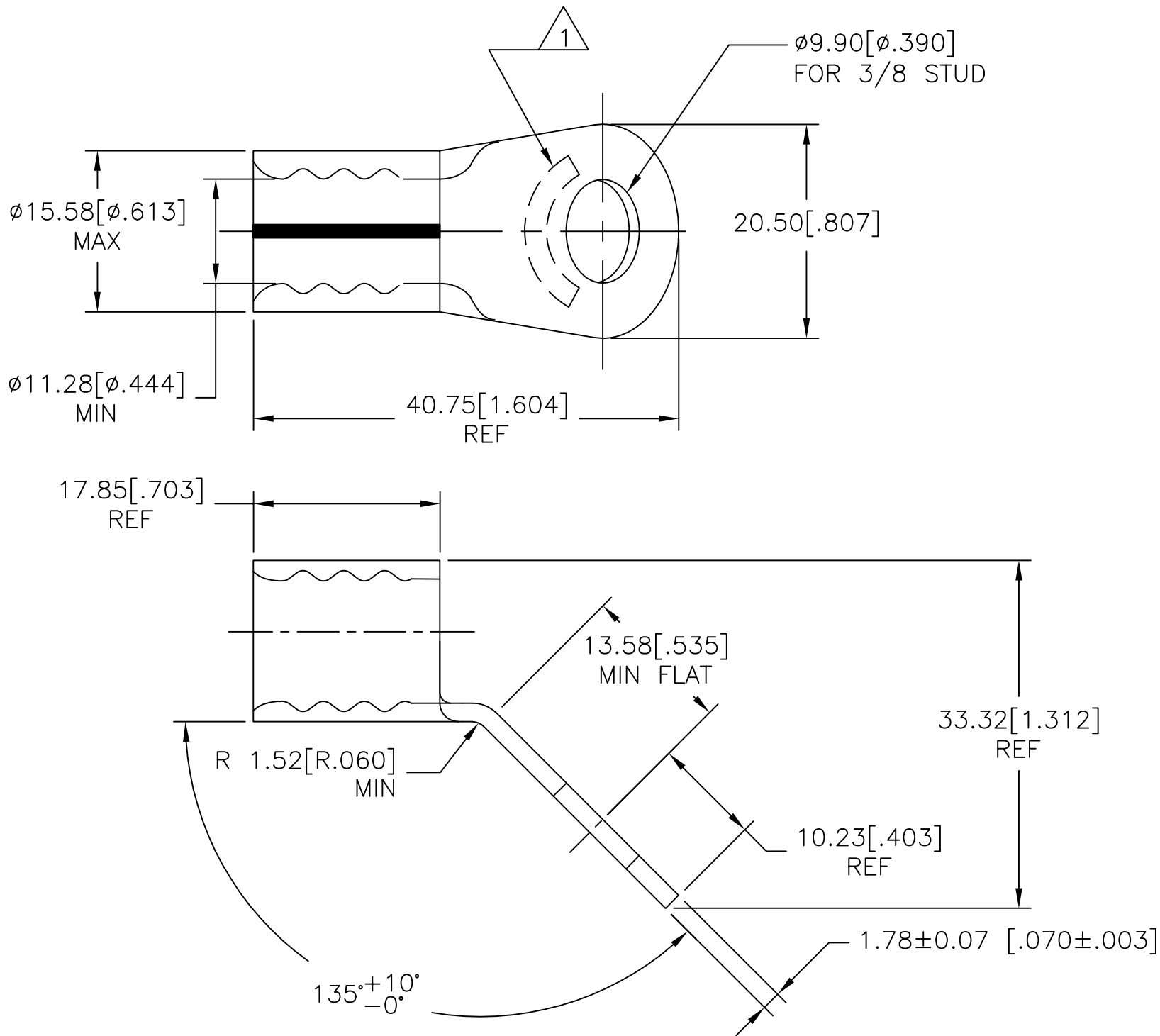
RELEASED FOR PUBLICATION

REVISIONS

© COPYRIGHT - By -

ALL RIGHTS RESERVED.

| P | LTR | DESCRIPTION | DATE | DWN | APVD |
|---|-----|------------------------------|-----------|-----|------|
| | D | CREATED DWG AT THIS REVISION | 24SEPT09 | JR | TM |
| | D1 | REVISED PER ECR-16-015532 | 24NOV2016 | RS | DR |



AMP
WIRE RANGE

1/0 AWG
STRANDED

- 1 STAMP AMP 1/0W* APPROX AS SHOWN
- 2 NICKEL PLATE .000300 MIN THK PER SAE-AMS-QQ-N-290.
- 3 MATERIAL, COPPER PER ASTM B-152, ANNEALED.

| | | |
|------|--------------|----------|
| 50 | LOOSE PIECE | 696711-1 |
| QTY. | PACKAGE TYPE | PART NO |

CUSTOMER SERVICE SYSTEMS

MAX RECOMMENDED OPERATING TEMPERATURE:
343° C

THIS DRAWING IS A CONTROLLED DOCUMENT.

DWN jr_ruth 24SEPT09

TE TE Connectivity

FOR ADDITIONAL PRODUCT INFORMATION OR COPIES OF DRAWINGS AND TECHNICAL DOCUMENTS

PRODUCT INFORMATION CENTER
1-800-522-6752

VOLTAGE RATING:
N/A

DIMENSIONS:
mm [INCHES]

TOLERANCES UNLESS OTHERWISE SPECIFIED:

CHK TOM_MICHIELUTTI 24SEPT09

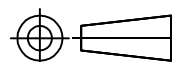
NAME

TERMINAL, RING TONGUE,
STRATO-THERM, BENT 45

FOR APPLICATION

TOOLING ASSISTANCE CENTER

CIRCULAR MIL AREA:
42.4-60.6mm² [83,700-119,500]
STRANDED



0 PLC ± -
1 PLC ± -
2 PLC ± -
3 PLC ± 0.20[.008]
4 PLC ± -
ANGLES ± -

APVD TOM_MICHIELUTTI 24SEPT09

PRODUCT SPEC

APPLICATION SPEC

SIZE

CAGE CODE

DRAWING NO

RESTRICTED TO

FOR ORDER ENTRY

1-800-526-5142

THIS DRAWING IS A CONTROLLED DOCUMENT FOR AMP INCORPORATED. IT IS SUBJECT TO CHANGE AND THE CONTROLLING ENGINEERING ORGANIZATION SHOULD BE CONTACTED FOR THE LATEST REVISION.



WEIGHT -

A3

00779

C=696711

CUSTOMER DRAWING

SCALE 2:1

SHEET 1 OF 1

REV D1