

MicroModule PS/2 Data Sheet

PS/2 MicroModule for Rugged Mousing Applications

Features and Benefits

- Compact
- Durable
- Sealable design
- Easy to integrate
- Ultra-thin mounting profile

Description

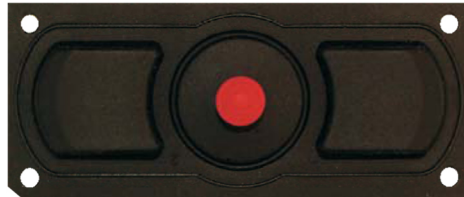
Both Mini Joystick and Finger Disk modules are dual click-button mousing devices designed for integration into tight, cramped spaces. The MicroModule is plug-and-play, utilizing standard mouse output. Several cabling options are available.



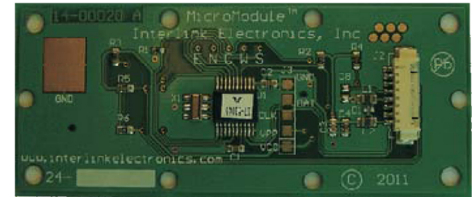
Gray Finger Disk Option



Black Finger Disk Option



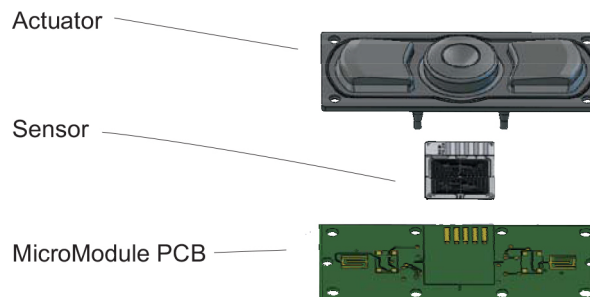
Mini Joystick Option



MicroModule Rear View

User Control Options

The touch of a fingertip on the MicroModule delivers simultaneous 360° control of cursor direction and speed. Choose from 2 actuators styles, either Mouse Button (round disk with a divot for a fingertip), or a Mini Joystick (a compact stick).



MicroModule PS/2 Data Sheet

PS/2 MicroModule for Rugged Mousing Applications

Device Characteristics

Keypad Options	Black finger disk, gray finger disk, black mini joystick, black finger disk fluorosilicone
Weight	15 grams or less
Operating Temperature Performance	Functional before, during, and after exposure to the below conditions:
Cold Dry	-25°C <=5%RH for 96 hours
Cold Humid	10°C 95%RH for 96 hours
Hot Dry	70°C <=10%RH for 96 hours
Hot Humid	70°C 95%RH for 96 hours
Storage Temperature Performance	Functional after 96 hours of exposure to the below conditions:
Cold Dry	-40°C <=5%RH
Hot Dry	85°C <=10%RH
Hot Humid	85°C 95%RH
Thermal Shock	Functional after 20 cycles of -40°C to 85°C with a 30 minute dwell time and 5 minute transitions
Finger Disk Lifetime Durability	>3.5 million actuations with 500g at 4Hz
Keypad Lifetime Durability	>1 million cycles with 500g at 4Hz
Drop Test	Dropped from 1 meter onto concrete on all six sides
Mechanical Shock	Comparable to MIL-STD-202, 80G accelerated in 11msec
Mechanical Vibration	Comparable to MIL-STD-202, Method 204, Condition A
Chemical Resistance	Keypad surface resistant to most common cleaners and spills for 24 hours. These include: water, soap, bleach, alcohol, ammonia NH4OH based window cleaner, acetic acid CH3COOH based cleaner, cola, coffee with sugar and creamer. Robust MicroModule with Fluorosilicone keypad is also resistant to a variety of oils, fuels, and solvents.
UL	All materials UL grade 94 V-1 or better
RoHS	Compliant

4-Zone Mouse Sensor Data Sheet

4-Zone FSR® and USB Microcontroller

Orderable Part Numbers

Hardware Development Kit, 54-00016

This Hardware Development Kit includes:

- MicroModule Demo with USB Cable (Qty. 1)
- Programmed Microchip PIC18F14K50 Microcontroller (Qty. 5)
- 4-Zone Mouse Sensor, Square (Qty. 5)
- 4-Zone Mouse Sensor, Square with conductive adhesive (Qty. 5)
- 4-Zone Mouse Sensor, Square with tail and solder tabs (Qty. 5)
- USB Flash drive with product literature (Qty. 1)

4-Zone USB Microcontroller,

PIC18F14K50, PN 54-00005

4-Zone Mouse Sensor, Square, PN

34-00002

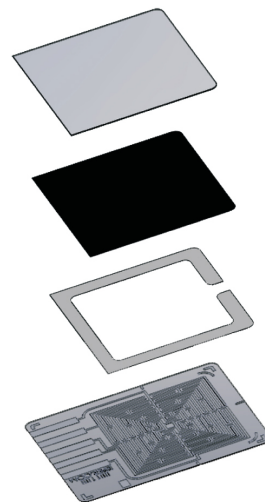
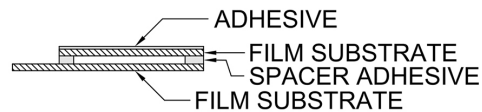
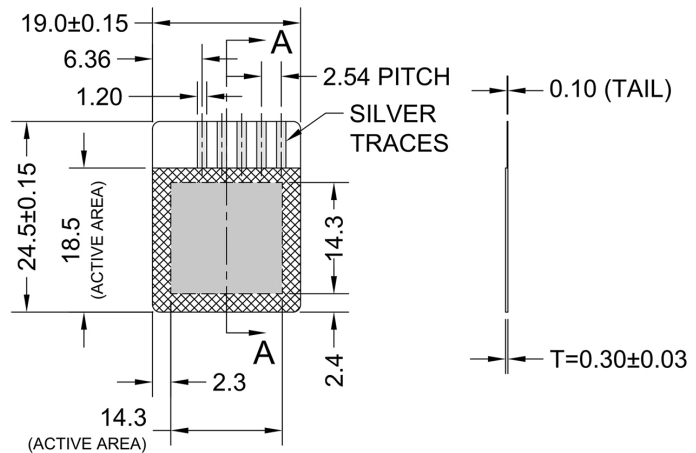
4-Zone Mouse Sensor, Square with

conductive adhesive, PN 30-79069

4-Zone USB Microcontroller,

PIC18F14K50 High Temperature, PN

24-00178



Contact Us

United States Corporate Office

Interlink Electronics, Inc.
31248 Oak Crest Drive
Suite 110
Westlake Village, CA 91361 USA
Phone: +1 (805) 484-8855
Fax: +1 (805) 484-9457
www.interlinkelectronics.com
Sales & Support: sales@iefsr.com