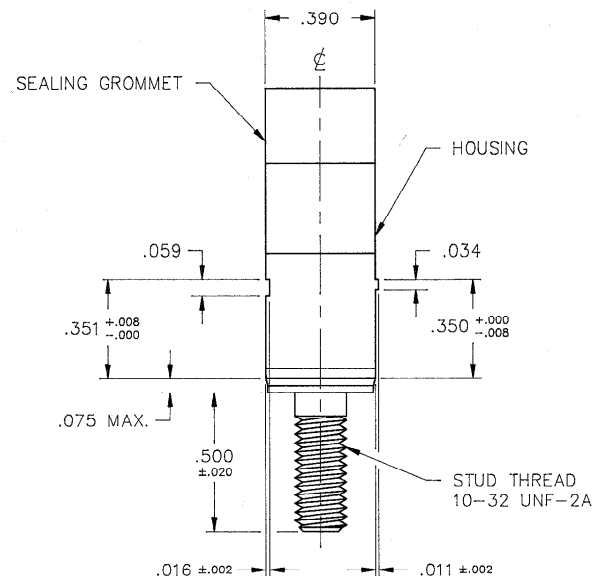
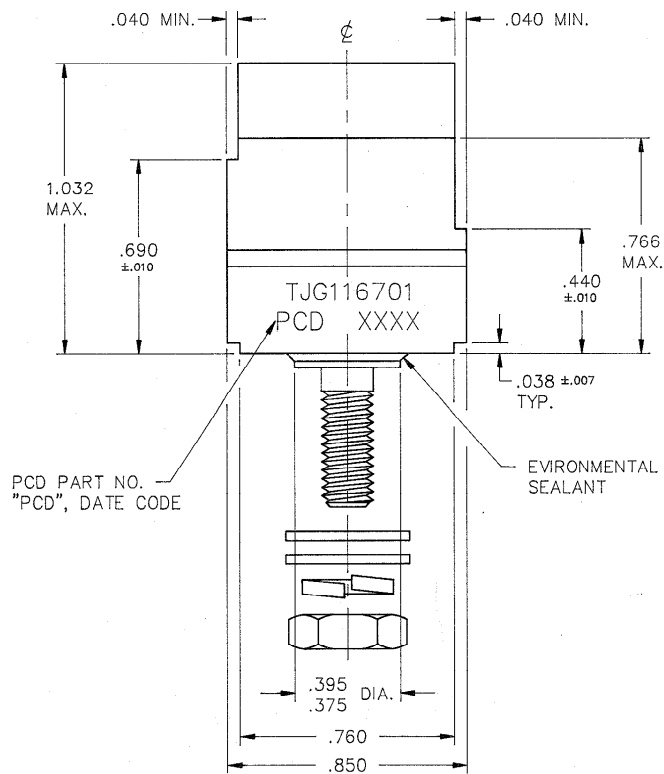
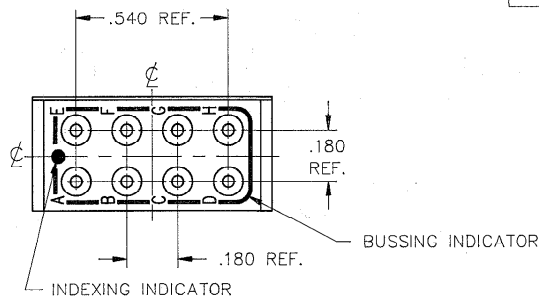


NOTES:

1. MODULE MEETS ALL REQUIREMENTS OF MIL-T-81714/27, CLASS D, EXCEPT AS SHOWN.
2. MODULE ASSEMBLY CONSTRUCTION:
 - A. HOUSING - GLASS FILLED PHENOLIC PER MIL-M-14F, TYPE MFH, COLOR: BLACK.
 - B. SEALING GROMMET - SILICONE PER ZZ-R-765, COLOR: BLUE.
 - C. INTERNAL SOCKET CONTACTS - COPPER ALLOY, GOLD PLATED PER MIL-G-45204, TYPE I, GRADE C, CLASS 1.
 - D. STUD - COPPER ALLOY, GOLD PLATED.
3. MODULE MARKING AND IDENTIFICATION IS FLUSH WITH SURFACES, COLOR: WHITE.
4. RECOMMENDED EXTERNAL PIN CONTACT SERVICE TOOLS:
 - A. CRIMP TOOL #M22520/1-01 WITH POSITIONER #M22520/1-02 BLUE.
 - B. INSTALLING/REMOVAL TOOL #M81969/14-03, PCD #CNA078002.
5. MODULE ACCEPTS:
 - A. MATING PIN CONTACTS #M39029/1-102, PCD #CNP037000.
 - B. SEALING PLUGS #MS27488-16, PCD #CNA032402.
6. (9) PIN CONTACTS AND (2) SEALING PLUGS SUPPLIED WITH EACH MODULE (PER NOTE 5).
7. MOUNTING HARDWARE SUPPLIED WITH EACH MODULE:
 - (2) FLAT WASHERS PER AN-960-10L.
 - (1) LOCK WASHER PFR MS35338-43.
 - (1) NUT PER MS35650-304.

REVISIONS				
REV	ECN	DESCRIPTION	DATE	APPD
-	1421	RELEASE	3/6/89	<i>APPD</i>



PCD PART NO. "PCD", DATE CODE

ENVIRONMENTAL SEALANT

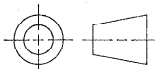
HOUSING

STUD THREAD 10-32 UNF-2A

TOLERANCES (INCHES)

.XX±
.XXX± .005
ANGLES±

THIRD ANGLE PROJECTION



DRWN M. CALLA 2/13/89

CHKD

ENGR

APPD

APPD 3/6/89

pcd
2 TECHNOLOGY DR. PEABODY, MA. 01960

TITLE TERMINAL JUNCTION GROUNDING MODULE - SIZE 16, CLASS D

SIZE CODE NO. DRAWING NO. REV

C 58982 TJG116701 -

SCALE: 3 : 1 SHEET 1 OF 1

AW 422046700

THIS DOCUMENT CONTAINS PROPRIETARY INFORMATION WHICH IS THE CONFIDENTIAL PROPERTY OF PRECISION CONNECTOR DESIGNS, INC.

ENG FILE COPY
DO NOT REMOVE FROM ROOM

NO FILE