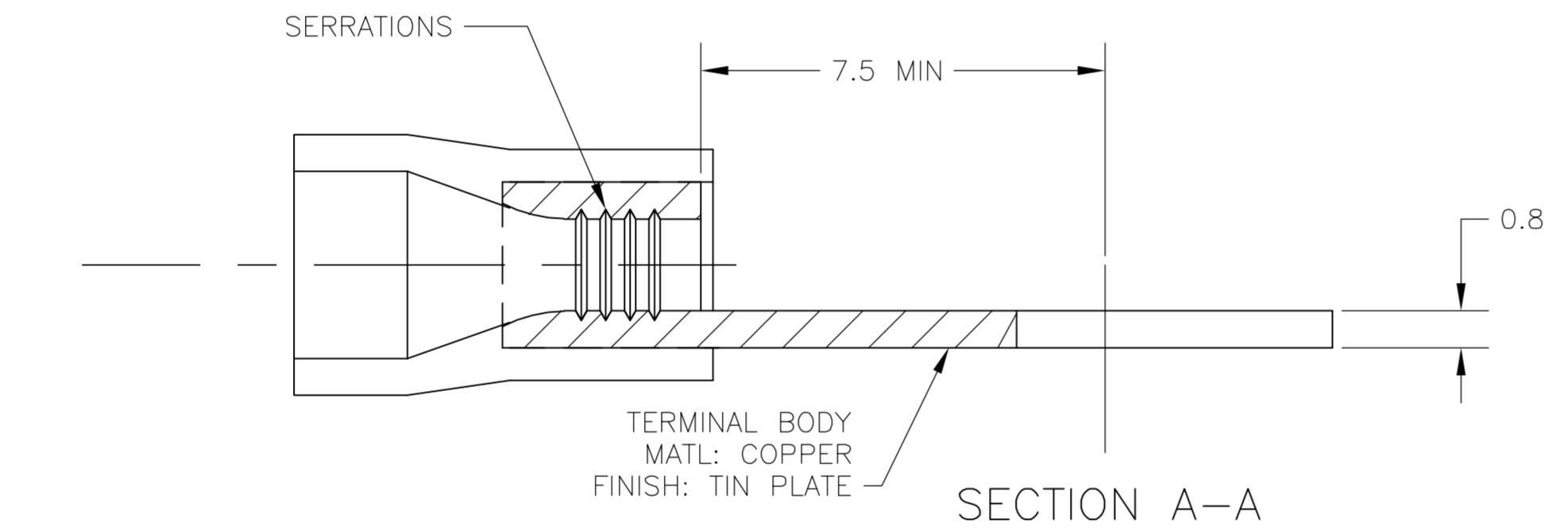
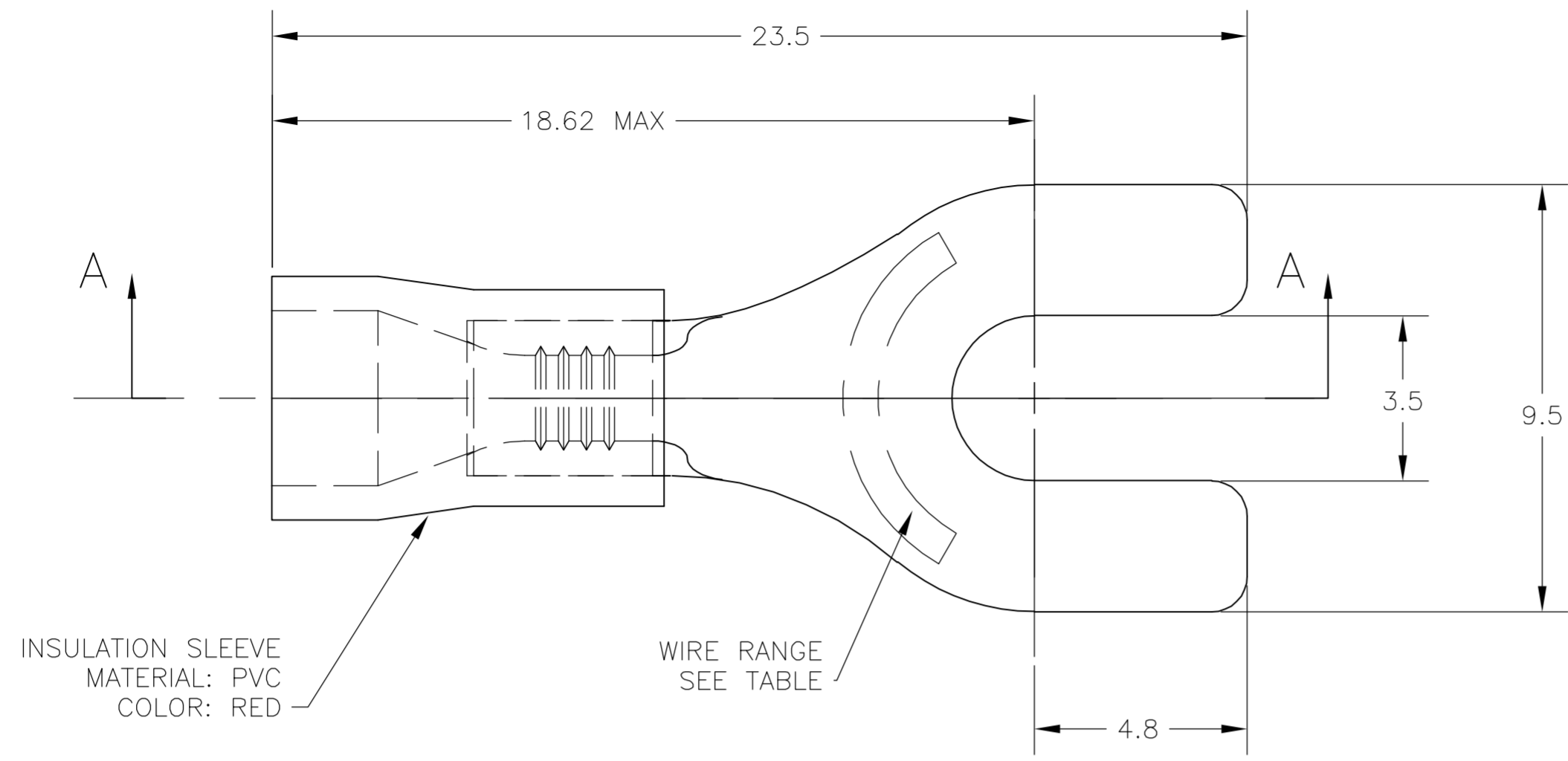


THIS DRAWING IS UNPUBLISHED. RELEASED FOR PUBLICATION
 © COPYRIGHT BY TYCO ELECTRONICS CORPORATION. ALL RIGHTS RESERVED.

LOC	DIST	REVISIONS			
P	LTR	DESCRIPTION	DATE	DWN	APVD
G	02	G2	REV PER ECR-06-001930	13FEB06	HMR TM



- 1 WIRE INSULATION O.D. 2.7-3.6
- 2 SUPERSEDED BY 342117-1

POLY BAG WITH HEADER	STANDARD	100	2	7-342117-1
PLASTIC BOX	STANDARD	100	2	6-342117-1
TAPED MOUNTED	STANDARD	5000		2-342117-1
PLASTIC BAG	STANDARD	1000		342117-1
PACKAGING	LABELLING	QTY RED		PART NO.

THIS DRAWING IS A CONTROLLED DOCUMENT.		DWN jr ruth 07AUG03	Tyco Electronics Corporation Harrisburg, Pa 17105-3608	
DIMENSIONS: INCHES		CHK T MICHIELUTTI 30AUG05		
TOLERANCES UNLESS OTHERWISE SPECIFIED:		APVD T MICHIELUTTI 30AUG05	NAME TERMINAL, SPADE, PLASTI-GRIP, WIRE SIZE: 22-16 AWG	
0 PLC ± - 1 PLC ± 0.5 2 PLC ± - 3 PLC ± - 4 PLC ± - ANGLES ± 1°		PRODUCT SPEC -	RESTRICTED TO -	
MATERIAL		APPLICATION SPEC -	SIZE A2	CAGE CODE 00779
FINISH		WEIGHT -	DRAWING NO 342117	
		CUSTOMER DRAWING		SCALE 5:1
		SHEET 1 OF 1		REV G2

342117