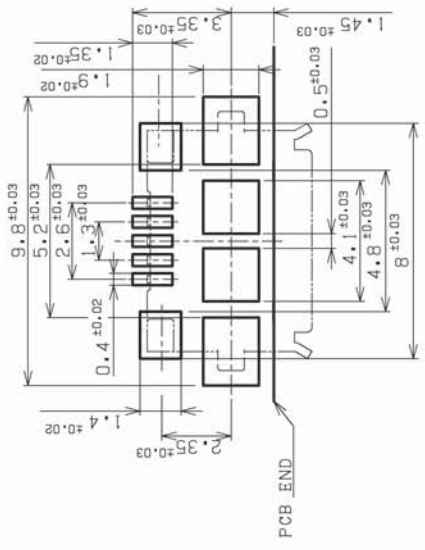
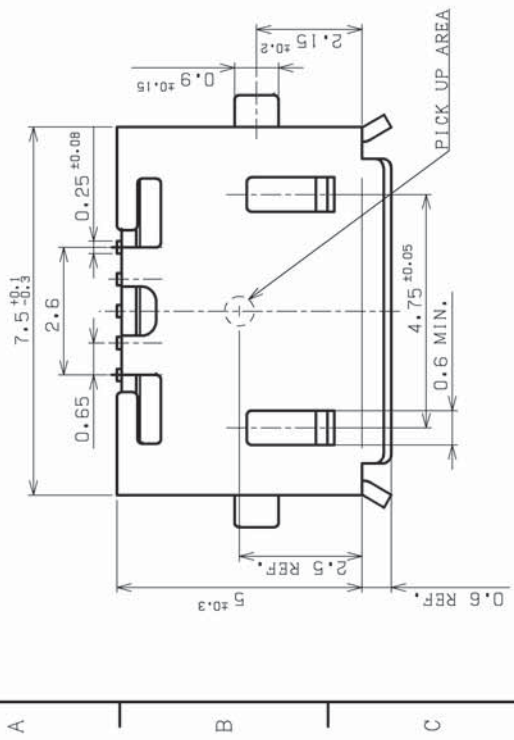
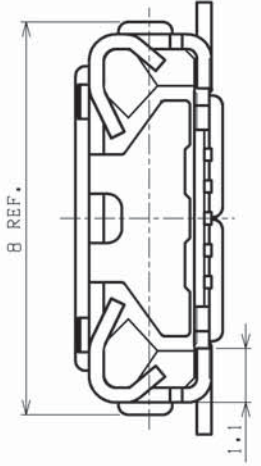
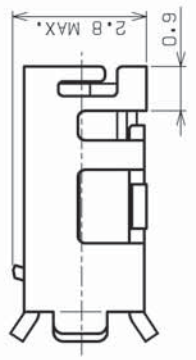
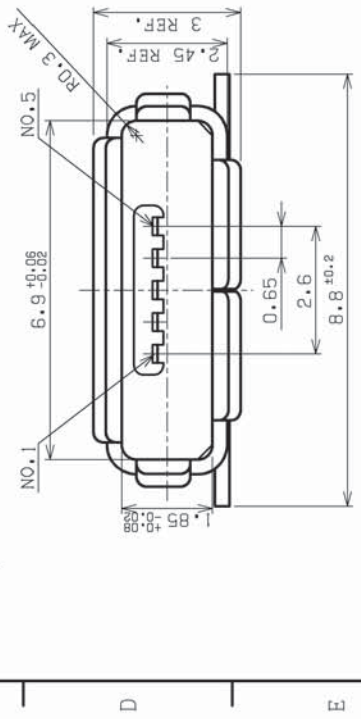


1 2 3 4 5 6 7 8

REV.	DESCRIPTION	DATE	DESIGNED
△			



PCB LAYOUT (REFERENCE)



NOTE 1: UNLESS OTHERWISE SPECIFIED TOLERANCE: ±0.3  
 2: SURFACE FINISH OF CONTACT :  
 OVER ALL : NICKEL UNDER PLATED  
 CONTACT POINTS: GOLD PLATED  
 SOLDER TAILS : GOLD PLATED  
 3: SURFACE FINISH SHELL  
 OVER ALL : NICKEL UNDER PLATED  
 TIN PLATED

3 SHELL	STAINLESS STEEL	NOTE 3	t=0.3	REMARKS
2 CONTACT	COPPER ALLOY	NOTE 2		
1 HOUSING	HEAT RESISTING RESIN	GRAY	UL-94V-0	
No.	PART NAME	MATERIAL	SURFACE FINISH	REMARKS
SIZE	SCALE	PROJECTION DATE	CUSTOMER	
A3	METRIC 10:1	14.FEB.2007		
APPROVED	CHECKED	DESIGNED	DRAWN	
S.U	T.U	Y.N	Y.N	
				SERIES NAME
				MicroUSB Receptacle AB type
				STANDARD
				PART No.
				UB-MC5ABR3-SD204-4S NMP
				DRAWING No.
				CT7-00350-210-1
				RD

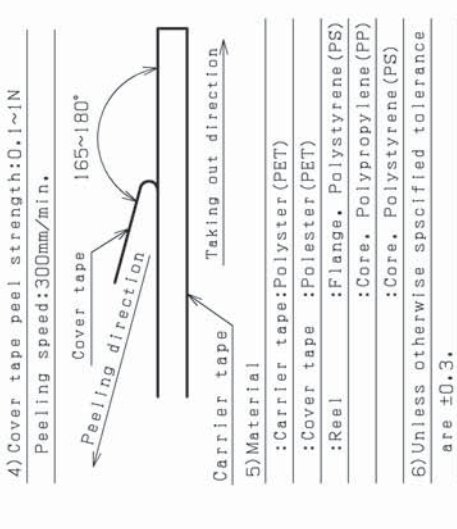
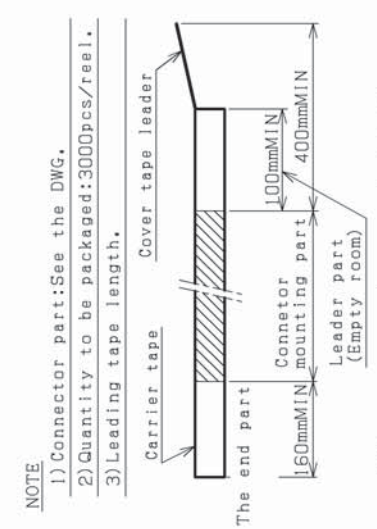
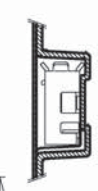
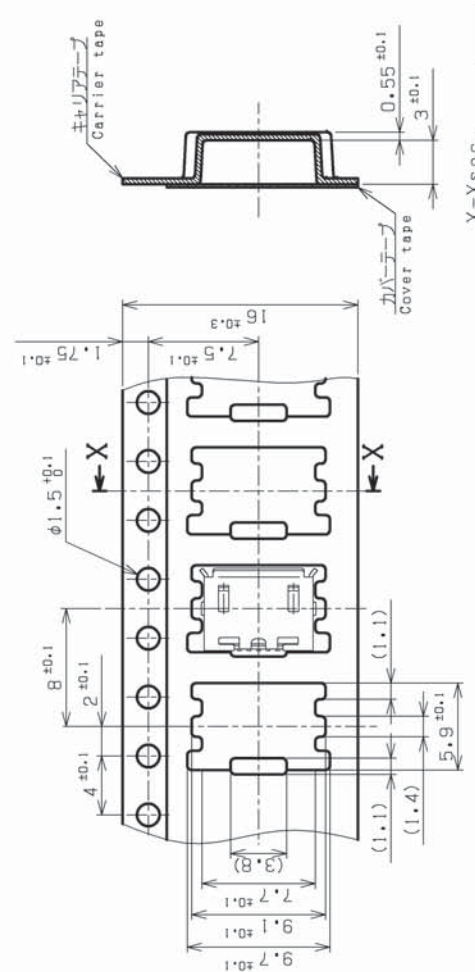
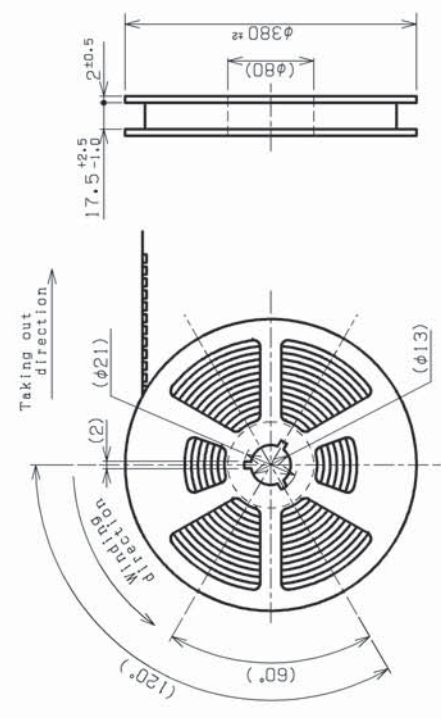


J.S.T.MFG.CO.,LTD

THIS DRAWING CONTAINS INFORMATION THAT IS PROPRIETARY TO J.S.T. AND SHOULD NOT BE USED WITHOUT WRITTEN PERMISSION.

EC4109-2

REV.	DESCRIPTION	DATE	DESIGNED
△			



NOTE

- Connector part: See the DWG.
- Quantity to be packaged: 3000 pcs/reel.
- Leading tape length.

4) Cover tape peel strength: 0.1~1N  
Peeling speed: 300mm/min.

5) Material  
: Carrier tape: Polyester (PET)  
: Cover tape: Polyester (PET)  
: Reel: Flange, Polystyrene (PS)  
: Core: Polypropylene (PP)  
: Core: Polystyrene (PS)

6) Unless otherwise specified tolerance are ±0.3.

SIZE	UNIT	SCALE	PROJECTION	DATE	CUSTOMER
A3	METRIC	FREE	1ST ANGLE	7. SEP. 2007	J.S.T. MFG. CO., LTD
APPROVED	CHECKED	DESIGNED	DRAWN		
S.U		Y.N	Y.N		
MICROUSB RECEPTACLE AB TYPE					
PART No. UB-MC5ABR-SD204-4S-TB					
DRAWING No. CT7-00350-G10					RO

THIS DRAWING CONTAINS INFORMATION THAT IS PROPRIETARY TO J.S.T. AND SHOULD NOT BE USED WITHOUT WRITTEN PERMISSION.

EG4109-2