

THIS DRAWING IS UNPUBLISHED.

RELEASED FOR PUBLICATION

- ,N/A .

© COPYRIGHT N/A BY TYCO ELECTRONICS CORPORATION. ALL RIGHTS RESERVED.

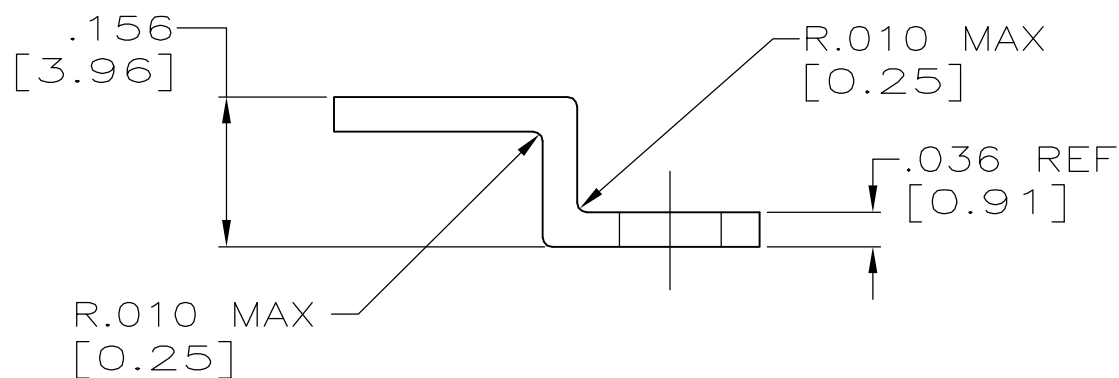
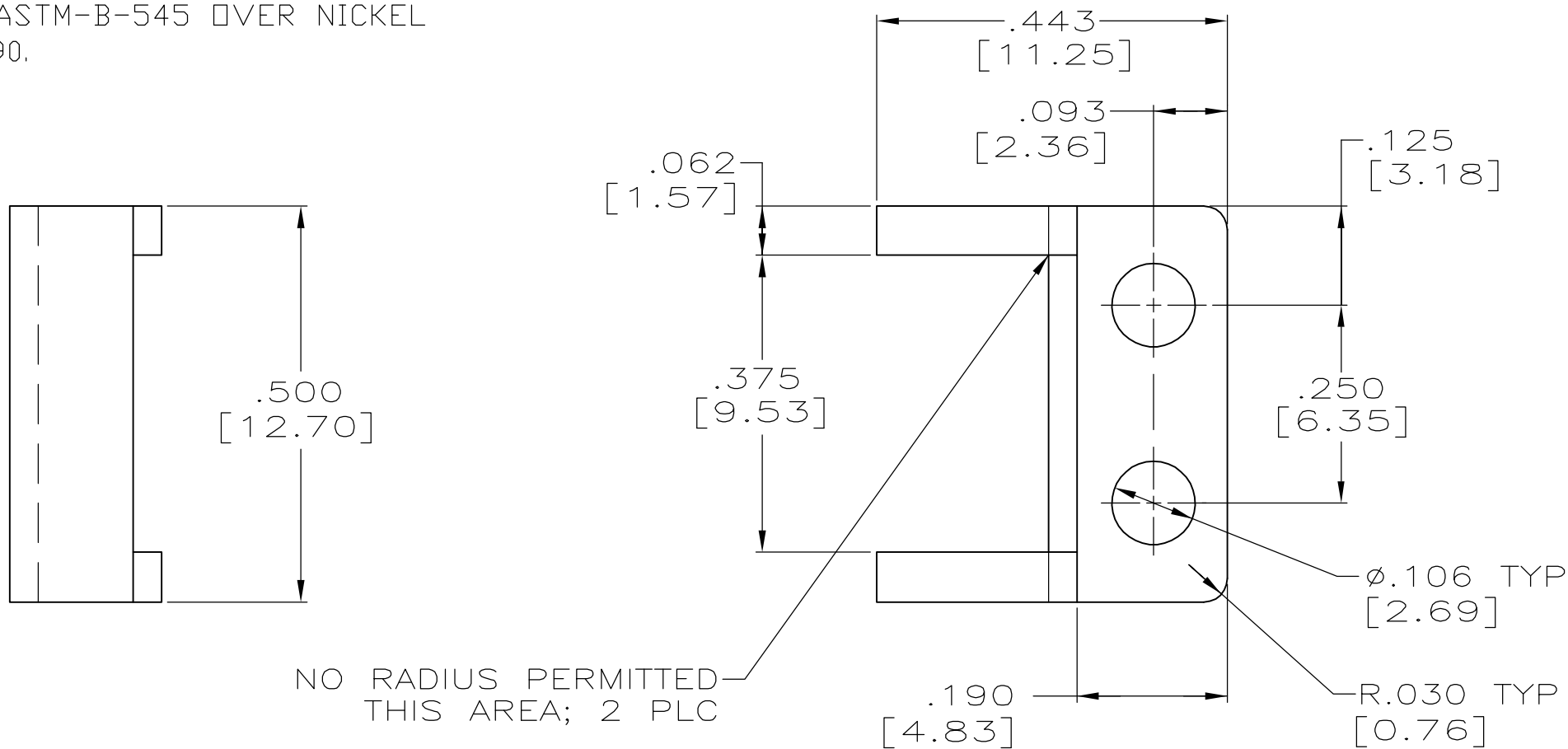
LOC DF DIST S0

REVISIONS

P	LTR	DESCRIPTION	DATE	DWN	APVD
	C	REV PER 0H14-0191-05	05-05	AA	DE

1 FINISH: 93/7 TIN LEAD OR TIN PER ASTM-B-545 OVER NICKEL PER AMS-QQ-N-290.

2 FINISH: TIN PER ASTM-B-545 OVER NICKEL PER AMS-QQ-N-290.



2	5-861214-2
1	861214-2
FINISH	PART NO.

THIS DRAWING IS A CONTROLLED DOCUMENT.		DWN C.C.THOMAS 28-APR-95	Tyco Electronics Corporation Harrisburg, Pa 17105-3608													
DIMENSIONS: INCHES		CHK D.WEYANDT 01-MAY-95														
TOLERANCES UNLESS OTHERWISE SPECIFIED:		APVD D.WEYANDT 01-MAY-95	NAME MOUNTING BRACKET													
<table border="1"> <tr><td>0 PLC</td><td>± -</td></tr> <tr><td>1 PLC</td><td>± -</td></tr> <tr><td>2 PLC</td><td>± -</td></tr> <tr><td>3 PLC</td><td>± .010[0.25]</td></tr> <tr><td>4 PLC</td><td>± -</td></tr> <tr><td>ANGLES</td><td>± -</td></tr> </table>		0 PLC	± -	1 PLC	± -	2 PLC	± -	3 PLC	± .010[0.25]	4 PLC	± -	ANGLES	± -	PRODUCT SPEC -	SIZE A3	
0 PLC	± -															
1 PLC	± -															
2 PLC	± -															
3 PLC	± .010[0.25]															
4 PLC	± -															
ANGLES	± -															
MATERIAL CARBON STEEL 20GA PER QQ-S-698		FINISH SEE TABLE	APPLICATION SPEC -	CAGE CODE 00779												
		WEIGHT -	DRAWING NO C-861214	RESTRICTED TO -												
CUSTOMER DRAWING			SCALE 5:1	SHEET 1 OF 1												
			REV C													